

## ACCESSORIES AND SERVICES

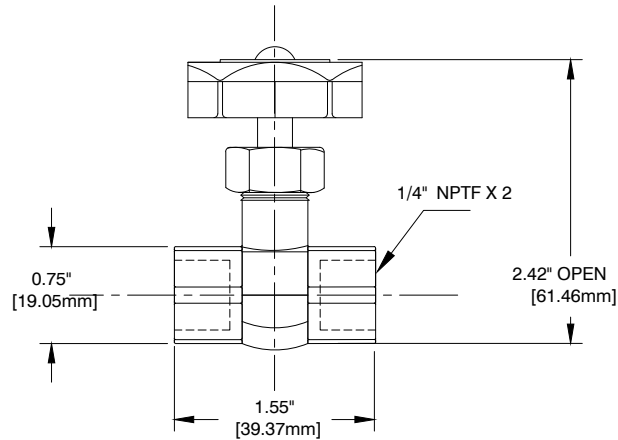
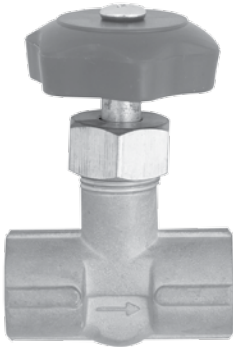
To order, use the code in the corresponding column

Accessories and services	Product code
Calibration certificate for gauge	CERT-M
Calibration certificate for used gauge	CERT-U
Calibration certificate for thermometer	CERT-T
Gauge protector 2 ½ in (63 mm)	GP250
Oxygen service	* OS
Polycarbonate lens with maximum red pointer for 4 in (100 mm)	400-MAX
Snubbers	See page A 7
Mini ball valve	See page A 4
Test plug (Pete's plug®)	See page A 6
Needle valve	See pages A 1 - A 2
Pigtail siphon	See page A 5
Cooling tower 316 stainless steel	See page A 3

\* Price according to size

### FORGED BRASS NEEDLE VALVE MODEL NV25FFB

Illustrated model: NV25FFB



#### Specifications

Housing:	Forged brass #59-1
Handle:	ABS red plastic
O-ring:	Rubber
Connection:	¼ in nptf x ¼ in nptf
Operating pressure:	0 to 400 psi / 0 to 2,758 kPa
Operating temperature:	-9 to 212°F / -23 to 100°C