

DISPLAYING ROOM TEMPERATURE

If the P5 parameter is set to display the temperature set point, the probe temperature can be displayed by pressing the DOWN ARROW key for two seconds until Pb1 is displayed. Next, hit the SET key. To return to the normal display, press SET key.

MANUAL DEFROST ACTIVATION/DEACTIVATION

To manually activate the defrost cycle, press the UP ARROW key for four seconds. This feature is disabled during heating operation.

PARAMETER LOCK OUT ACTIVATION/DEACTIVATION

The key pad lock out can be activated/deactivated by pressing the SET and DOWN ARROW keys simultaneously for two seconds. The display will flash Loc or UnL to signify the change in states.

ALARM BUZZER RESET

The audible alarm can be silenced by pressing any key.

RESTORING FACTORY DEFAULT SETTINGS

Factory settings can be restored by following the below procedure:

- Pressing the UP ARROW and DOWN ARROW keys for four seconds until PA is displayed
- Press the SET key
- Press the UP ARROW or DOWN ARROW to adjust the value to 743
- Press SET key
- Pressing the UP ARROW and DOWN ARROW keys for four seconds until dEF is displayed
- Press SET key
- Press the UP ARROW or DOWN ARROW to adjust the value to 149
- Press SET key
- Cycle the power after the flashing dEF goes away

Programming Device with Configuration Key

The Model 40X-K is not battery powered and requires that the device being programmed be powered. If a power source is not available, a 40X-PS power supply must be installed into the port on the edge of the key.



Copying Parameters to Configuration Key

- Cut off power to the temperature switch
- Connect the key to the temperature switch
- Turn on power to the temperature switch or connect the power supply to the key (LED on key will be green and the temperature switch will flash "CIn")
- Press and hold the SET button on the temperature switch for 4 seconds (display will flash "St")
- Release the SET button on the temperature switch, the press and hold the SET button again for 4 seconds. ("St" on display will stop flashing and the LED on the key will turn red)
- Do not disconnect the key while the LED is red, as it is copying the parameters
- After LED on key returns to green, it is okay to disconnect the key. (If using 40X-PS power supply, disconnect the power supply before disconnecting the key)

Copying Parameters to Temperature Switch

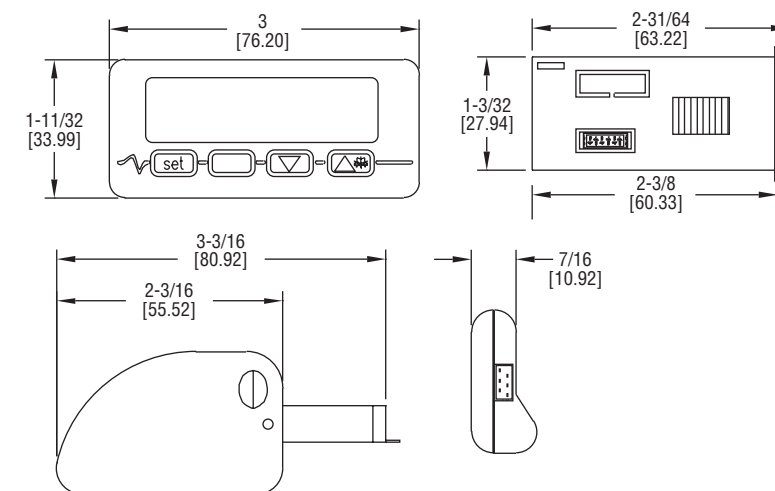
- Cut off power to the temperature switch
- Connect the key to the temperature switch
- Turn on power to the temperature switch or connect the power supply to the key (LED on key will be green and the temperature switch will read "CIn")
- Press and hold the button on the configuration key
- After one second release the button on the key. Parameters will be copied from the key to the temperature switch. (LED will turn red)
- The display on the temperature switch will read "PrG" and the LED will turn green once the temperature switch has been programmed successfully.
- Do not disconnect the key while the LED is red, as it is copying the parameters
- After LED on key returns to green, it is ok to disconnect the key. (If using 40X-PS power supply, disconnect the power supply before disconnecting the key)

DISPLAY MESSAGES

Out 1 solidly lit	Output 1 is active
Out 1 flashing	Either modification of set point or call for load during load protection (C1 or C2)
	Defrost cycle is active
	Alarm condition is present
°C	Temperature is measured in °C
°F	Temperature is measured in °F
Loc	Key pad is locked
Pr1	Probe 1 error

MAINTENANCE, CLEANING AND REPAIR

After final installation of the unit no routine maintenance is required. Clean the surface of the display controller with a soft and damp cloth. Never use abrasive detergents, petrol, alcohol or solvents. A periodic check of the system calibration is recommended. The Series 40T/40M is not field serviceable and should be returned if repair is needed (field repair should not be attempted and may void warranty). Be sure to include a brief description of the problem plus any relevant application notes. Contact customer service to receive a return goods authorization number before shipping.

**Series 40T/40M Digital Temperature Switch****Specifications - Installation and Operating Instructions**

The Series 40T/40M Digital Temperature Switch accepts a variety of inputs to allow temperature measurements and set points up to 1999°F (1300°C). Observing the current status of the control is made easier with the 3-1/2 digit, multi-color LED display that has alarm, defrost and output symbols. For added versatility, the temperature units can be field selected for °F or °C. For cooling applications, manual defrost mode can be initiated by pushing a single button. A flashing alarm informs users when the current temperature exceeds preset limits. When programming multiple units, a programming key is available to reduce set up time.

INSTALLATION

Note: Unit must be mounted away from vibration, impacts, water and corrosive gases.

- Cut hole in panel 71 x 29 mm (2.80 x 1.14 in)
- Apply silicone around the perimeter of the hole to prevent leakage
- Insert unit into hole from the front side of the panel
- Slide the mounting bracket securely against the panel from the rear of the unit
- Wiring diagram is displayed on top of the control

ADJUSTING PARAMETER VALUES

- In order to change the parameter values, follow the procedure below:
- Press UP ARROW and DOWN ARROW simultaneously for four seconds until PA is displayed
 - Press SET
 - Use UP ARROW or DOWN ARROW to adjust value to -19
 - Press SET
 - Press UP ARROW and DOWN ARROW simultaneously for four seconds until SP is displayed
 - Use UP ARROW or DOWN ARROW to cycle through parameters
 - Press SET to view value of parameter
 - Use UP ARROW or DOWN ARROW to adjust value of parameter
 - Press SET to store value
 - Press UP ARROW and DOWN ARROW simultaneously for four seconds to exit menu

SPECIFICATIONS

Range: Current: -1999 to 1999;

Voltage: -1999 to 1999;

K T/C: -140 to 1999°F (-100 to 1300°C);

J T/C: -140 to 1450°F (-100 to 800°C);

RTD: -320 to 1200°F (-200 to 650°C);

PTC: -58 to 300°F (-50 to 150°C);

NTC: -40 to 230°F (-40 to 110°C);

N. RTD: -110 to 570°F (-80 to 300°C).

Input: RTD thermocouple, thermistor current and voltage (depending on model).

Output: 16A @ 250 VAC SPDT relay (max current allowed is 10A).

Control Type: On/off.

Power Requirements: 12 to 24 VAC/VDC, 115 VAC or 230 VAC (depending on model).

Accuracy: ±1% F.S.

Display: 3-1/2 digit red display.

Resolution: 0.1°C.

Memory Backup: Non-volatile memory.

Temperature Limits: 32 to 131°F (0 to 55°C).

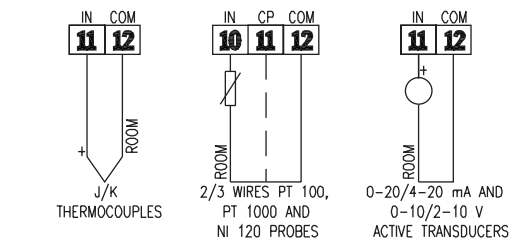
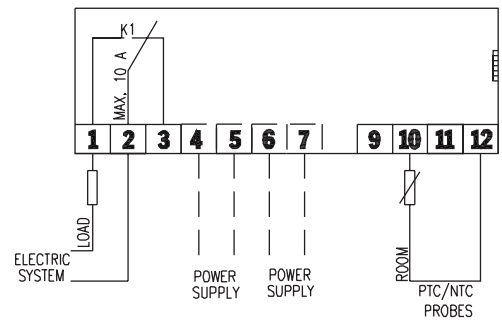
Weight: 2.3 oz (65 g).

Front Panel Rating: IP 65.

Agency Approvals: UL, CE.

WIRING

Avoid installing the temperature probe cables in close proximity of any power cables. If the length of the probe cables is longer than 100 meters, a recalibration adjustment may be made using the CA1 parameter.



PARAMETER LIST

Parameter	Description	Units	Range	Factory Setting
SP	Set point	Degrees	r1 to r2	0.0
CA1	Ambient probe adjustment	Degrees	-25 to 25	0.0
P0	Type of input probe	Option	0 to 13	0
P1	Decimal point position	Option	0 or 1	1
P2	Display units	Option	0 or 1	0
P3	Minimum process input value	Counts	-999 to 1999	-20
P4	Maximum process input value	Counts	-999 to 1999	80
P5	Value displayed during normal operation	Option	0 or 1	0
r0	Set point differential	Degrees	0.1 to 99.0	2.0
r1	Minimum set point value	Degrees	-199.0 to r2	0.0
r2	Maximum set point value	Degrees	r1 to 1999	350.0
r3	Set point locked	Option	0 or 1	0
r5	Cooling or heating	Option	0 or 1	1
C1	Minimum time between compressor starts	Minutes	0 to 240	0
C2	Minimum compressor stoppage time	Minutes	0 to 240	0
C3	Minimum on time of compressor	Seconds	0 to 240	0
C4	Off time of fault cycle	Minutes	0 to 240	10
C5	On time of fault cycle	Minutes	0 to 240	10
d0	Interval between defrost	Hours	0 to 99	8
d3	Duration of defrost cycle	Minutes	0 to 99	0
d4	Defrost on power up	Option	0 or 1	1
d5	Defrost delay upon power up	Minutes	0 to 99	0
d6	Display during defrost cycle	Option	0 or 1	1
A1	Alarm set point 1	Degrees	-199 to 1999	0.0
A2	Alarm delay for A1	Minutes	0 to 240	0
A3	Alarm 1 type	Option	0 to 4	0
A4	Alarm delay upon set point modification	Minutes	0 to 240	0
A5	Alarm set point 2	Degrees	-199 to 1999	0.0
A6	Alarm delay for A2	Minutes	0 to 240	0
A7	Alarm 2 type	Option	0 to 4	0
E9	Reserved for future use	None	None	None

PARAMETER DESCRIPTION

SP Sets ambient temperature set point between r1 and r2
 CA1 Ambient probe calibration adjustment
 P0 Type of input probe

40T	40M
0 = J type thermocouple	0 = PTC
1 = K type thermocouple	1 = NTC
2 = 3 wire Pt100 RTD	2 = J Type Thermocouple
3 = 2 wire Pt100 RTD	3 = K Type Thermocouple
	4 = 3 wires Pt 100
	5 = 2 wires Pt 100
	6 = 3 wires Pt 1000
	7 = 2 wires Pt 1000
	8 = 4-20 mA
	9 = 0-20 mA
	10 = 2-10 V
	11 = 0-10 V
	12 = 3 wires Ni 120
	13 = 2 wires Ni 120

P1 Position of decimal place
 P2 Display engineering units
 0 = °C
 1 = °F
 2 = No units
 P3 Minimum value for process input
 P4 Maximum value for process input
 P5 Value shown during normal operation
 0 = Probe temperature
 1 = Set point
 r0 Set point differential or hysteresis
 r1 Minimum value for set point
 r2 Maximum value for set point
 r3 Set point lock out
 0 = Unlocked
 1 = Locked
 r5 Selection of heating/cooling operation
 0 = Cooling
 1 = Heating
 C1 Minimum time between compressor starts
 C2 Minimum time compressor must remain off before being restarted
 C3 Minimum time compressor must remain on after being started
 C4 During probe error, time compressor is off
 C5 During probe error, time compressor is on
 d0 Interval of time between defrost cycles (if 0, defrost will never be activated)
 d3 Duration of defrost cycle
 d4 Start defrost cycle upon power up
 0 = No
 1 = Yes
 d5 Defrost delay time upon power up (d4 must be 1)
 d6 Temperature shown during defrost
 0 = Display probe temperature
 1 = Display probe temperature up to (set point + r0) if probe temperature is below (set point + r0) at activation of defrost cycle. Display probe temperature if the probe temperature is above (set point + r0) at activation of defrost cycle.
 A1 Alarm 1 temperature set point
 A2 Alarm 1 not activated unless temperature remains in alarm state for this time
 A3 Alarm 1 type
 0 = Alarm disabled
 1 = Absolute low alarm (A1)
 2 = Absolute high alarm (A1)
 3 = Deviation low alarm (SP - A1)
 4 = Deviation high alarm (SP + A1)
 A4 Temperature alarms not activated for this time after modifications to set point
 A5 Alarm 2 temperature set point
 A6 Alarm 2 not activated unless temperature remains in alarm state for this time
 A7 Alarm 2 type
 0 = Alarm disabled
 1 = Absolute low alarm (A1)
 2 = Absolute high alarm (A1)
 3 = Deviation low alarm (SP - A1)
 4 = Deviation high alarm (SP + A1)
 E9 Reserved