

TW10 Flanged Thermowell (Solid Machined)



WIKAI

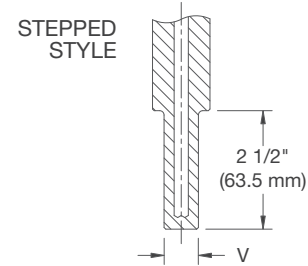
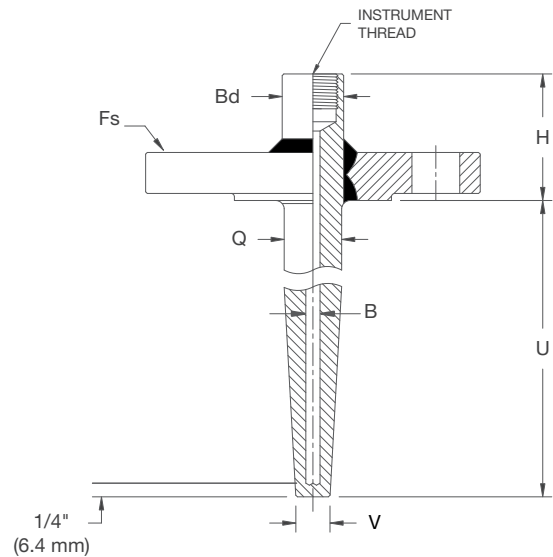
Part of your business

TW10 Flanged Thermowell

(solid machined)

Model TW10 thermowells are manufactured from solid bar stock for the stem and from a flange certified to ASME, EN or DIN. They are installed into the process using a bolted flanged connection. The methods for welding the flange to the stem are full penetration, partial penetration, or screwed and welded. The welding technique is determined by the specific service condition of the thermowell. This design of thermowell will accept thermocouples (TC), resistance temperature detectors (RTD), as well as mechanical and digital thermometers.

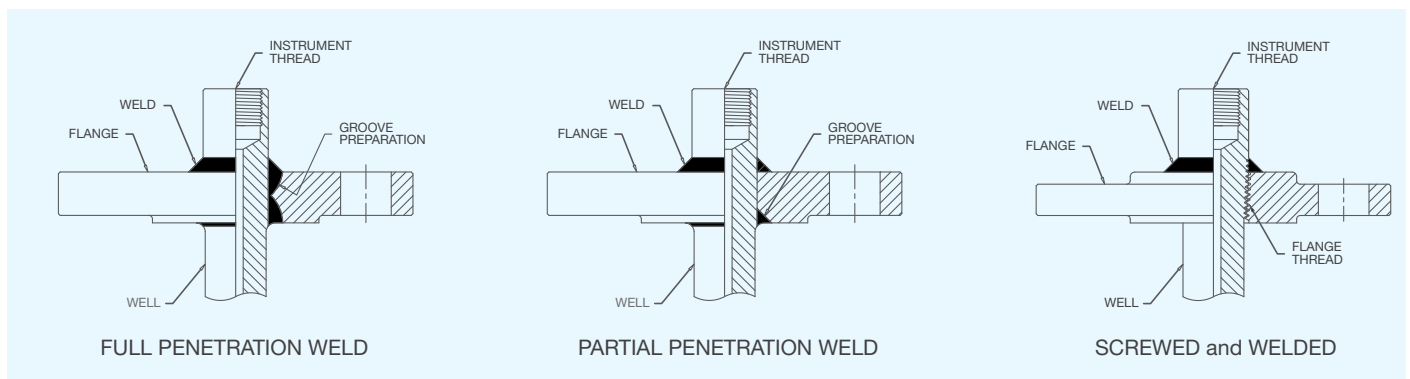
The dimension of the thermowell flange corresponds to the mating raised face diameter of the process flange. The flange surface finish is usually machined with a phonographic spiral serration to match the mating process flange. During installation a gasket is inserted between the process flange and the thermowell flange to maintain a pressure seal. The thermowell is then bolted to the process flange using the correct bolting torque forces for the bolt size and material.



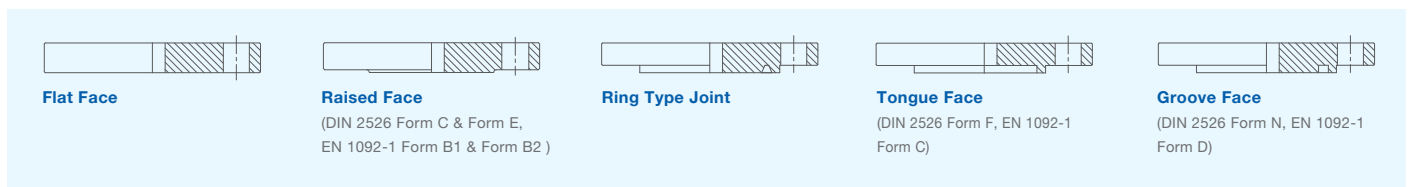
Applications:

- Chemical, process, apparatus and plant engineering; petrochemical; on/offshore
- High chemical loads
- High process loads

Welding Options



Flange Faces



Thermowells

TW10 Flanged Thermowell (Solid Machined)

Thermowell Style:	Tapered, Straight, or Stepped
Welding Options:	Full Penetration, Partial Penetration, or Screwed and Welded
Flange Size:	ASME 1 to 4 inch (DIN/EN DN 25 to DN 100)
Pressure Rating:	ASME up to 2500 psig (DIN/EN up to PN 100)
Flange Face:	To ASME B16.5 standards, DIN 2526/2527 and EN 1092-1
Insertion Length:	Up to 62 inch (1575 mm) for single piece construction
Bore Size:	0.244 to 0.702 inch (6.2 to 17.8 mm)
Bore Depth:	Up to 72 inch (1828 mm)
Electrical Approvals:	CSA, FM

- Options:
- Wake frequency calculations
 - Quality certificates
 - Specialized polymer or metallic coating of wetted parts
 - Stainless steel plug or cap with chain
 - Product tagging
 - Shot peening
 - Multi-piece construction for bore depths greater than 72 inch
 - Economical construction for exotic materials (stainless steel flange with washer disc)

Flanged Tapered



Flanged Straight



Flanged Stepped



Create your product part number by selecting the appropriate assembly items from each of the categories below. Enter the item code into the applicable box to generate the part number.

TW10



1 2 3 4 5 6 7 8 9 10 11

Part Number TW10-X-X-X-XXXXX-X-XXXXXXXXXXXXXXXXXXXX-XX

1 Welding options [W]

Code	
F	Full penetration welded
P	Partial penetration, fillet a=3 mm (minimum)
R	Partial penetration, fillet a=6 mm (minimum)
S	Screwed and welded
B	Screwed and welded both side of flange

2 Thermowell style

A	Tapered
B	Straight
C	Stepped

3 Unit of measure

I	Imperial
M	Metric

4 Flange size [Fs]

A	ASME 1 inch
B	ASME 1 1/4 inch
C	ASME 1 1/2 inch
D	ASME 2 inch
E	ASME 2 1/2 inch
F	ASME 3 inch
G	ASME 4 inch
I	EN 1092-1 DN 25
K	EN 1092-1 DN 40
L	EN 1092-1 DN 50
N	EN 1092-1 DN 80
P	EN 1092-1 DN 100
S	DIN 2526/2527 DN 25
U	DIN 2526/2527 DN 40
W	DIN 2526/2527 DN 50
Y	DIN 2526/2527 DN 80
1	DIN 2526/2527 DN 100

5 Pressure rating

D	Class 150
E	Class 300
F	Class 400
H	Class 600
J	Class 900
K	Class 1500
L	Class 2500
M	PN 6
P	PN 16
Q	PN 40
R	PN 63
S	PN 64
T	PN 100

6 Flange face

A	FF (flat face)
B	RF (raised face)
C	RTJ (ring type joint)
D	RFSF (raised face smooth finish)
E	DIN 2526 Form C
F	DIN 2526 Form E
G	DIN 2526 Form N
H	DIN 2526 Form F
K	EN 1092-1 Form B1
L	EN 1092-1 Form B2
M	EN 1092-1 Form C
N	EN 1092-1 Form D

7 Instrument connection

UD	1/2 NPT female
UF	1/2 NPT-CSA female
GF	1/2 NPSM
UE	3/4 NPT female
GD	G 1/2 B male
TD	G 1/2 female
GE	G 3/4 B male
TE	G 3/4 female
SD	M14 x 1.5 female
SG	M18 x 1.5 female
SI	M20 x 1.5 female
MC	M20 x 1.5 male
MK	M24 x 1.5 female
MJ	M24 x 1.5 male
TH	M27 x 2.0 female
MD	M27 x 2.0 male

8 Pipe schedule / Intern. nozzle dia.

2	Schedule 40 (Standard N.A.)
3	Schedule 80
1	Schedule 160
4	Schedule XXS
N	WIKA (Standard Germany)

9 Insertion length [U]

***** Please specify; maximum 62 inch (1575 mm) (e.g. 8.5 inch = 08500) (e.g. 240 mm = 00240)

10 Head length [H]

01770	1.77 inch
02250	2.25 inch
02360	2.36 inch
03250	3.25 inch
04250	4.25 inch
05250	5.25 inch
00045	45 mm
00057	57 mm
00060	60 mm
00083	83 mm
00102	102 mm
00108	108 mm
00133	133 mm
*****	Please specify (e.g. 3.5 inch = 03500) (e.g. 84 mm = 00084)

11 Flange material

G3	Stainless steel 316/316L
G1	Stainless steel 304/304L
F1	Carbon steel A105
G5	Stainless steel 310
G6	Stainless steel 321
G8	Stainless steel 347
G4	Stainless steel 316H
G2	Stainless steel 304H
H1	Carbon steel F11
H2	Carbon steel F22
H3	Carbon steel F5
H4	Carbon steel F9
H5	Carbon steel F91
B1	Inconel® 600
B2	Inconel® 601
B3	Inconel® 625
C1	Incoloy® 800H/HT
C2	Incoloy® 825
L7	Titanium grade II (3.7035)
D1	Monel® 400
E1	Nickel 200
E2	Nickel 201
A2	Hastelloy® C-276
A1	Hastelloy® B-2
A3	Hastelloy® C-4
I1	Stainless steel 410
L5	Stainless steel 1.4571
L6	Stainless steel duplex (1.4462)
L1	Carbon steel 1.7335 (13CrMo44)
L4	Carbon steel 1.5415(15Mo3/16Mo3)
L2	Carbon steel 1.7380 (10CrMo910)
L3	Carbon steel 1.0460 (C22.8)
S1	Hastelloy® C-4 / Stainless steel
S2	Hastelloy® C-276 / Stainless steel
S3	Monel® 400 / Stainless steel
S4	Nickel 200 / Stainless steel
S5	Nickel 201 / Stainless steel
S6	Titanium Grade II / Stainless steel

Note: Some configurations are unavailable.
Your WIKA sales person will notify you if you have made an incorrect selection



12

12 Bar material

G3	Stainless steel 316/316L
G1	Stainless steel 304/304L
F1	Carbon steel A105
G5	Stainless steel 310
G6	Stainless steel 321
G8	Stainless steel 347
G4	Stainless steel 316H
G2	Stainless steel 304H
H1	Carbon steel F11
H2	Carbon steel F22
H3	Carbon steel F5
H4	Carbon steel F9
H5	Carbon steel F91
B1	Inconel® 600
B2	Inconel® 601
B3	Inconel® 625
C1	Incoloy® 800H/HT
C2	Incoloy® 825
A5	Titanium Grade II
D1	Monel® 400
E1	Nickel 200
E2	Nickel 201
A2	Hastelloy® C-276
A1	Hastelloy® B-2
A3	Hastelloy® C-4
I1	Stainless steel 410
I2	Stainless steel 446
A4	Hastelloy® C-22
L6	Stainless steel duplex (1.4462)
L5	Stainless steel 1.4571
L1	Carbon steel 1.7335 (13CrMo44)
L4	Carbon steel 1.5415 (15Mo3/16Mo3)
L2	Carbon steel 1.7380 (10CrMo910)
L3	Carbon steel 1.0460 (C22.8)
F2	Carbon steel 1018

13

13 Bar diameter [Bd]

M	1.000 inch (25.4 mm)
N	1.125 inch (28.6 mm)
O	1.250 inch (31.8 mm)
P	1.315 inch (33.4 mm)
R	1.375 inch (34.9 mm)
S	1.500 inch (38.1 mm)
U	1.750 inch (44.5 mm)
W	2.000 inch (50.8 mm)
X	2.250 inch (57.2 mm)
Y	2.500 inch (63.5 mm)
G	2.750 inch (69.9 mm)
D	30 mm (1.181 inch)
A	32 mm (1.260 inch)
E	34 mm (1.339 inch)

14

14 Bore size [B]

E	0.244 inch (6.2 mm)
A	0.260 inch (6.6 mm)
F	0.276 inch (7.0 mm)
G	0.323 inch (8.2 mm)
M	0.335 inch (8.5 mm)
N	0.354 inch (9.0 mm)
B	0.385 inch (9.8 mm)
P	0.402 inch (10.2 mm)
R	0.433 inch (11.0 mm)
S	0.480 inch (12.2 mm)
C	0.512 inch (13 mm)
D	0.702 inch (17.8 mm)

15

15 Root diameter [Q]

0500	0.500 inch
0750	0.750 inch
0875	0.875 inch
1000	1.000 inch
1063	1.063 inch
0190	19 mm
0220	22 mm
0250	25 mm
0270	27 mm
****	Please specify (e.g. 1.5 inch = 1500) (e.g. 24 mm = 0240)

16

16 Tip diameter [V]

0500	0.500 inch
0625	0.625 inch
0750	0.750 inch
1000	1.000 inch
0127	12.7 mm
0160	16 mm
0190	19 mm
0220	22 mm
0250	25 mm
****	Please specify (e.g. 1.5 inch = 1500) (e.g. 24 mm = 0240)

17

17 RTD / TC / Thermometer assembly

1A	TR10 Industrial RTD assembly
1B	TC10 Industrial TC assembly
1C	TR15 Remote RTD assembly
1D	TC15 Remote TC assembly
1F	TR75 DiwiTherm®
YY	Dial Thermometer (Bimetal / Gas actuated)
ZZ	Without

18

18 Certificates

1	Quality certificates
Z	Without

19

19 Additional order details

T	Additional text
Z	Without

WIKA worldwide

North America

Canada

WIKA Instruments Canada Ltd.
Edmonton, Alberta
Tel.: (+1) 780 463 7035
Fax: (+1) 780 462 0017
E-mail: info@wika.ca
www.wika.ca

Mexico

Instrumentos WIKA México,
S.A. de C.V.
Álvaro Obregón
Tel.: (+52) 55 5020 5300
Fax: (+52) 55 5020 5301
E-mail: ventas@wika.com
www.wika.com.mx

USA

WIKA Instrument Corporation
Lawrenceville, Georgia
Tel.: (+1) 770 513 8200
Fax: (+1) 770 338 5118
E-mail: info@wika.com
www.wika.com

USA

WIKA Instrument Corporation
Electrical Temperature Division
Deer Park, Texas
Tel.: (+1) 713 475 0022
Fax: (+1) 713 475 0011
E-mail: info@wikaetemp.com
www.wika.com

South America

Argentina

WIKA Argentina S.A.
Buenos Aires
Tel.: (+54) 11 4730-1800
Fax: (+54) 11 4761-0050
E-mail: info@wika.com.ar
www.wika.com.ar

Brazil

WIKA DO BRASIL
Iperó - SP
Tel.: (+55) 15 3459 9700
Fax: (+55) 15 3266 1650
E-mail: marketing@wika.com.br
www.wika.com.br

Europe

Austria

WIKA Meßgerätevertrieb
Ursula Wiegand GmbH & Co. KG
Wien
Tel.: (+43) 1-8 69 16 31
Fax: (+43) 1-8 69 16 34
E-mail: info@wika.at
www.wika.at

Benelux

WIKA Benelux
Echt
Tel.: (+31) 475 53 55 00
Fax: (+31) 475 53 54 46
E-mail: info@wika.nl
www.wika.nl

Bulgaria

WIKA Bulgaria EOOD
Sofia
Tel.: (+359) 2 82138-10
Fax: (+359) 2 82138-13
E-mail: t.antonov@wika.bg
www.wika.bg

Finland

WIKA Finland Oy
Helsinki
Tel.: (+358) 9-682 49 20
Fax: (+358) 9-682 49 270
E-mail: info@wika.fi
www.wika.fi

France

WIKA Instruments s.a.r.l.
Eragny-sur-Oise
Tel.: (+33) 1/34 30 84 84
Fax: (+33) 1/34 30 84 94
E-mail: info@wika.fr
www.wika.fr

Germany - Head Office

WIKA Alexander Wiegand
GmbH & Co. KG
Klingenberg
Tel.: (+49) 9372 132-0
Fax: (+49) 9372 132-406
E-mail: info@wika.de
www.wika.de

Italy

WIKA Italiana SRL
Arese (Milano)
Tel.: (+39) 02-93 86 11
Fax: (+39) 02-93 86 174
E-mail: info@wika.it
www.wika.it

Poland

Kujawska Fabryka Manometrow
Wloclawek
Tel.: (+48) 54230 11 00
Fax: (+48) 54230 11 01
E-mail: info@manometry.com.pl
www.manometry.com.pl

Romania

WIKA Instruments Romania S.R.L.
Bucuresti
Tel.: (+40) 21-456 31 38
Fax: (+40) 21-456 31 37
E-mail: m.anghel@wika.ro
www.wika.ro

Russia

ZAO "WIKA MERA"
Moskau
Tel.: (+7) 495-648 01 80
Fax: (+7) 495-648 01 81
E-mail: info@wika.ru
www.wika.ru

Serbia

WIKA Merna Tehnika d.o.o.
Beograd
Tel.: (+381) 11 2763 722
Fax: (+381) 11-753 674
E-mail: info@wika.co.yu
www.wika.co.yu

Spain

Instrumentos WIKA, S.A.
Sabadell (Barcelona)
Tel.: (+34) 902 902 577
Fax: (+34) 933 938 666
E-mail: info@wika.es
www.wika.es

Switzerland

MANOMETER AG
Hitzkirch
Tel.: (+41) 41 919 72 72
Fax: (+41) 41 919 72 73
E-mail: info@manometer.ch
www.manometer.ch

Ukraine

WIKA Pribor GmbH
Donetsk
Tel.: (+38) 062 345-34-16
Fax: (+38) 062 345-34-17
E-mail: info@wika.donetsk.ua
www.wika.donetsk.ua

United Kingdom

WIKA Instruments Limited
Merstham, Redhill
Tel.: (+44) (0) 1737 644 008
Fax: (+44) (0) 1737 644 403
E-mail: info@wika.co.uk
www.wika.co.uk

Asia

China

WIKA International Trading
(Shanghai) Co., Ltd.
Shanghai
Tel.: (+86) 21 53 85 25 72
Fax: (+86) 21 53 85 25 75
E-mail: wikash@online.sh.cn

India

WIKA Instruments India Pvt. Ltd.
Wagholi, Pune
Tel.: (+91) 20-66293200
Fax: (+91) 20-66293325
E-mail: sales@wika.co.in
www.wika.co.in

Japan

WIKA Japan K.K.
Minato-ku, Tokyo
Tel.: (+81) 3-5439-6673
Fax: (+81) 3-5439-6674
E-mail: t-shimane@wika.co.jp

Kazakhstan

TOO WIKA Kazakhstan
Almaty
Tel.: (+7) 3272 33 08 48
Fax: (+7) 3272 78 99 05
E-mail: info@wika.kz
www.wika.kz

Korea

WIKA Korea Ltd.
Seoul
Tel.: (+82) 2-869 05 05
Fax: (+82) 2-869 05 25
E-mail: info@wika.co.kr
www.wika.co.kr

Malaysia

WIKA Instrumentation (M) Sdn Bhd
Puchong, Selangor
Tel.: (+03) 80631080
Fax: (+03) 80631070
E-mail: info@wika.com.my
www.wika.com.my

Singapore

WIKA Instrumentation PTE. LTD.
Singapore
Tel.: (+65) 6844 55 06
Fax: (+65) 6844 55 07
E-mail: info@wika.com.sg
www.wika.com.sg

Taiwan

WIKA Instrumentation Taiwan Ltd.
Pinjen, Taoyuan
Tel.: (+886) 3 420 6052
Fax: (+886) 3 490 0080
E-mail: info@wika.com.tw
www.wika.com.tw

Africa/Middle East

Egypt

WIKA Alexander Wiegand
GmbH & Co. KG
Nasr City, Cairo
Tel.: (+20) 2-227 33 140
Fax: (+20) 2-227 33 140
E-mail: Ahmed.Azab@wika.de

Iran

WIKA Instrumentation Pars
Kish Ltd.
Tehran
Tel.: (+98) 21- 8852 6730 3
Fax: (+98) 21- 8875 7413
E-mail: info@wika.ir
www.wika.ir

South Africa

WIKA Instruments (Pty.) Ltd.
Gardenview, Johannesburg
Tel.: (+27) 11-621 00 00
Fax: (+27) 11-621 00 59
E-mail: sales@wika.co.za
www.wika.co.za

United Arab Emirates

WIKA Middle East FZE
Jebel Ali, Dubai
Tel.: (+971) 4-883 90 90
Fax: (+971) 4-883 91 98
E-mail: wikame@emirates.net.ae

Australia

Australia

WIKA Australia Pty. Ltd.
Rydalmere NSW
Tel.: (+61) 2 8845 5222
Fax: (+61) 2 9684 4767
E-mail: sales@wika.com.au
www.wika.com.au



Part of your business