

SERIES CLS2 | PROXIMITY CAPACITIVE LEVEL SWITCH

FEATURES/BENEFITS

- No moving parts permitting for no jams, no wear, nothing to break, and no maintenance
- Immune to external RF sources like walkie-talkies and cell phones as well as minimal interference with radio communication or other electronic systems
- Automatic calibration with no need to turn calibration pots, just push the calibration button or use an external magnet to activate the calibration without having to open the enclosure saving time
- Coat guard probe is not affected by sticky, dusty, or clingy materials that coat or build preventing false alarms with time delay prevents false alarms from material splashing, agitation, etc.
- Status indication via an ultra-high brightness external red LED switch status indicator, and internal indicators for power, sensor, and switch status that can be seen externally with window cap option (external LED on weatherproof model only)



APPLICATIONS

- Pulp and paper processing
- Chemical processing
- Food and beverage
- Plastics
- Mining

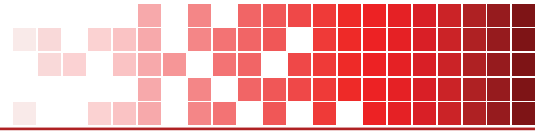
DESCRIPTION

The **SERIES CLS2** Capacitive Level Switches is a capacitive technology level switch which can be used for liquids, powders and bulk materials.

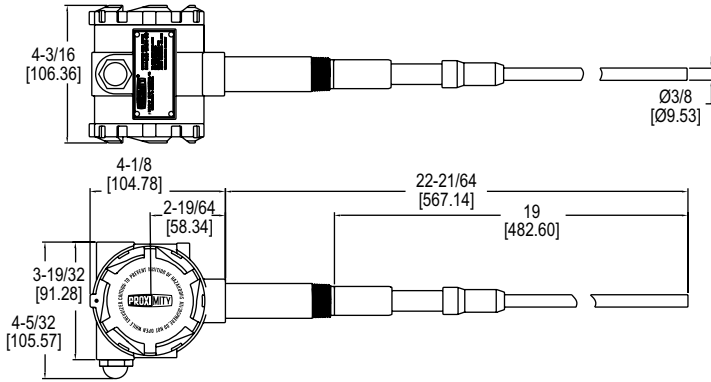
SPECIFICATIONS

Service	Liquids, powder and bulk materials compatible with wetted materials.
Wetted Materials	316 SS and polyvinylidene fluoride (PVDF).
Temperature Limits:	Ambient: -40 to 185°F (-40 to 85°C), -4 to 185°F (-20 to 85°C) with under 24 VAC/DC power supply; Process: -40 to 250°F (-40 to 121°C).
Pressure Limit	365 psi (25 bar).
Enclosure Rating	Weatherproof, NEMA 4X.
Switch Type	DPDT (two form C).
Electrical Rating	8 A @ 120/240 VAC res., 30 VDC. 1/2 hp @ 120 VAC and 1/4 hp @ 240 VAC ind.
Power Requirements	12 to 240 VAC/DC.
Power Consumption	2.8 Watts max.
Electric Connections	1/2" NPT conduit opening, screw termination and removable terminal block.
Process Connection	3/4", 1" or 1-1/2" NPT, BSPT or sanitary clamp options.
Mounting Orientation	Vertical or horizontal.
Set Point Adjustment	Trips when product touches probe. Cut or extend probe to length of desired trip point. Can be cut as short a 1" and can be extended by welding on to probe. (Minimum length will be effected by material being sensed.)
Mounting Orientation	Trips when product touches probe. Cut or extend probe to length of desired trip point. Can be cut as short a 1" and can be extended by welding on to probe. (Minimum length will be effected by material being sensed.)
Response Time	0.2 seconds.
Time Delay	Adjustable, 0 to 60 seconds.
Spark/Static Protection	10 M Ohm dissipation resistance with spark gap. Surge current to 100A max.
Sensitivity	8 selectable settings, 1, 2, 4, 6, 8, 10, 14, 20 pF (at 30 pF nominal free capacitance).
Agency Approvals	CE, cULus.

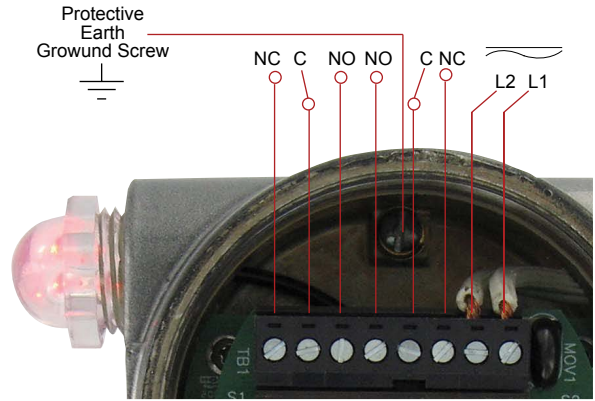




DIMENSIONS

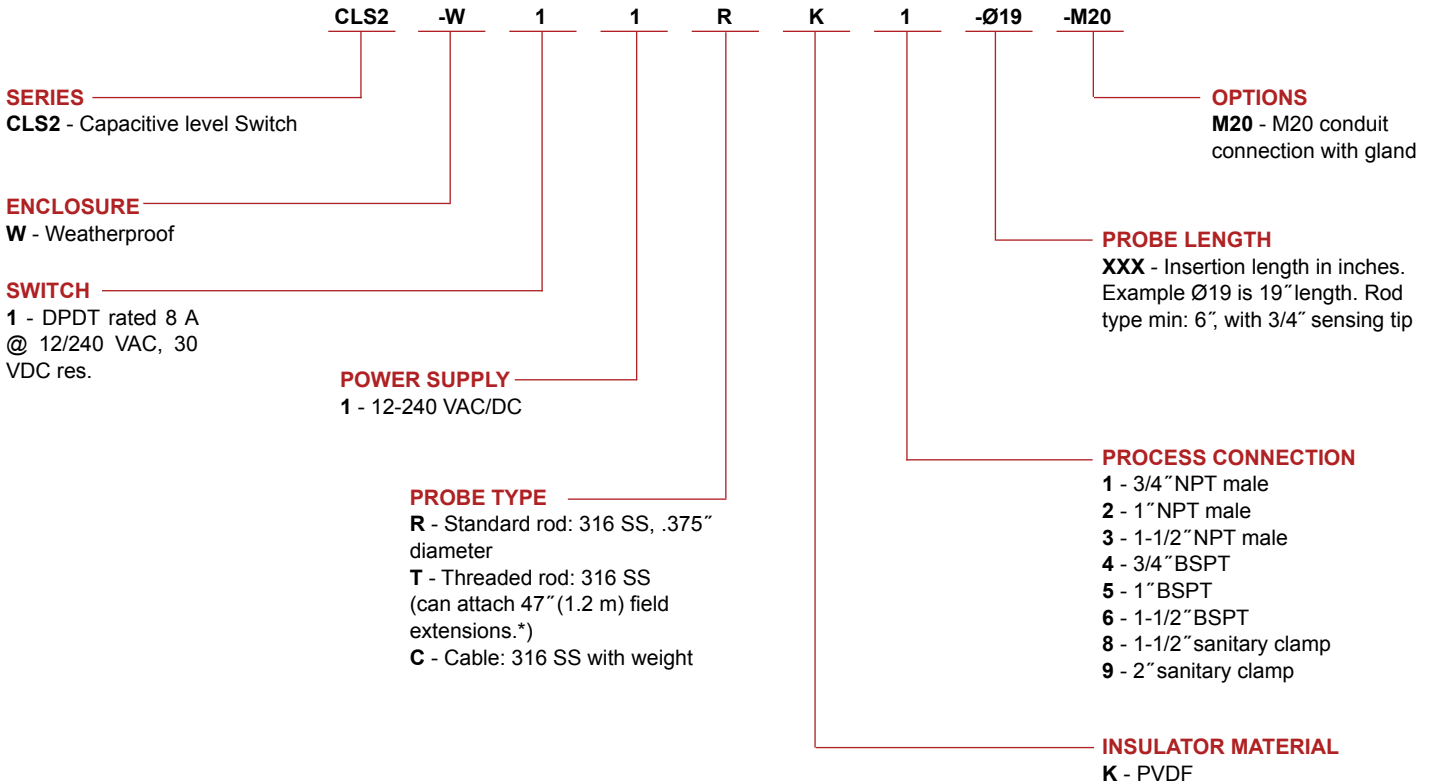


WIRING DIAGRAM



HOW TO ORDER

Use the **bold** characters from the chart below to construct a product code.



Important Notice: Dwyer Instruments, Inc. reserves the right to make changes to or discontinue any product or service identified in this publication without notice. Dwyer advises its customers to obtain the latest version of the relevant information to verify, before placing any orders, that the information being relied upon is current.

