

PRINCIPAL APPLICATIONS

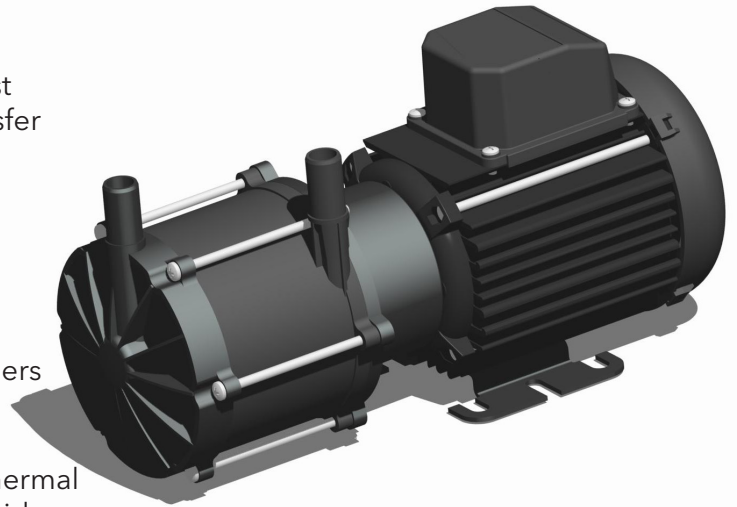
Specifically developed for applications requiring cost effective high head, continuous low flow for the transfer and recirculation of water and glycol solutions.

WETTED MATERIALS

- Brass spindle
- Nitrile 'O' ring
- PP/PPS pump housing
- Alumina ceramic graflon loaded PTFE thrust washers

FEATURES

- Magnetic couplings provide an energy efficient thermal shield, minimising heat transfer to the pumped fluids
- Variable pump body orientation
- Adaptable mounting foot positions
- Compatible with standard fittings
- IPX5 motor enclosure
- Deep groove ball bearings



OPTIONS

GP20/22

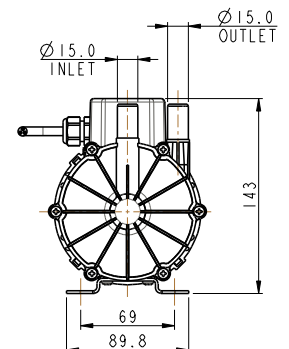
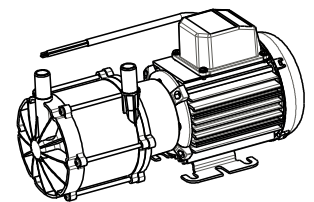
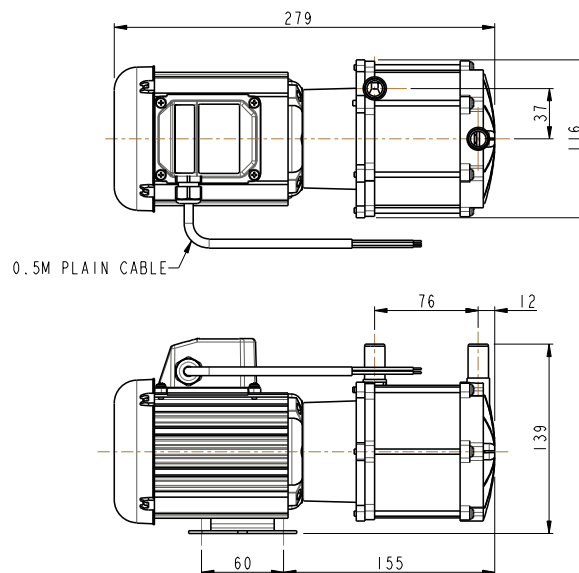
230V 1PH 50Hz

Port Details

Plain 15mm

DIMENSIONS

Drawings not to scale
Dimensions in millimetres

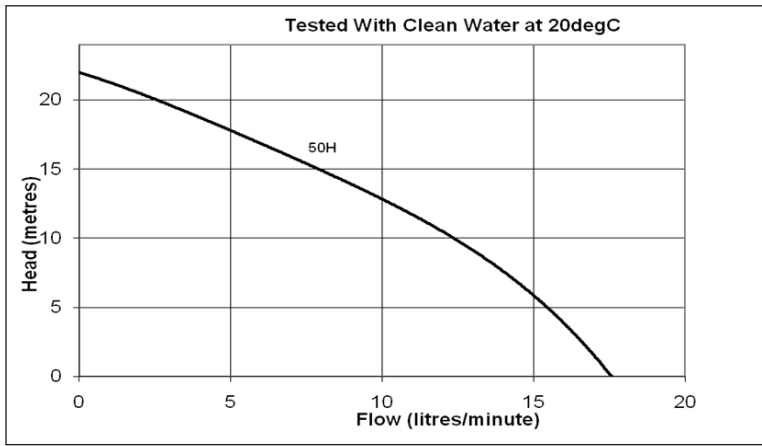


SPECIFICATION

Model	Overall height (mm)	Overall length (mm)	Overall width (mm)	Weight (kg)	Max body pressure (bar)	Run-out flow rate (l/min)	Closed valve head (m)	Temp range (degC)	*Max specific gravity	Motor output (watts)
GP20/22	143	279	116	3.7	2.5	17.5	22.0	-20 to +85	1.2	110

*Assuming maximum viscosity of 30cp. Refer to Totton Pumps for higher viscosities and specific gravities

PERFORMANCE



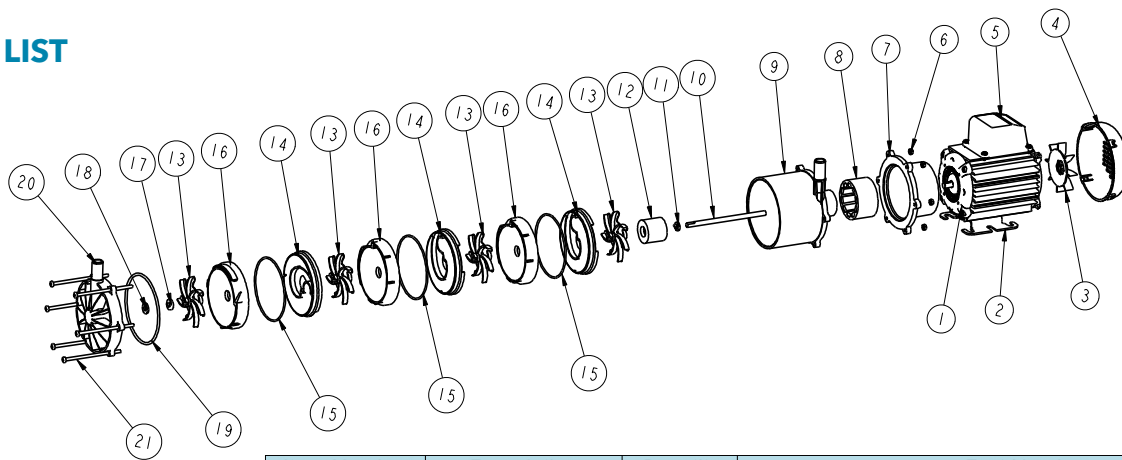
NOTE: These magnetically coupled pumps are designed for use with clean fluids.

Solids will cause jamming. Abrasives will reduce pump life and invalidate the warranty.

GP pumps are not self priming and are not designed to run dry.

The company reserves the right to change specifications.

PART LIST



Item Number	Description	Quantity	Part Number		
1	Motor	1	126884 (230V)		
2	Mounting Foot	1	036330		
3	Fan	1	046033		
4	Fan Cowl	1	036085		
5	Terminal Box	1	036078		
6	Nut	6	032015		
7	Adaptor	1	026217		
8	Drive Magnet	1	046319		
9	Pump Body	1	036398 (plain ports)	TBC (threaded ports)	
10	Spindle	1	036399		
11	Thrust Washer	1	026208		
12	Driven Magnet	1	033293		
13	Impeller	4	026238		
14	Inter-Stage	3	036367		
15	O ring	3	022056 (EPDM)	031515 (Nitrile)	022055 (Viton)
16	Stage Element	3	036368		
17	Ceramic Washer	1	026252		
18	Thrust Washer	1	026249		
19	O Ring	1	022059 (EPDM)	022057 (Nitrile)	022058 (Viton)
20	Front Cover	1	026225 (plain ports)		026235 (threaded ports)
21	Screw	6	031064		

xylem
Let's Solve Water

www.xyleminc.com

UK
Xylem
Bingley Road, Hoddesdon
Hertfordshire EN11 0BU
Tel: +44 (0) 1992 450145
Fax: +44 (0) 1992 467132

USA
Xylem
100 Cummings Center Drive
Suite 535-N, Beverly, MA 01915
Tel: +1 978 281-0440
Fax: +1 978 283-2619

ITALY
Xylem
Via Tommaseo, 6
20059 Vimercate, Milano
Tel: +39 039 685 2323
Fax: +39 039 666 307

GERMANY
Xylem
Oststrasse 28
22844 Norderstedt
Tel: +49-40-53 53 73-0
Fax: +49-40-53 53 73-11

JAPAN
Xylem
3-21-10, Shin-Yokohama
Kohoku-Ku, Yokohama, 222-0033
Tel: +81-045-475-8906
Fax: +81-045-477-1162

Warranty: All products of the company are sold, and all services of the company are offered subject to the company's warranty and terms of sale, copies of which will be furnished upon request. Details correct at time of printing. We reserve the right to change specifications without prior notice.