



BevJet® 5000 Series

BAG-IN-BOX DISPENSE SYSTEM

Flojet's New BEVJET®

Bag-In-Box Dispense System is designed for dispensing wine, juice, teas or liquor with alcohol content less than 15%. BEVJET® is ideal for beverage dispensing requiring frequent tube changes. The product dispenses safely through NSF Alcohol approved tubing and cleaning is as simple as replacing a tube. BEVJET senses when beverage box is empty and automatically shuts down. It restarts automatically when full supply is reconnected. The compact design enables mounting in tight spaces such as cabinets, carts, or most other under counter situations.

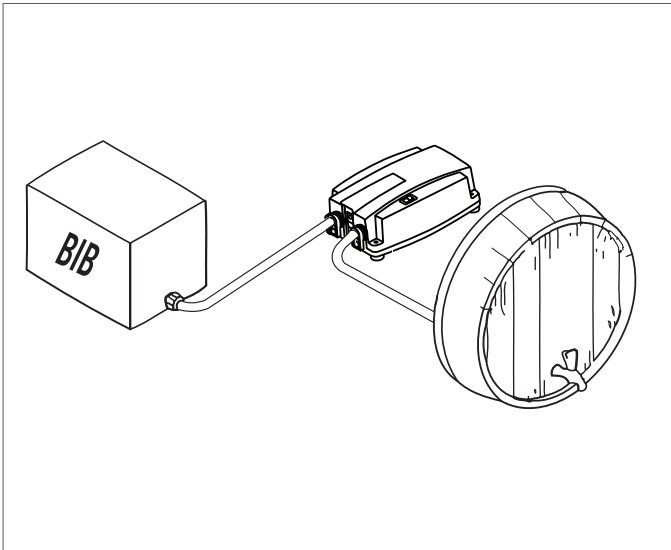
Features and Benefits

- Attractive appearance, can be installed anywhere.
- Vacuum switch - automatically shuts down the unit when the bag is empty and restarts the unit when a new bag is attached.
- NSF certification - ensures compliance with approved piping and fittings.
- Clearly identified "In" and "Out" ports with quick disconnects allow hose replacements in seconds.
- Flojet electric diaphragm pumping technology - ensures run dry capability, allowing for a long, trouble free service life.
- Thermal protection - avoiding costly service fees and peace of mind.
- Long life motor - outperforms many competitors by 400%.



FLOJET
a xylem brand

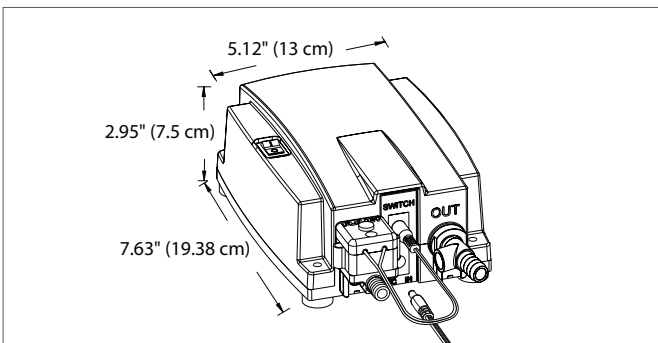
Typical Beverage Installation



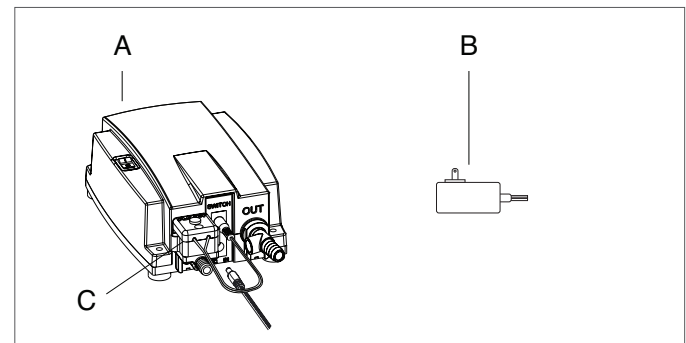
Specifications

Flow Rate	0.6 GPM (2.27 LPM)
Max Pressure	40 psi (2.76 bar)
Dimensions	2.95" H X 5.12" W X 7.63" L (7.50 cm H X 13 cm W X 19.38 cm L)
Voltage VAC	115, 230
Amp Draw	115V AC, 0.4 amp max 230V AC, 0.2 amp max
Cycles	AC 50/60 Hz
Weight	2 lb (.907 Kg)
Ingress Protection Rating	IPX4
Inlet Port	9.5 mm (3/8") BARB
Outlet Port	9.5 mm (3/8") BARB
Viscosity	Pump is not intended to pump media with particulates such as pulp

Overall Dimensions



Kit Includes



A. Pump Module with On/Off Rocker Switch, 6 ft (1.8 m) Cord B. Wall Transformer
C. Vacuum Switch

Model Number	Voltage	Flow Rate	Max Pressure	Power Adapter Type	Compliance
BIB5000A	115V	0.6 GPM (2.27 LPM)	40 psi (2.76 bar)	US Plug	NSF, UL
BIB5002A	230V	0.6 GPM (2.27 LPM)	40 psi (2.76 bar)	AU Plug	NSF, CE, RoHS
BIB5003A	230V	0.6 GPM (2.27 LPM)	40 psi (2.76 bar)	UK Plug	NSF, CE, RoHS
BIB5004A	230V	0.6 GPM (2.27 LPM)	40 psi (2.76 bar)	EU Plug	NSF, CE, RoHS



Warranty: All products of the company are sold and all services of the company are offered subject to the company's warranty and terms and conditions of sale, copies of which will be furnished upon request. The information provided herein is for guidance only, it does not constitute a guarantee of the performance or specification of any individual product or component.

www.xylem.com

USA
Xylem, Inc.
17942 Cowan
Irvine, CA 92614
Tel: (949) 608-3900
Fax: (949) 609-3887

UK
Xylem, Inc.
Bingley Road, Hoddesdon
Hertfordshire EN11 0BU
Tel: +44 (0) 1992 450145
Fax: +44 (0) 1992 467132

GERMANY
Xylem, Inc.
Oststrasse 28
22844 Norderstedt
Tel: +49-40-53 53 73-0
Fax: +49-40-53 53 73-11

CHINA
Xylem, Inc.
30/F, Tower A Hongqiao City Center of Shanghai
100 Zunyi Road, Shanghai 200051, China
Tel: +(86) 21 2208 2888
Fax: + (86) 21 2208 2999

ITALY
Xylem, Inc.
Via Tommaseo, 6
20059 Vimercate, Milano
Tel: +39 039 685 2323
Fax: +39 039 666 307