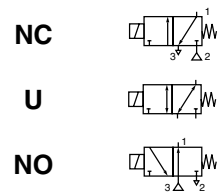




# SOLENOID VALVES

lever mechanism, fluid isolation  
with smooth spigots  
O.D. 8 - 11 mm



**3/2**  
Series  
**383**

## FEATURES

- Solenoid valves for medical analysers, biotechnology and chemical industry
- Ideal solenoid valves to control corrosive fluids
- The solenoid valves satisfy all relevant EC directives

## GENERAL

**Differential pressure** See «SPECIFICATIONS» [1 bar = 100 kPa]  
**Maximum viscosity** 37 cSt (mm<sup>2</sup>/s)  
**Response time** 25 ms

fluids (*)	temperature range (TS)	seal materials (*)
air, inert gases, filtered, water, oil and liquid fluids	-10°C to + 100°C	VMQ (silicone)
		FPM (fluoroelastomer)
		EPDM (ethylene-propylene)

## MATERIALS IN CONTACT WITH FLUID

(\*) Ensure that the compatibility of the fluids in contact with the materials is verified

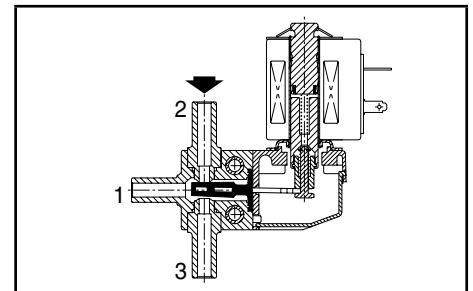
**Body** PEI (polyetherimide)  
**Poppet seal** VMQ, FPM or EPDM

## ELECTRICAL CHARACTERISTICS

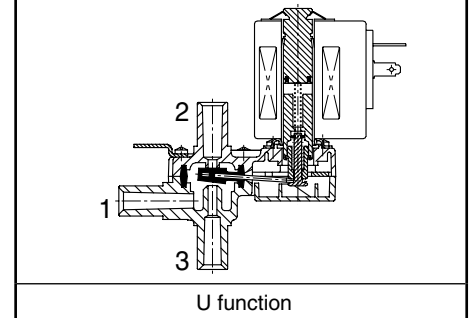
**Coil insulation class** F  
**Connector** Spade plug (cable Ø 6-8 mm or Ø 6-10 mm)  
**Connector specification**  
with coil 6W/6W (BMX) DIN 43650, 11 mm, industry standard B  
with coil 8W/9W (AMX) ISO 4400 / EN 175301-803, form A  
**Electrical safety** IEC 335  
**Electrical enclosure protection** Moulded IP65 (EN 60529)  
**Standard voltages** DC (=) : 12V - 24V  
(Other voltages and 60 Hz on request) AC (~) : 24V - 115V - 230V / 50 Hz (BMX = 50-60 Hz)

prefix option	power ratings				operator ambient temperature range (TS) (C°)	replacement coil		type <sup>(1)</sup>
	inrush	holding		hot/cold		~	=	
	~	(VA)	(W)	(W)		230 V/50 Hz	24 V DC	
SC	16	10	6	6	-10 to + 60	43005164	43005159	01 (BMX)
	23	14	8	9	-10 to + 60	43005149	43005144	02 (AMX)

<sup>(1)</sup> Refer to the dimensional drawings on the following page.



NC function



U function

## SPECIFICATIONS

spigot O.D.	spigot I.D. (mm)	flow coefficient Kv		min.	operating pressure differential (bar)		power coil (W)		catalogue number	options				
		(m <sup>3</sup> /h)	(l/min)		max. (PS)	air, inert gases, liquids (*)	~	=		~/=	FPM	EPDM		
<b>NC - Normally closed, VMQ seals</b>														
8	3,4	0,3	5,00	0	1	1	6	6	SCH383A003	V	E	-	-	
<b>NO - Normally open, FPM seals</b>														
8	3,4	0,3	5,00	0	2,5	2	6	6	SCH383A004V	-	-	-	-	
<b>NO - Normally open, EPDM seals</b>														
8	3,4	0,3	5,00	0	2,5	2	6	6	SCH383A004E	-	-	-	-	
<b>U - Universal, VMQ seals</b>														
11	3,2	0,3	4,66	0	1,5	1,5	8	9	SCH383A007	V	E	-	-	

01023GB-2011/R01 Availability, design and specifications are subject to change without notice. All rights reserved.

### OPTIONS

- Valves can also be supplied with FPM (fluoroelastomer) and EPDM (ethylene-propylene) poppet seal. Use the appropriate optional suffix letter for identification
- Plug with visual indication and peak voltage suppression or with cable length of 2 m

### INSTALLATION

- The solenoid valves can be mounted in any position without affecting operation. For optimum performance mount solenoid vertical and upright
- Replacement coils are available:  
 BMX: DC: 12 V, cat. no.: **43005158** / AC: 24 V, cat. no.: **43005161** ; 115 V, cat. no.: **43005162**  
 AMX: DC: 12 V, cat. no.: **43005143** / AC: 24 V, cat. no.: **43005146** ; 115 V, cat. no.: **43005147**
- Installation/maintenance instructions are included with each valve

### ORDERING EXAMPLES:

SC	H	383	A	003	12V / DC
SC	H	383	A	004 V	24V / DC
SC	H	383	A	007	230V / 50Hz

prefix — pipe thread — basic number — voltage — suffix

### DIMENSIONS (mm), WEIGHT (kg)



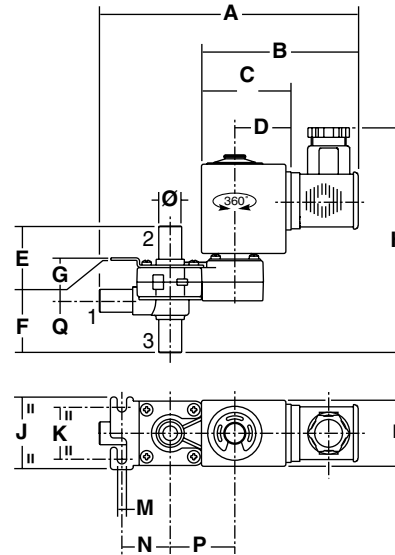
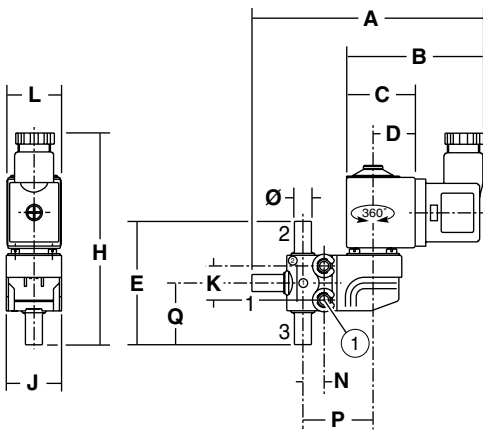
**TYPE 01**  
Prefix "SC" Solenoid  
DIN 43650

SCH383A003 / A004V / A004E



**TYPE 02**  
Prefix "SC" Solenoid  
ISO 4400

SCH383A007



Pressure inlet:

- NC function: orifice 2 (type 01)
- NO function: orifice 3 (type 01)
- U function: all orifices (type 02)

type	prefix option	catalogue number	A	B	C	D	E	F	G	H	J	K	L	M	N	P	Q	weight <sup>(2)</sup>
01	SC	SCH383A003/ A004V/A004E	111	64,5	33,5	21	58	-	-	97	26	16	25	-	10	33	29	0,200
02	SC	SCH383A007	127	78	43	27	16,5	40,5	1,2	105	35	25	32	4,5	23	31	19,5	0,345

① Mounting: 2 holes  
Ø 4,3 mm

<sup>(2)</sup> Incl. coil(s) and connector(s).