

The 368 Series are 2-Way and 3-Way isolation valves constructed with PTFE and ETFE materials, which makes them virtually impervious to chemical attack. The Series 368 is a compact construction with a 0.062" orifice to handle standard flow requirements.

- PTFE diaphragm shields the internal components of the solenoid from the media to handle the most aggressive fluids.
- Compact size saves valuable space in equipment.

Construction

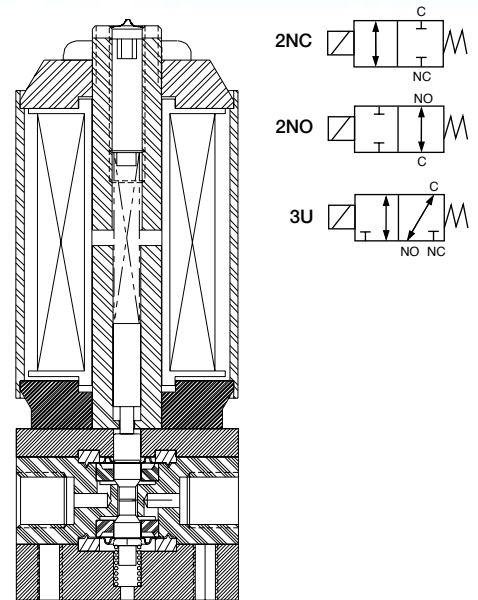
Valve Wetted Parts	
Body	ETFE
Poppet	PTFE
Diaphragm	PTFE

Electrical

Standard Voltages	12 VDC, 24 VDC 115 VAC (with rectifier in lead wires)
Power Consumption	4.5 - 6.8 Watts
Duty Cycle Rating	Continuous
Coil Insulation	356°F (180°C)
Electrical Connection	22 AWG Hardwire

Valve

Response Time	~20 ms
Internal Volume	30 µL from seat to port 10 µL between poppets
Vacuum Rating	29" Hg



Temperature Range:

Ambient & Media:
32°F to 77°F (0°C to 25°C)

Approvals:

Meets applicable CE directives.

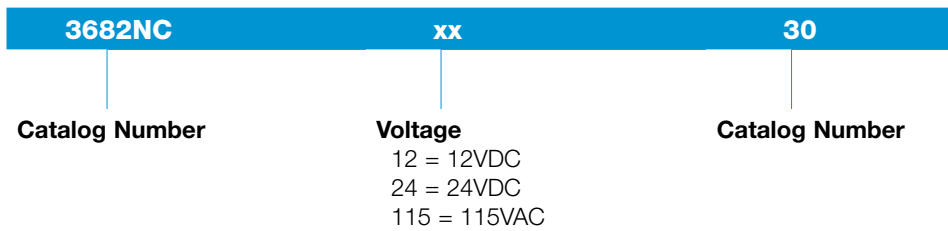
Specifications

Port Type	Orifice Size (in)	Cv Flow Factor	Operating Pressure (psi)		Catalog Number	Power (Watts)	Weight (oz)
			Vac. (in Hg)	Max.			
2/2NC - Normally Closed							
1/4-28 UNF Flat Bottom	0.062	0.02	29	30*	3682NCxx30	4.5 (12VDC), 5.3 (24VDC), 6.8 (115 VAC)	4
2/2NO - Normally Open							
1/4-28 UNF Flat Bottom	0.062	0.02	29	30*	3682NOxx30	4.5 (12VDC), 5.3 (24VDC), 6.8 (115 VAC)	4
3/2U - Universal Operation							
1/4-28 UNF Flat Bottom	0.062	0.02	29	30*	36823xx30	4.5 (12VDC), 5.3 (24VDC), 6.8 (115 VAC)	4

Notes

- *Common port: Vacuum to 30 psi
- NC and NO Ports: Vacuum to 10 psi

Catalog Number Description and Options



To Construct Catalog Number

- Select catalog number
- Insert voltage into the 7th and 8th digits denoted by "xx"; use 3 digits for 115 AC voltage

Examples

- 3682NC1230 = 2-Way normally closed valve with a 0.062" orifice, 1/4 - 28 UNF, flat bottom ports and 12 VDC coil rated at 4.5 Watts
- 3682311530 = 3-Way valve with a 0.062" orifice, 1/4 - 28 UNF, Flat bottom ports and 115/50-60 VAC coil rectifier

Dimensions 368 Series: Inches (mm)

