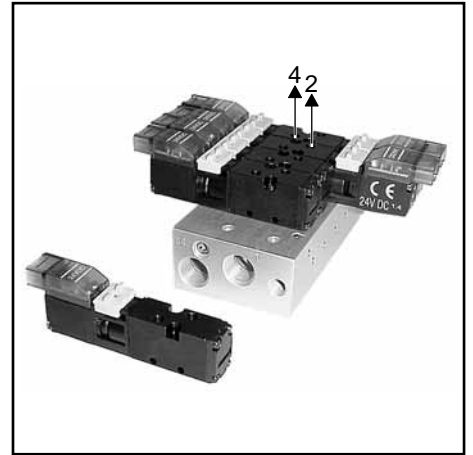


### GENERAL

<b>Fluid</b>	Air or neutral gas, non-lubricated, filtered at 25 µm
<b>Operating pressure</b>	2 to 8 bar
<b>Ambient temperature</b>	+5°C to +50°C
<b>Flow (Qv at 6 bar)</b>	See "specifications"
<b>Manual override</b>	Impulse-type and maintained
<b>Particularity</b>	These M3 threaded control valves also fit subbases : common ports 1 and (3-5) on subbase and load ports 2 - 4 on control valve, at the upper parts.

### CONSTRUCTION

<b>Body</b>	Light alloy, PA (polyamide)
<b>Internal parts</b>	Light alloy, brass, stainless steel
<b>Seals</b>	NBR (nitrile)



### ELECTRICAL CHARACTERISTICS

voltage (other voltages on request)	consumption	insulation class	protection degree	electrical connection
24V = 12V = 5V =	1 W	F	IP 40	connector with two 0.5 mm <sup>2</sup> lead wires + built-in LED and electrical protection or cable ends, 0.5 m long
(+10%, -15%)				

The solenoid valves are designed for continuous operation within the maximum ambient temperature limits.

### SPECIFICATIONS

function symbol	operators pilot (14) solenoid air operated return (12)	flow		response time (ms)		consumption (W)	type of electrical connection (*)	catalogue number (1)			
		at 6 bar l/min (ANR)	coeff. Kv	ener- gized	de-ener- gized						
3/2 NC 	differential return	100	1,43	9	25	1,3	1	51801001			
							2	51801126			
							3	51801127			
	differential return			9	25	1,3	4	51801128			
							5	51801129			
							1	51801003			
5/2 	differential return	100	1,43	9	25	1,3	2	51801130			
							3	51801131			
							4	51801132			
							5	51801133			
							1	51801020			
							2	51801134			
	solenoid air operated return	6	-	1,3	-	-	1,3	3	51801135		
								4	51801136		
								5	51801137		
								1	51801022		
								2	51801138		
								3	51801139		
5/3 	pressure held W1	80	1,15	8	15	1,3	4	51801140			
							5	51801141			
							1	51801030			
							2	51801142			
							3	51801143			
	pressure release W3			8	15	1,3	-	-	1,3	4	51801144
										5	51801145
										1	51801032
										2	51801146
										3	51801147
	4	51801148									
	5	51801149									

(\*) Type 1, 2, 3, 4 with LED and electrical protection

1 = horizontal, width 5,08 mm

2 = vertical, width 5,08 mm

3 = horizontal, width 2,54 mm

4 = vertical, width 2,54 mm

5 = Cable ends 0,5 m long, 0,25 mm<sup>2</sup>

(1) The connectors must be ordered **separately** indicating the quantity and one of the following codes:

Connectors with 2 lead wires

Pin spacing 5,08 mm - Length 0,5 m - **cat.no.: 88118801**

- Length 1,5 m - **cat.no.: 88118802**

- Length 3 m - **cat.no.: 88118803**

Pin spacing 2,54 mm

- Length 0,5 m - **cat.no.: 88118806**

- Length 1,5 m - **cat.no.: 88118807**

- Length 3 m - **cat.no.: 88118808**



**SUBBASES** : see overleaf

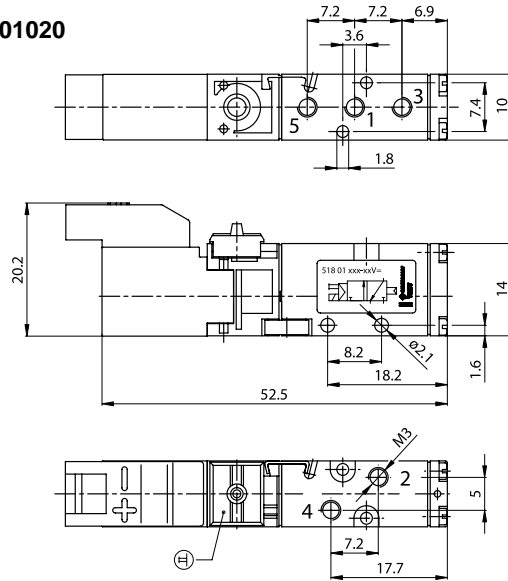
**DIMENSIONS (mm), WEIGHT (kg)**

**MICRO SPOOL-VALVES 3/2 - 5/2**

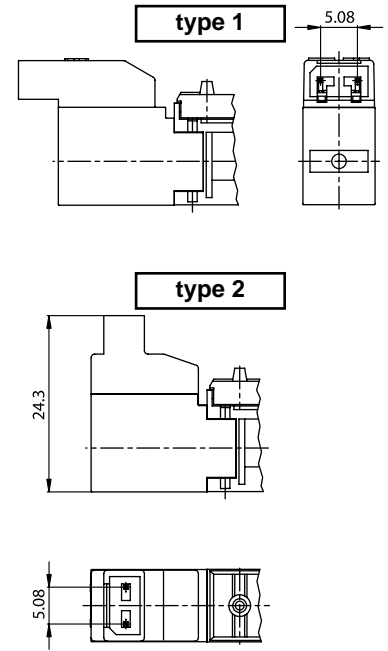
cat.no. 51801001, 51801003, 51801020

weight	
spool-valve	1 connector
0,023	0,005

- 1 = pressure
- 2,4 = outlets
- 3,5 = exhausts



**ELECTRICAL CONNECTION**

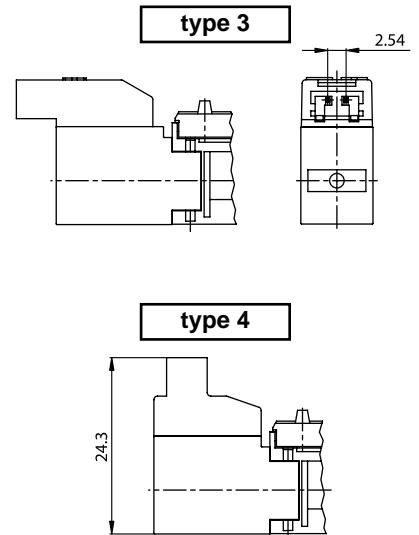
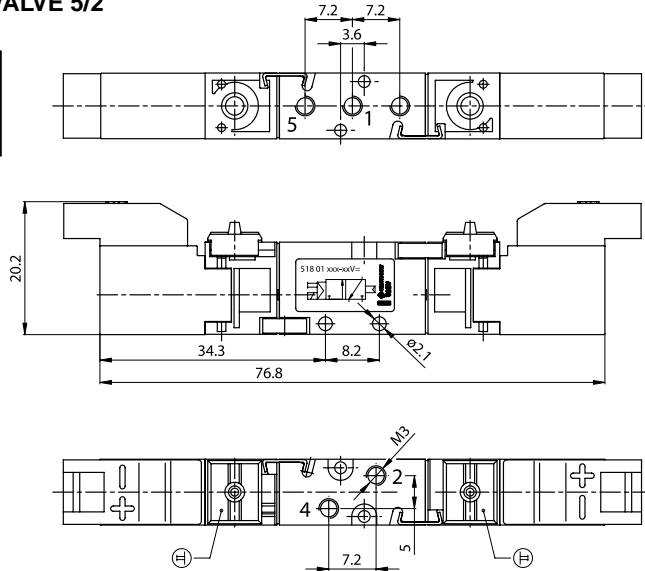


**IMPULSE MICRO SPOOL-VALVE 5/2**

cat.no. 51801022

weight	
spool-valve	2 connectors
0,037	0,010

- 1 = pressure
- 2,4 = outlets
- 3,5 = exhausts

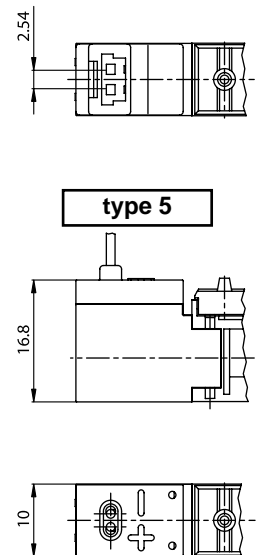
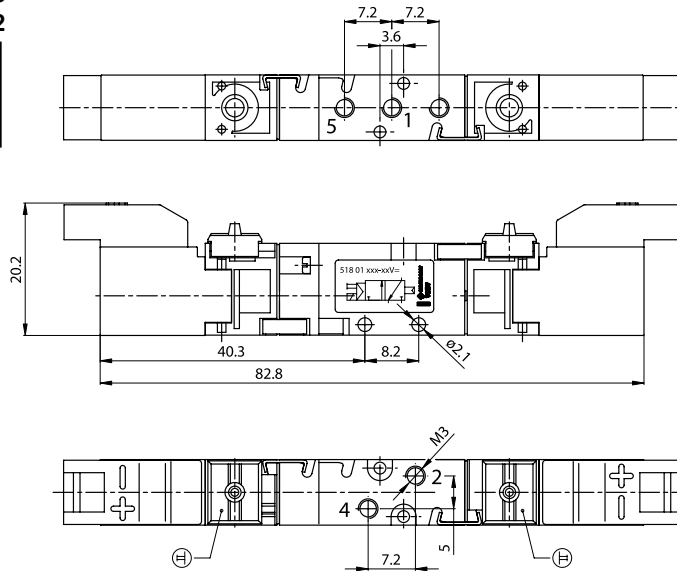


**MICRO SPOOL-VALVES 5/3**

cat.no. 51801030, 51801032

weight	
spool-valve	2 connectors
0,040	0,010

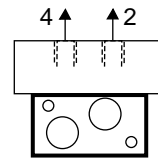
- 1 = pressure
- 2,4 = outlets
- 3,5 = exhausts



# SUBBASES

for tapped solenoid air operated  
 spool valves

Series  
**355**  
 Type  
 Micro 10



## CONSTRUCTION

Connection (2 - 4)

Material

Collected connection

ØM3 (at the **upper** part of spool valves)

Light alloy

Pressure - G 1/8 (1)

Exhaust - G 1/8 (5)

Collected pilot exhaust Ø M5 (82/84)

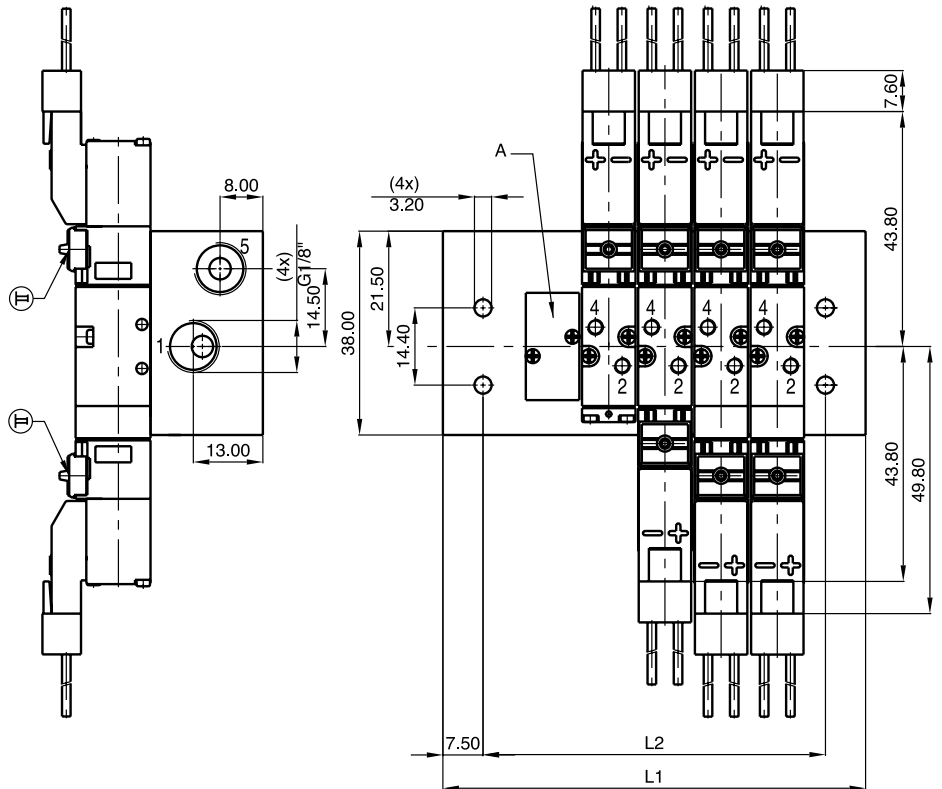
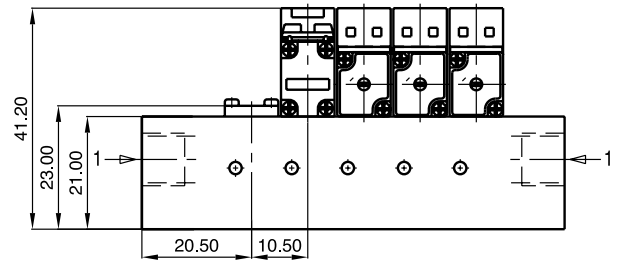
The 1-5-82-84 ports can be connected to both ends

Subbases are delivered with sealing plugs.

## DIMENSIONS (mm), WEIGHT (kg)

subbase catalogue number	no. of spool-valves	length		subbase weight
		L1	L2	
35500232	2	47,5	32,5	0,098
35500233	3	58	43	0,123
35500234	4	68,5	53,5	0,146
35500235	5	79	64	0,172
35500236	6	89,5	74,5	0,195
35500237	7	100	85	0,220
35500238	8	110,5	95,5	0,245
35500239	9	121	106	0,270
35500240	10	131,5	116,5	0,293

A - Blanking plate : **cat.no. 88135533**



00314GB-2005/R01  
 ASCO/JOUCOMATIC reserves the right to alter the availability, design and specifications without notice.

