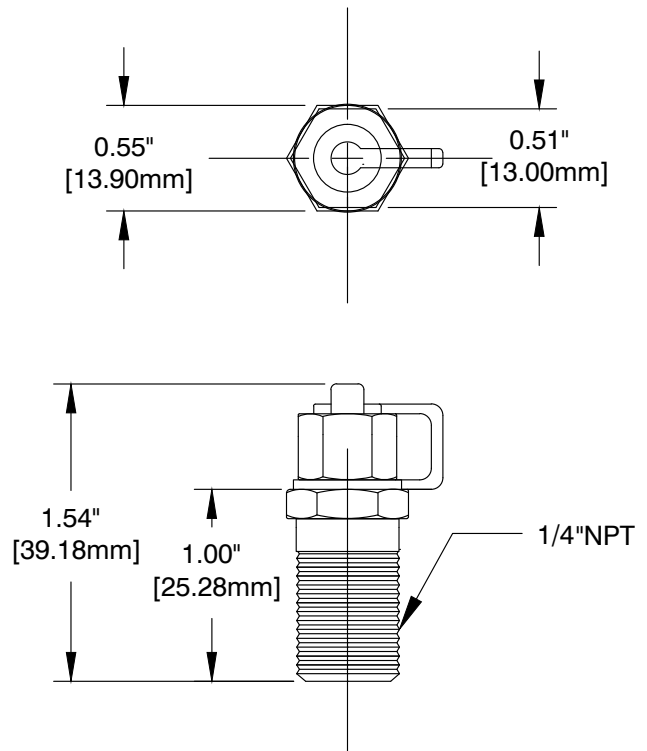
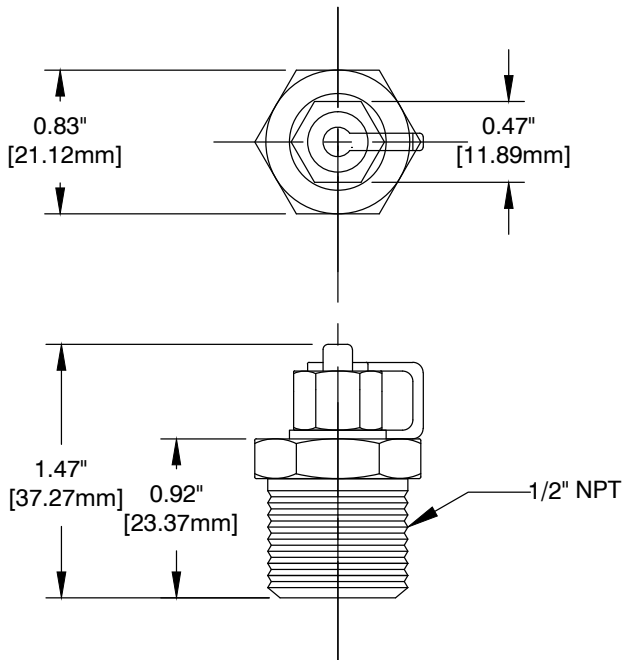


PTT (test plug or Pete's Plug®)
Pressure, temperature test plug

Illustrated model: PTTP-50B



Illustrated model: PTTP-25B



Specifications

| | |
|------------------------------|-----------------------|
| Body: | Brass |
| Diaphragm / core: | EPDM |
| End process connection: | ¼ or ½ nptm |
| Cap retainer: | Plastic |
| Maximum operating pressure: | 1,000 psi (6,894 kPa) |
| Maximum process temperature: | 350°F (176°C) |

Applications

The PTT test plug facilitates quick pressure and temperature reading at recommended test points without disturbing the process.