



# SEQUENCERS FOR DUST COLLECTOR SYSTEMS

without internal  $\Delta P$  pressure sensor  
for the control of up to 48 solenoid valves



Series  
**E909**

## FEATURES

- Electronic controller for the control of solenoid valves in dust collector systems
- ON/OFF filter cleaning cycle from external switch
- Microprocessor management
- Supply and output voltage selectable via jumper
- 5 programming keys
- Alphanumeric display, multilingual
- Adjustable pulse and interval times
- Automatic detection of number of valves
- Additional post-cleaning cycle mode
- High immunity from external interference
- Short-circuit protection of every single output
- 3 output relay (e.g. group alarm), 3 digital inputs (volt-free)



## CONSTRUCTION

**Housing** ABS (acryl nitrile butadiene styrene), grey  
**Cover** PC (polycarbonate), transparent

## ELECTRICAL CHARACTERISTICS

**Standard supply voltage** AC (~) 230/115 V

**Output voltage** DC (=) 24 V

Other voltages on request

| max. load power per output (W) | ambient temperature (°C) | electrical enclosure protection |
|--------------------------------|--------------------------|---------------------------------|
| 25                             | -10 to 60                | IP65                            |

## KENNDATEN

| number of solenoid valves <sup>(1)</sup> | adjustable pulse time | adjustable interval time | size          | catalogue number |
|--|-----------------------|--------------------------|---------------|------------------|
|  | sec.                  | sec.                     |               |                  |
| 4  | 0,05 - 5,0            | 1 - 999                  | 1             | E909SC4MU7.1     |
| 8  |                       |                          |               | E909SC8MU7.1     |
| 12                                       |                       |                          |               | E909SC12MU7.1    |
| 16                                       |                       |                          |               | E909SC16MU7.1    |
| 20                                       |                       |                          | 2             | E909SC20MU7.2    |
| 24                                       |                       |                          |               | E909SC24MU7.2    |
| 28                                       |                       |                          |               | E909SC28MU7.2    |
| 32                                       |                       |                          | E909SC32MU7.2 |                  |
| 36                                       |                       |                          | 3             | E909SC36MU4.2    |
| 40                                       |                       |                          |               | E909SC40MU4.2    |
| 44                                       |                       |                          |               | E909SC44MU4.2    |
| 48                                       |                       |                          |               | E909SC48MU4.2    |

<sup>(1)</sup> up to 192 valves on request.

## OPTIONS (on request)

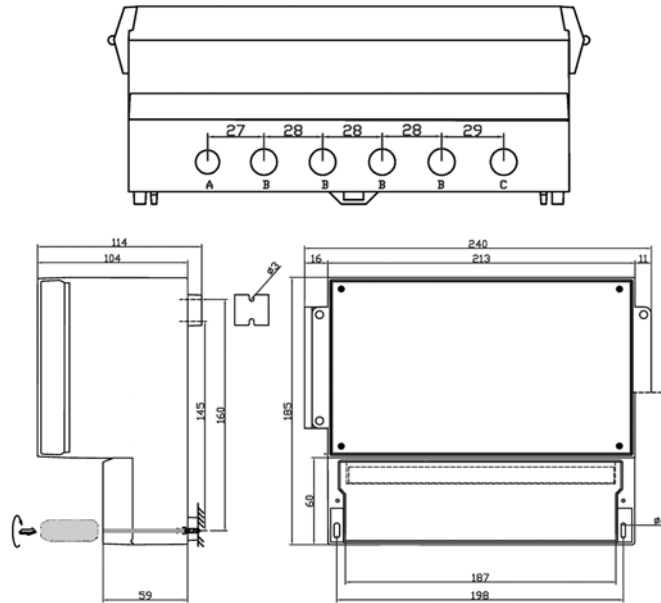
- Other voltage ratings, other housings and devices with ATEX approval

## INSTALLATION

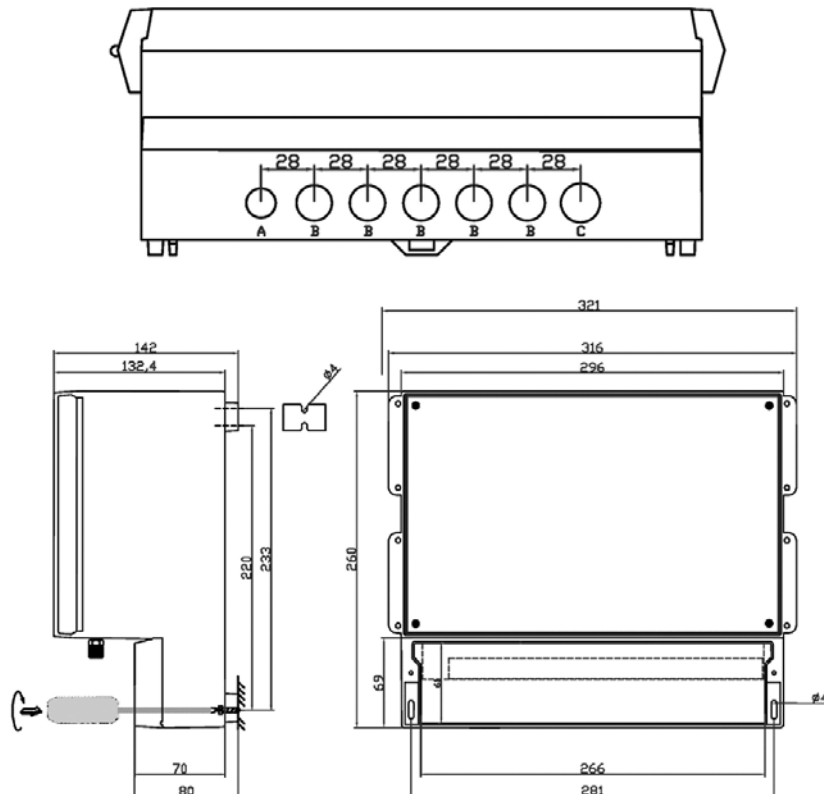
- Installation/maintenance instructions are included with each sequencer

## DIMENSIONS (mm), WEIGHTS

### Size 1

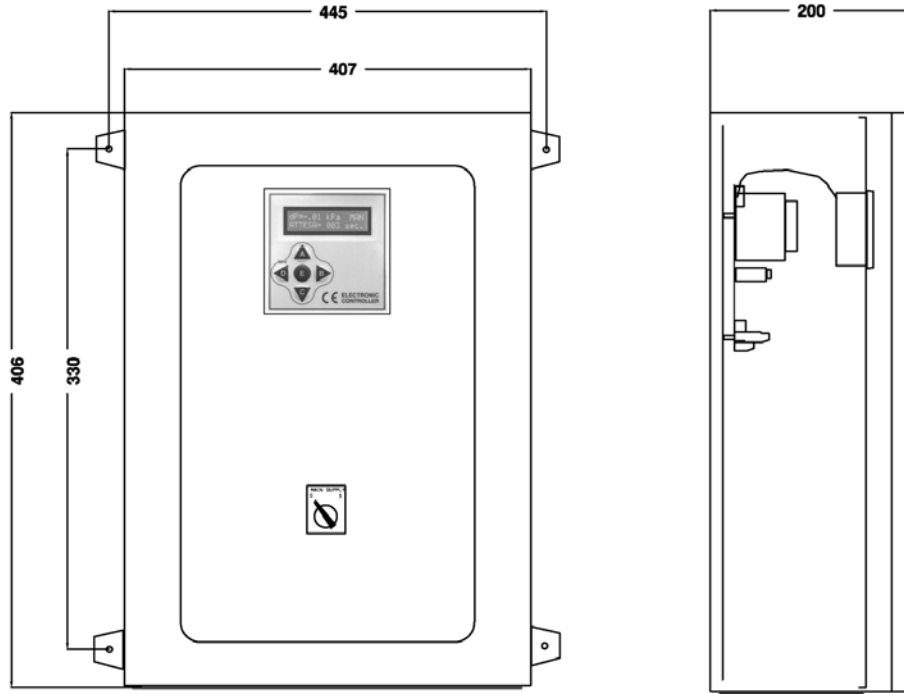


### Size 2



## DIMENSIONS (mm), WEIGHTS

### Size 3



WIRING DIAGRAM

