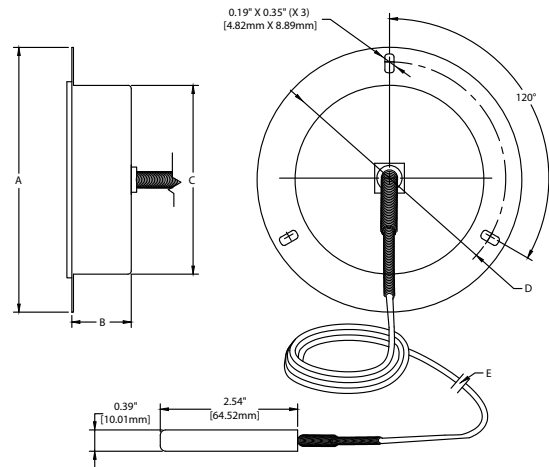


**THERMOMETER 3 1/2 in (90 mm) FRONT FLANGE
MODEL TC35SS-03**

Illustrated model: TC35SS-03



Specifications

Case	304 Stainless steel
Dial:	White aluminum, black marking
Lens:	Snap-in polycarbonate
Pointer	Aluminum painted black
Movement:	Brass
Bourdon tube:	Phosphor bronze
Sensor:	316 stainless steel, sensor without connection, 0.39 in (10.01 mm) OD x 2.54 in (64.5 mm) long
Range:	30 to 240°F / 0 to 115°C
Accuracy:	ASME B40.200(B40.4), Grade B $\pm 2\%$ CAN/CGSB - 14.4

Applications

Refrigeration, tank, industrial oven, etc.

Dimensions as per diagram

Dial	A	B	C	D	E
3.375 in (85.6 mm)	4.90 in (124.33 mm)	1.10 in (27.94 mm)	3.49 in (88.6 mm)	4.43 in (112.5 mm)	5 feet (1.524 m)