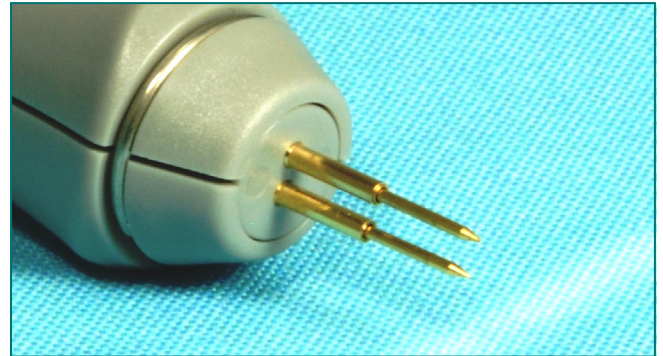


MKP/1750-5 Kelvin Probe



MKP/1750-5 Probe with "B" Style Pin Installed

These probes are excellent for making four-wire surface resistance measurements on films and other flat metallic surfaces. The probes are marked indicating the sense pins, ensuring an operator error free measurement. Each probe has two spring-loaded, replaceable tips that can be easily removed and replaced. Variety of probe tips available. The test leads are 5 feet long and are terminated with a Lemo connector. Pin center to pin center is 0.11 in (0.28 cm).

Cable length - 5 ft

Max Voltage and Current Rating - 42 V, 2 A

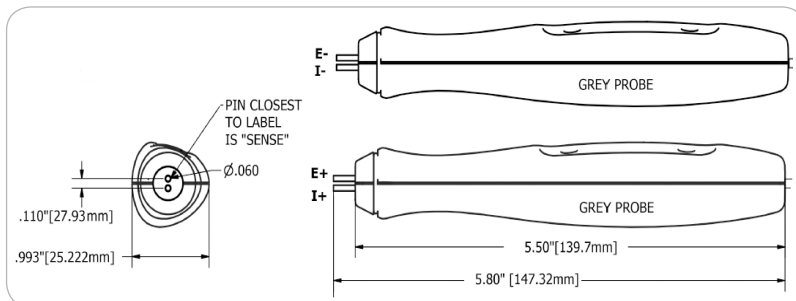
Typical Sense Lead Resistance - 200 mΩ

Typical Source Lead Resistance - 200 mΩ

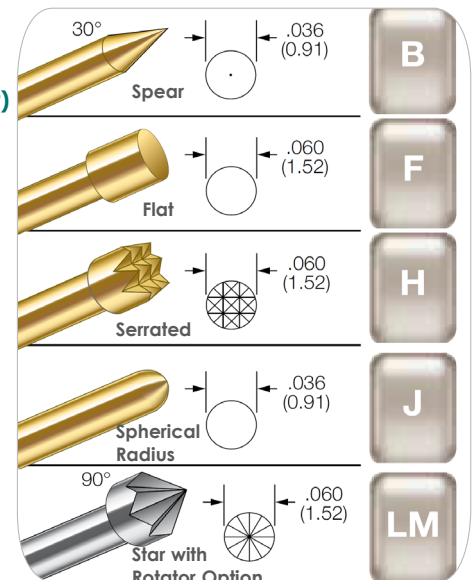
Available Pin Options: P/N MKP-B, MKP-F, MKP-H, MKP-J, MKP-LM (4 pins) (shown right)

(Pins are not included with the probe set and need to be ordered seperately.)

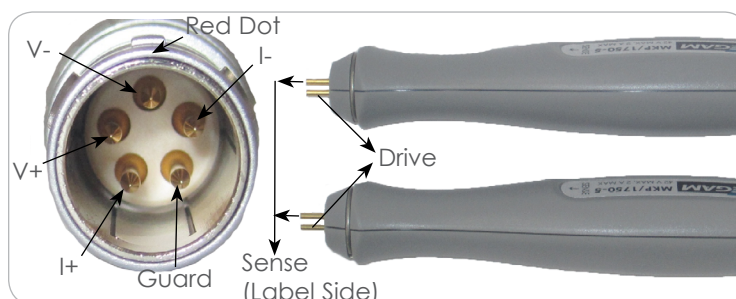
Compatible with TEGAM Model 1740, 1750



MKP/1750-5 Probe Dimensions



MKP/1750-5 Pin Options



MKP/1750-5 Pinout Information

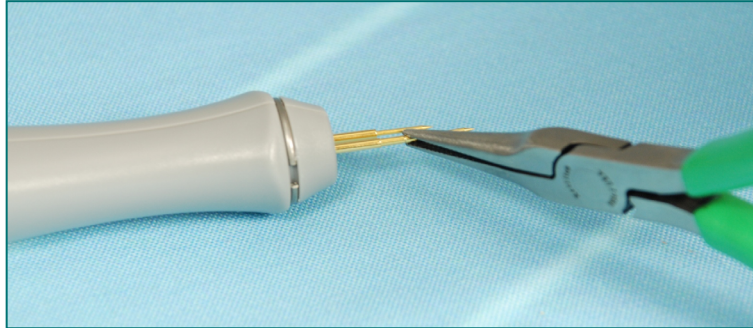
Sourcing through the "Sense" leads may have ill effects on the reading, and may damage the probes.

Prices and specifications subject to change without notice.
MKP/1750-5-909 Rev A

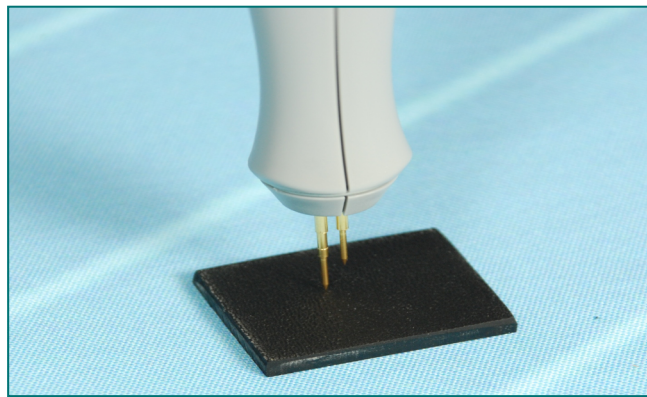
VOLTAGE AND RESISTANCE PRODUCTS

To replace the tips:

1. Grab the replaceable probe tip from the plunger. Do not grab the socket, or damage to the probe may occur. Pull the tip straight out with pliers.



2. To fully install the new pin, position the new pin in the socket and press it against a hard surface.

**Other Probe Configuration
Offered by TEGAM****MCP/1750-5 Kelvin Coaxial Probe**