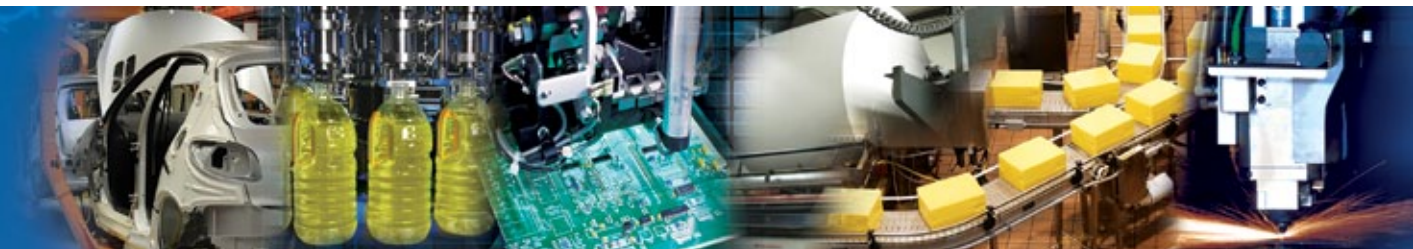


NUMATICS®

2002 Series

Solenoid Air Pilot Actuated Valves



www.numatics.com

2002 Series

F2 Series

Hardwired and Plug-in Solenoid Valve Manifold-Exploded View	3
Technical and Operating Data	4
How to Order	5
Valve Manifold Assembly Dimensions	6
Individual Base Dimensions	7
Individual Base Assembly Kits	7
External Pilot Supply	7
Bar Shock Manifold	8
Plug Connector	9
Pilot Valve Assembly	9
End Plate Kits	9
Service Kits and Parts	10-11

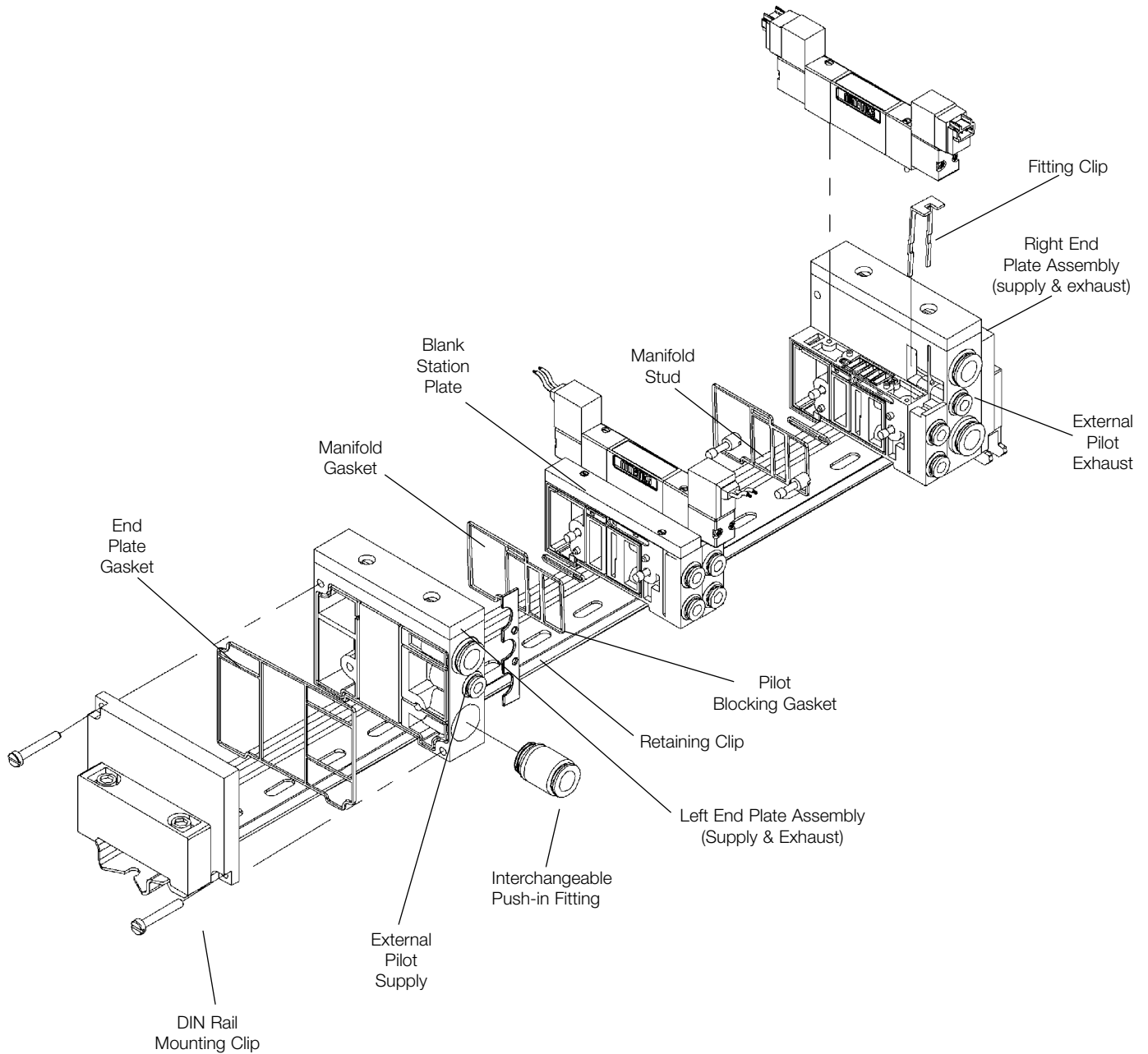
O2 and R2 Series

25 Pin Sub-D and Terminal Strip Options-Exploded View	12
Technical and Operating Data	13-14
How to Order	15
Single Station Manifold Dimensions	16
FlexiBlok Assembly Dimensions	17
Manifold Block Assemblies	18
Internal/External Pilot Selection	18
DIN Rail Clamp Kit	19
Interchangeable Cartridge Fittings and Port Plugs	19
Solenoid Valve Assemblies	20
Solenoid Control Board Circuit Diagrams	20
Valve Unit Pin Out	20
Solenoid Board Encapsulation Assembly	20
Blank Station Plate Kit	21
Mid-Station Supply and Exhaust Block	21
End Plate Assembly Kit	21
25 Pin Male Sub-D Housing Assembly Kit	22
Terminal Strip Housing Assembly Kit	22
Service Kits and Parts	23-25

Manifold and Wiring Architecture

Hardwired and Plug-In Solenoid Valve Manifold F2 Series

(exploded view)



F2 Series – Individual Base Mount
 – Hardwired Manifold Mount
 5 Ported, 2 and 3 position, 4-way and dual 3-way,
 Packed Spool
 Cv: 0.25

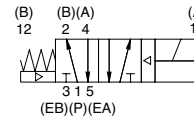
- Low current requirements
- Elimination of internal wiring
- Buna-N seals provide leak-proof sealing
- Pusher piston – high spool shifting force
- Adjustable port sizes utilizing interchangeable
 • cartridge fittings



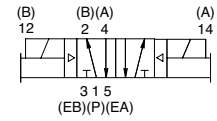
Technical Data

Valve Data	English	Metric
Cv	0.25	0.25
Flow Capacity	11.5 SCFM @ 80 PSIG upstream pressure to atmosphere	246 NI/m @ 6 bar upstream to 5 bar downstream
Operating Pressure Range: 4 Way Dual 3 Way	28" Hg. Vacuum to 150 PSIG 0 to 100 PSIG	Vacuum to 10 bar 0 to 7 bar
Pilot Pressure Range	35 to 115 PSIG	2.5 to 8 bar
Temperature Range (Ambient)	-10°F to +115°F	-23°C to +46°C

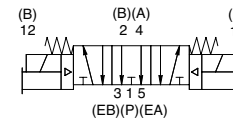
single solenoid air pilot
2 position 4-way



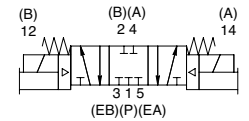
double solenoid air pilot
2 position 4-way



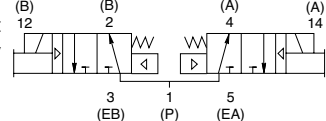
double solenoid air pilot
3 position 4-way
open center



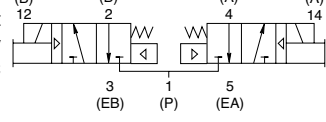
double solenoid air pilot
3 position 4-way
closed center



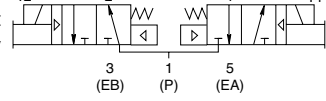
double solenoid air pilot
2 position dual 3-way
"14(A)" & "12(B)" NO



double solenoid air pilot
2 position dual 3-way
"14(A)" & "12(B)" NC



double solenoid air pilot
2 position dual 3-way
"14(A)"NC, "12(B)" NO



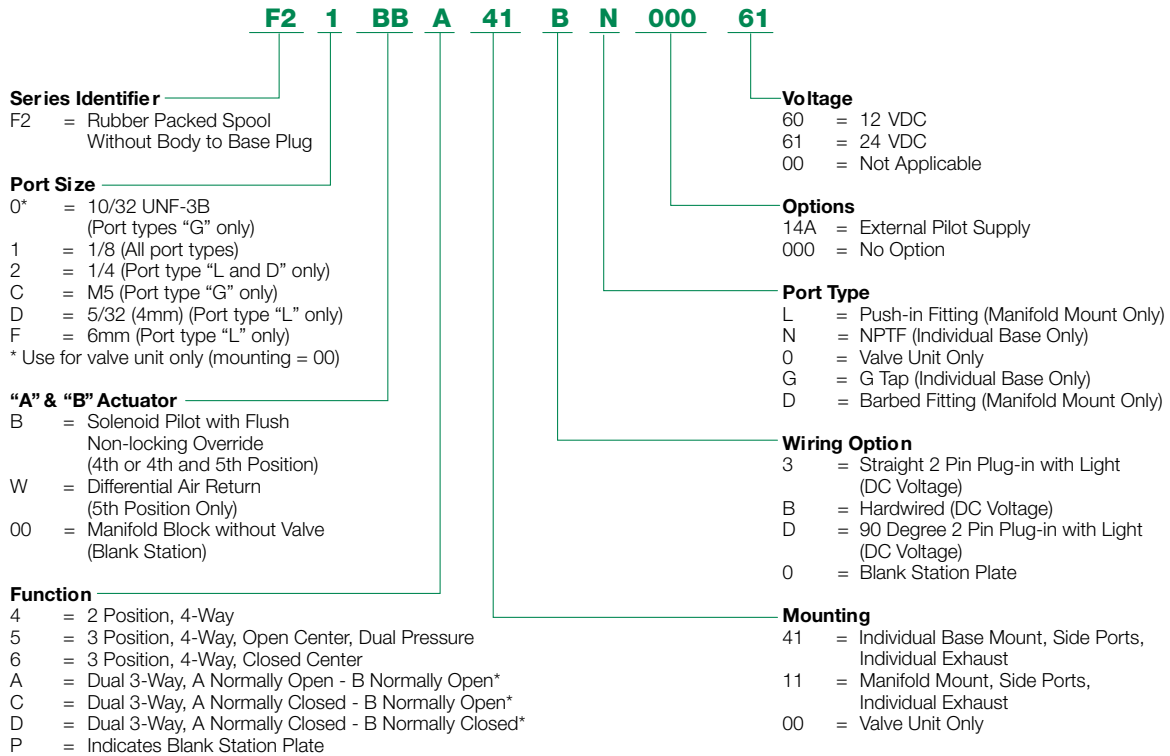
Operating Data

All Solenoids Are Continuous Duty Rated	24 VDC	12 VDC
Power (Watts)	0.50	0.50
Holding Current (Amps.)	0.032	0.064

Response Time in Seconds	Energize	De-Energize	Energize	De-Energize
2-Position, Single, Spring Return	0.013	0.013	0.013	0.013
2-Position, Double, Detented	0.006	N/A	0.006	N/A
3-Position, Spring Centered	0.008	0.022	0.008	0.022
Dual 3-way	0.011	0.010	0.011	0.010

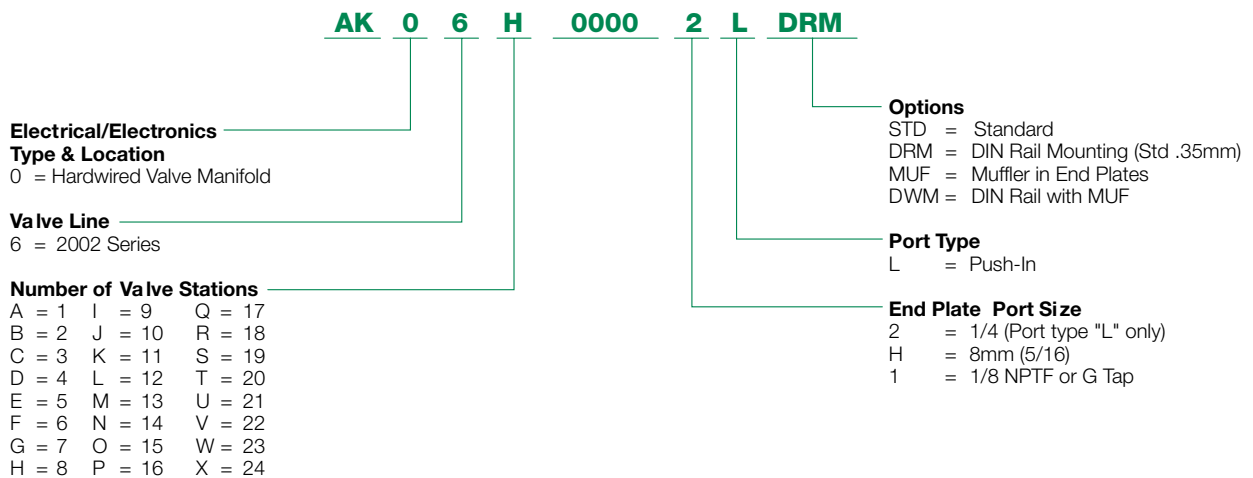
How to Order

Valves



*Valve Functions for use in Pressure Applications Only

Manifold Assembly



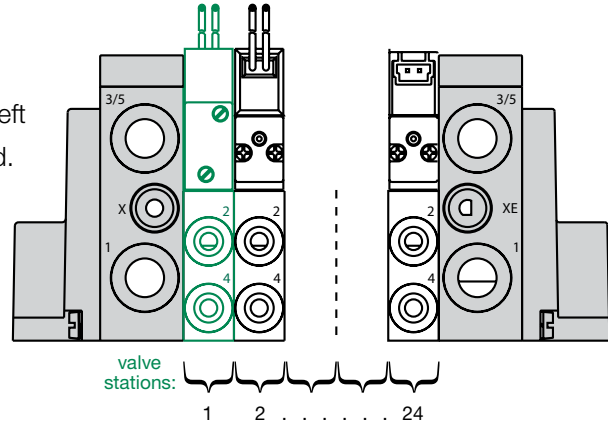
Manifold Assembly Example

AK0 Hardwired Valve Manifold

- Shaded components described by Assembly Kit (AK model number designation (page 5).
- Each valve manifold station is listed in sequential order from left to right when facing the port side of the manifold as indicated.

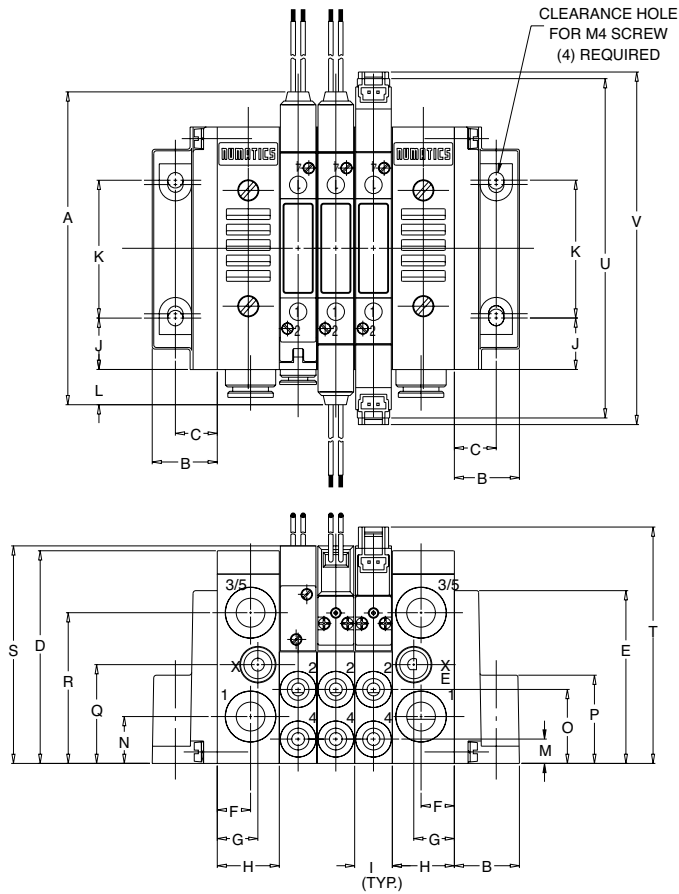
Example order:

	AK06D00002LSTD
Valve Station 1	F21BBA11BL00061
Valve Station 2	F21BBA11BL00061
Valve Station 3	F21BBA11BL00061
Valve Station 4	F21BBA11BL00061
	ASSEMBLED



Valve Manifold Assembly

Dimensions: Inches (mm)

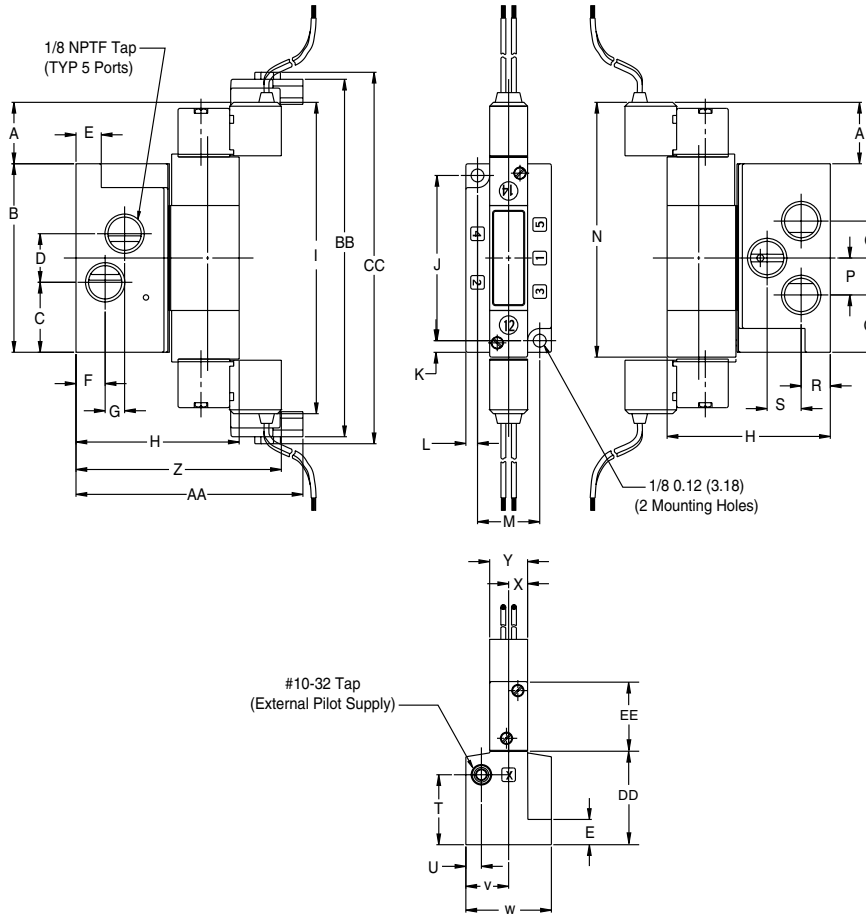


A	B	C	D	E	F	G	H	I	J	K	L	M	N	O
3.41 (86.6)	0.71 (18.0)	0.46 (11.9)	2.31 (58.7)	1.88 (47.8)	0.37 (9.4)	0.45 (11.4)	0.68 (17.3)	0.41 (10.5)	0.56 (14.2)	1.50 (38.1)	0.38 (9.7)	0.27 (6.9)	0.51 (13.0)	0.81 (20.6)

P	Q	R	S	T	U	V
0.96 (24.4)	1.08 (27.4)	1.64 (41.7)	2.37 (60.2)	2.57 (65.3)	3.69 (93.7)	3.84 (97.5)

Individual Base Mount Assembly

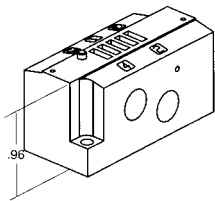
Dimensions: Inches (mm)



A	B	C	D	E	F	G	H	I	J	K	L	M	N	O	P
0.63 (16.0)	1.94 (49.3)	0.72 (18.3)	0.50 (12.7)	0.26 (6.6)	0.30 (7.70)	0.20 (5.1)	1.68 (42.7)	3.20 (81.3)	1.70 (43.2)	0.12 (3.0)	0.12 (3.0)	0.64 (16.3)	2.62 (66.5)	0.38 (9.7)	0.38 (9.7)

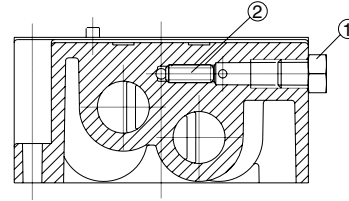
Q	R	S	T	U	V	W	X	Y	Z	AA	BB	CC	DD	EE
0.59 (15.0)	0.30 (7.6)	0.35 (8.9)	0.72 (18.3)	0.16 (4.1)	0.44 (11.2)	0.88 (22.4)	0.195 (5.00)	0.39 (9.9)	2.11 (53.6)	2.33 (59.2)	3.68 (93.5)	3.82 (97.0)	0.96 (24.4)	0.72 (18.3)

Individual Base Assembly Kit



Port Size	Part. No.
1/8 NPTF	203-1073
10/32 UNF-3B	203-1071
M5	203-1072

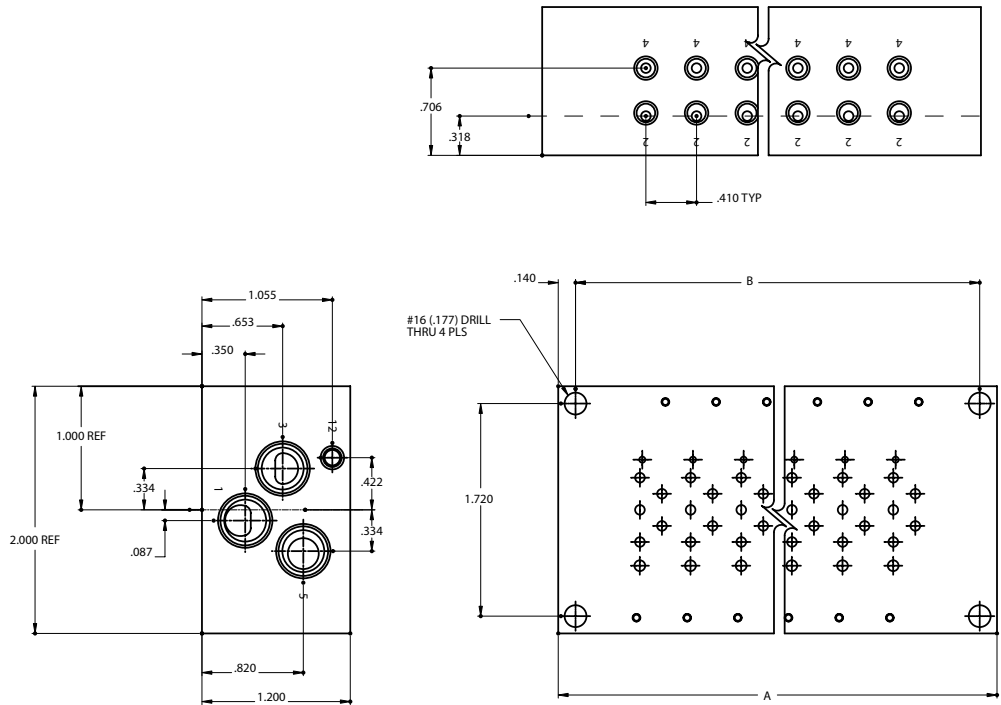
For External Pilot Supply



For External Pilot Supply, remove Plug 1 (129-127) and insert M3 Pipe Plug 2 (127-693) as shown

Bar Shock Manifold

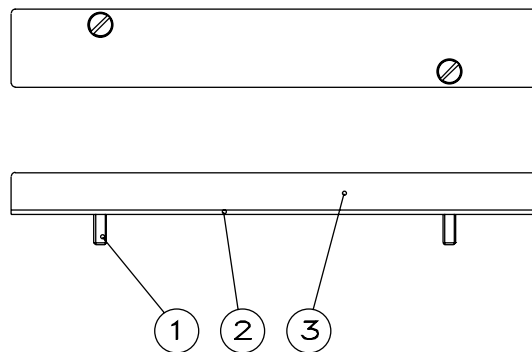
Stations	Part No.
2	106-1355
4	106-1356
6	106-1357
8	106-1358
10	106-1359
12	106-1360
14	106-1361
16	106-1362
18	106-1363
20	106-1364



Blank Station Plate Kit

239-1055

Det. No.	No. Req'd	Part Name	Part No.
1	2	Screw	127-841
2	1	Gasket	113-526
3	1	Blank Station Plate	104-698



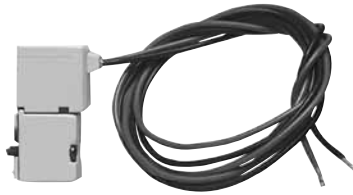
Plug Connector



Lead Length	Part. No.
12" Lead	230-443
48" Lead	230-476
120" Lead	230-486

Plug connector is not included with solenoid assemblies or valve models. Must order separately.
Note: Wire Gage = 22 AWG

Pilot Valve Assembly



Hardwired



Straight Plug-in

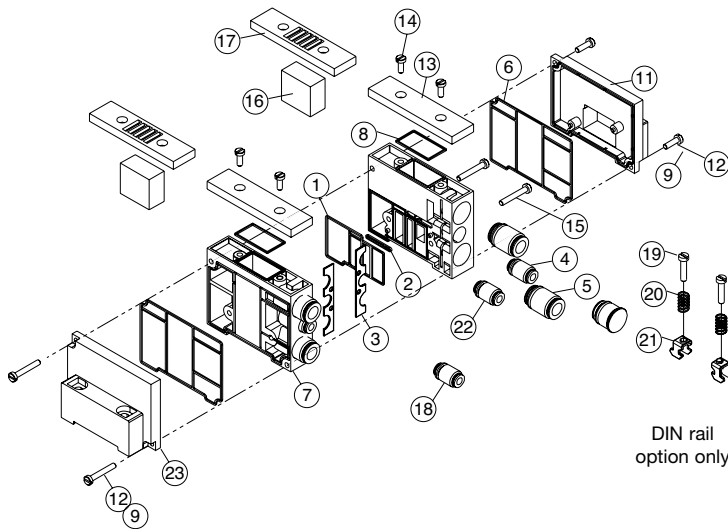


90° Plug-in

Voltage	Hardwired	Straight Plug-In	90 Degree Plug-In
12 VDC	236-378	236-374	236-376
24 VDC	236-379	236-587	236-583

Plug connector is not included with solenoid assemblies or valve models. Must order separately.

End Plate Kits

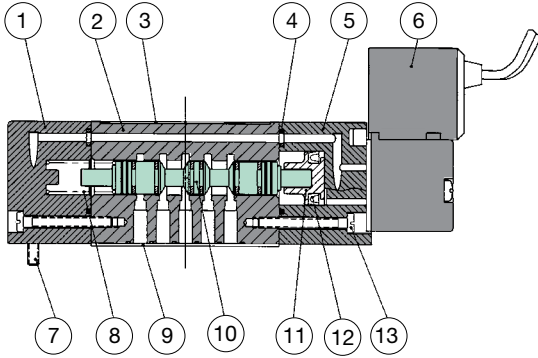


Det. No.	No. Req'd	Part Name	Part No.
1	1	Gasket	113-518
2	1	Gasket	113-515
3	2	Fitting Clip	125-780
4	1	5/32 Slip-in Fitting	134-498
4	1	6mm Slip-in Fitting	134-499
5	4	Fitting	See-p. 21
6	2	Gasket	113-503
7	1	LH End Plate	104-696
8	2	Gasket	113-519
9	4	Lockwasher	128-192
10	1	RH End Plate	104-697
11	1	RH Mounting Cover	105-385
12	4	Screw	127-844
13	2	End Plate Cover	105-387
14	4	Screw	127-838
15	2	Screw	127-839
16	2	Muffler (optional)	125-791
17	2	Vented Cover (optional)	105-388
18	2	Exhaust Plug (optional)	239-1085
19	4	Screw	127-472
20	4	Spring	115-355
21	4	Clamp	125-720
22	1	Pilot Exhaust Plug	239-1086
23	1	LH Mounting Cover	105-381

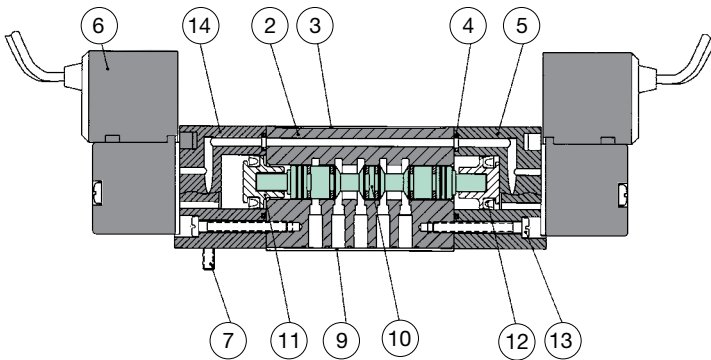
Port Type	Push-In			Push-In		
PORT	1	3/5	X, XE	1	3/5	X, XE
PORT SIZE	1/4	1/4	5/32	8mm	8mm	8mm
Kit w/o muffler, w/o DIN Rail	239-1210			239-1208		
Kit w/o muffler, w/ DIN Rail	239-1209			239-1207		
Kit w/ muffler, w/o DIN Rail	239-1214			239-1212		
Kit w/ muffler, w/ DIN Rail	239-1213			239-1211		

F2 Valve Service Kits and Parts, 2 and 3 Position 4-Way

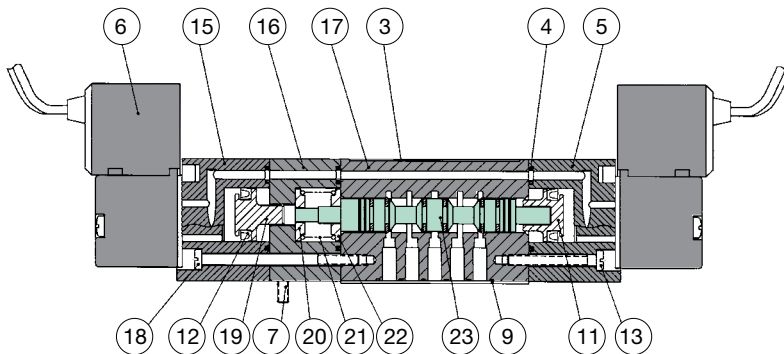
Kit No. MKF2-K1
(for models F20BW4, F21BW4, F2CBW4)



Kit No. MKF2-K2
(for models F20BB4, F21BB4, F2CBB4)



Kit No. MKF2-K35 (for models F20BB5, F21BB5, F2CBB5)
Kit No. MKF2-K36 (for models F20BB6, F21BB6, F2CBB6)

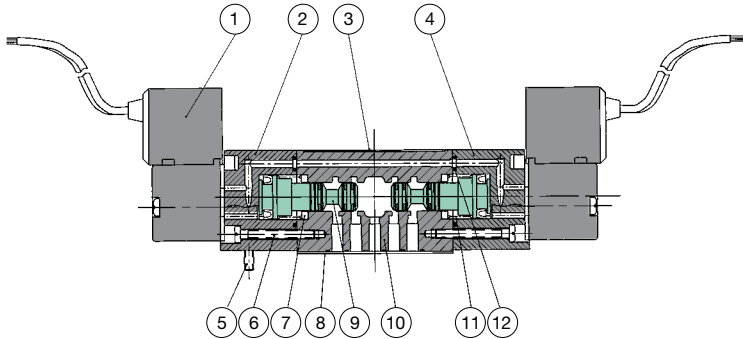


Det. No.	BW4	BB4	BB5/6	Part Name	Part No.
1	1	N/A	N/A	Spring Cover Ass'y	204-594
2	1	1	N/A	Body (not sold separately)	
3	1	1	1	Nameplate	122-1059
4	2*	2*	3*	Gasket	113-517
5	1	1	1	Pilot Adaptor Ass'y	219-391
6	1	2	2	Pilot Valve Ass'y	See p. 8
7	2	2	2	Screw	127-832
8	1*	N/A	N/A	Spring	115-357
9	1*	1*	1*	Gasket	113-525
10	1*	1*	N/A	Spool Ass'y (BA4, BB4)	221-176
11	1*	2*	1*	Piston	117-238
12	1*	2*	2*	U-Cup Seal	124-333
13	4	4	2	Screw	127-834
14	N/A	1	N/A	Pilot Adaptor Ass'y	219-393
15	N/A	N/A	1	Pilot Adaptor Ass'y	219-392
16	N/A	N/A	1	Adaptor	119-613
17	N/A	N/A	1	Body	101-721
18	N/A	N/A	2	Screw	127-840
19	N/A	N/A	1*	Piston	117-240
20	N/A	N/A	1*	Spring Retainer	116-506
21	N/A	N/A	1*	Spring	115-360
22	N/A	N/A	1	Spring Retainer	116-507
23	N/A	N/A	1*	Spool Ass'y (BB5)	221-175
23	N/A	N/A	1*	Spool Ass'y (BB6)	221-177

*Indicated part included in kit.

F2 Valve Service Kits and Parts, Dual 3-Way

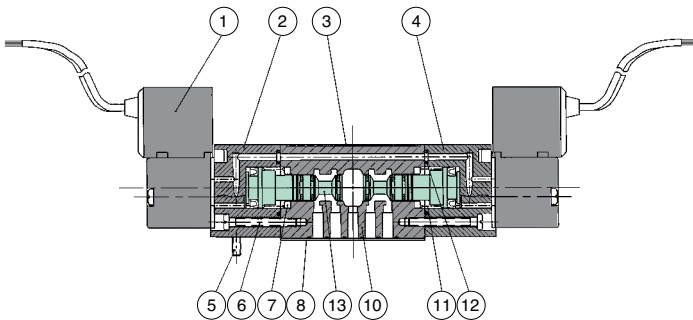
Kit No. MKF2-K3A (for models F20BBA, F21BBA, F2CBBA)



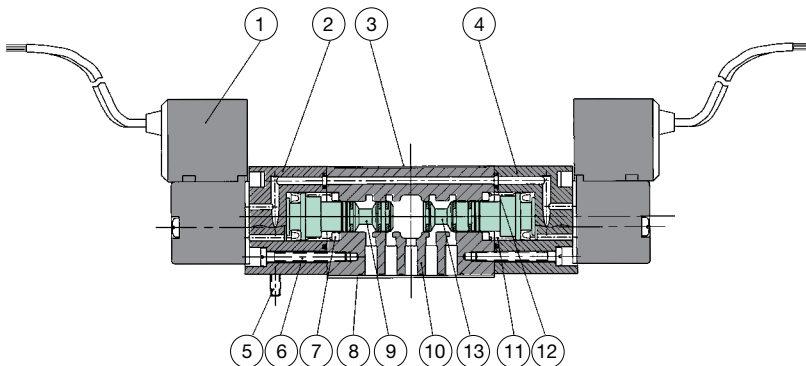
Det. No.	BBA	BBD	BBC	Part Name	Part No.
1	2	2	2	Pilot Valve Ass'y	See p. 9
2	1	1	1	Pilot Adaptor Ass'y	219-393
3	1	1	1	Nameplate	122-1059
4	1	1	1	Pilot Adaptor Ass'y	219-391
5	2	2	2	Screw	127-832
6	4	4	4	Screw	127-834
7	2*	2*	2*	Bumper	114-189
8	1*	1*	1*	Gasket	113-525
9	2*	N/A	1*	Spool Ass'y (N.O.)	221-178
10	1	1	1	Body (not sold separately)	
11	2*	2*	2*	Spring	115-361
12	2*	2*	2*	Gasket	113-517
13	N/A	1*	1*	Spool Ass'y (N.C.)	221-179

*Indicated part included in kit.

Kit No. MKF2-K3D (for models F20BBD, F21BBD, F2DBBD, F2FBBD)



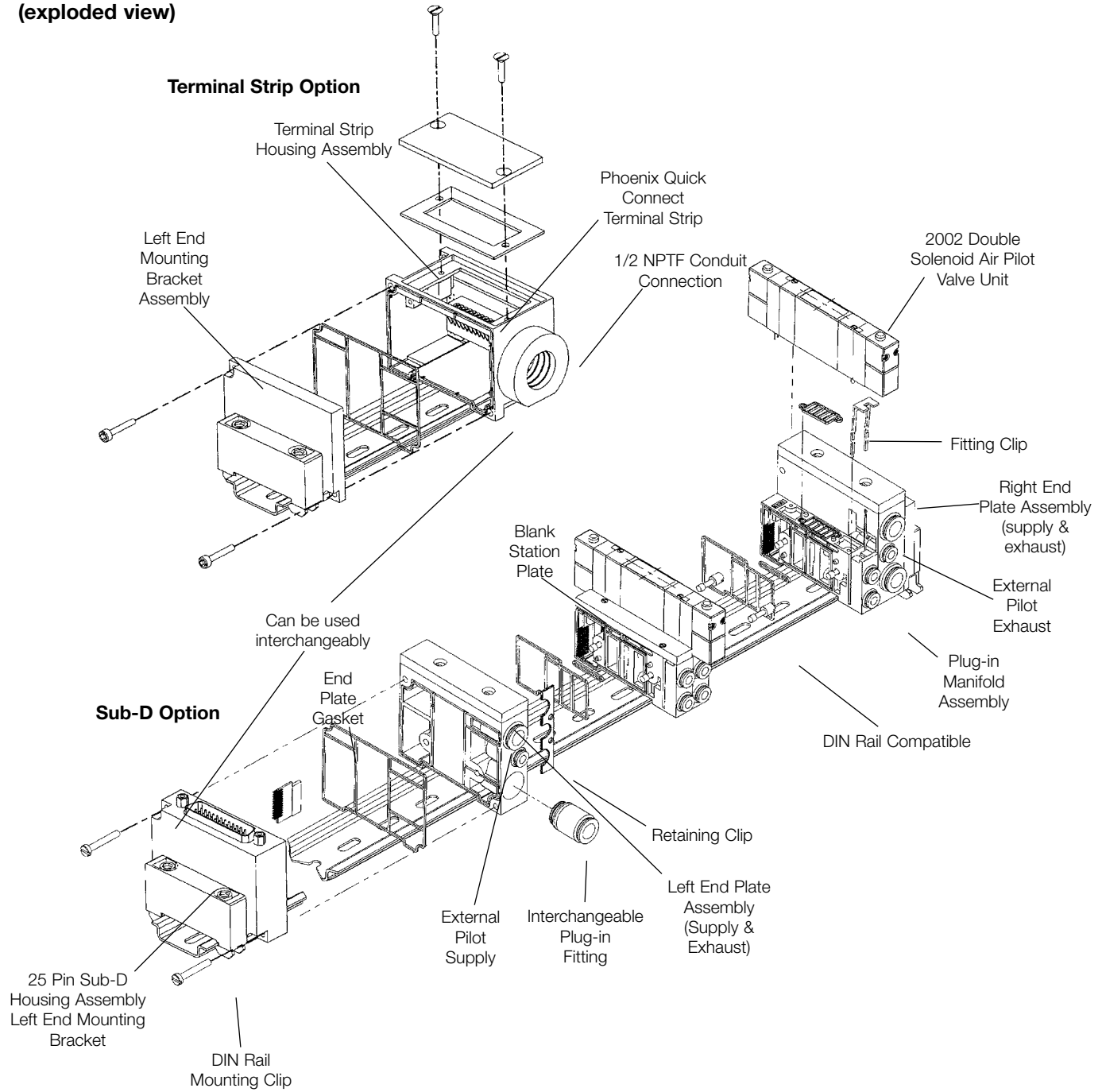
Kit No. MKF2-K3C (for models F20BBC, F21BBC, F2DBBC, F2FBBC)



Manifold and Wiring Architecture

**25 Pin Sub-D and Terminal Strip Options – Body to Base Plug-In
02 Spool & Sleeve series & R2 Packed Spool series**

(exploded view)



02 Series

5 Ported, 2 and 3 position, 4-way, Spool & Sleeve

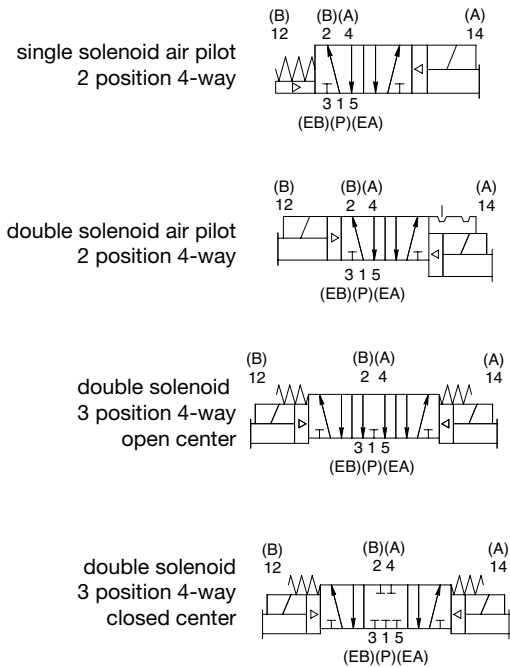
Cv: 0.20

- Solenoid air pilot actuated
- Low current requirements
- Elimination of internal wiring
- Pusher piston – high spool shifting force
- Modular Fieldbus electronics and I/O
- Adjustable port sizes utilizing interchangeable cartridge fittings



Technical Data

Valve Data	English	Metric
Cv	0.20	0.20
Flow Capacity	9.2 SCFM @ 80 PSIG upstream pressure to atmosphere	197 NI/m @ 6 bar upstream to 5 bar downstream
Operating Pressure Range:	28" Hg. Vacuum to 150 PSIG	Vacuum to 10 bar
Pilot Pressure Range	35 to 100 PSIG	2.5 to 7 bar
Temperature Range (Ambient)	-10°F to +115°F	-23°C to +46°C



Operating Data

All Solenoids Are Continuous Duty Rated	24 VDC		12 VDC	
	Energize	De-Energize	Energize	De-Energize
Power (Watts)	0.50		0.50	
Holding Current (Amps.)	0.02		0.064	
Response Time in Seconds	Energize	De-Energize	Energize	De-Energize
2-Position, Single, Spring Return	0.014	0.020	0.013	0.013
2-Position, Double, Detented	0.010	N/A	0.008	N/A
3-Position, Spring Centered	0.009	0.057	0.008	0.022

R2 Series - Packed Spool

5 Ported, 2 and 3 position, 4-way and dual 3-way,
Packed Spool

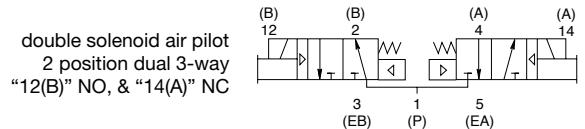
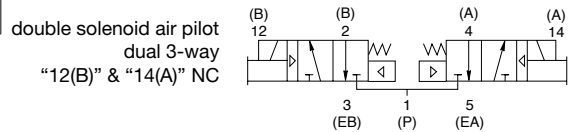
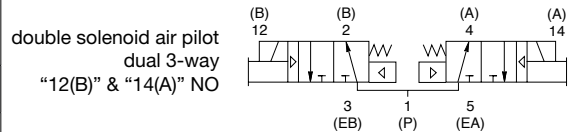
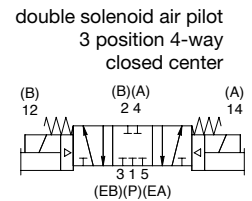
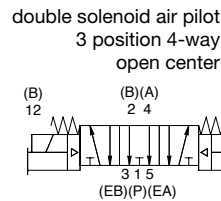
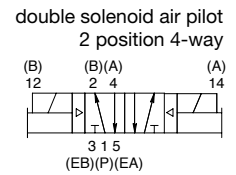
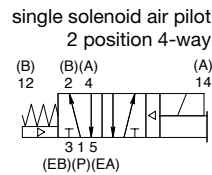
Cv: 0.25 (4-way) 0.20 (Dual 3-way)

- Solenoid air pilot actuated
- Low current requirements
- Elimination of internal wiring
- Buna-N seals provide leak-proof sealing
- Pusher piston – high spool shifting force
- Modular Fieldbus electronics and I/O
- Adjustable port sizes utilizing interchangeable cartridge fittings



Technical Data

Valve Data	English	Metric
Cv	0.25	0.25
Flow Capacity	11.5 SCFM @ 80 PSIG upstream pressure to atmosphere	246 NI/m @ 6 bar upstream to 5 bar down- stream
Operating Pressure Range: 4 Way Dual 3 Way	28" Hg. Vacuum to 100 PSIG 0 to 100 PSIG	Vacuum to 7 bar 0 to 7 bar
Pilot Pressure Range	35 to 100 PSIG	2.5 to 7 bar
Temperature Range (Ambient)	-10°F to +115°F	-23°C to +46°C

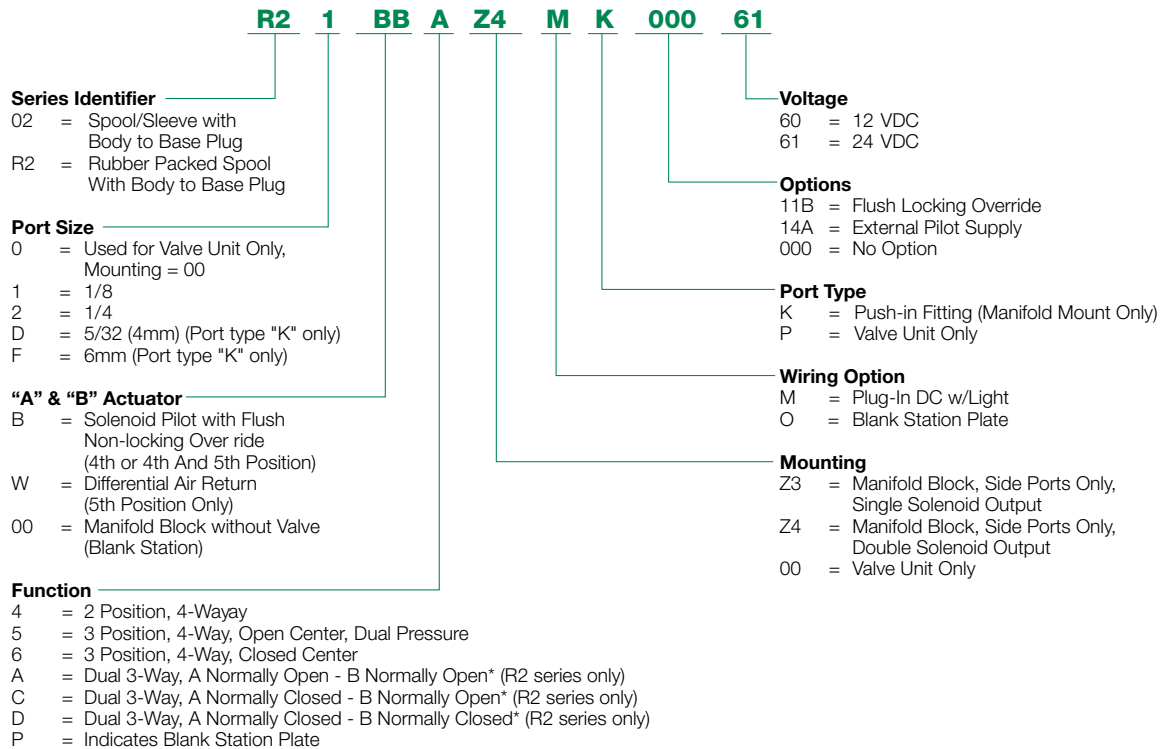


Operating Data

All Solenoids Are Continuous Duty Rated	24 VDC		12 VDC	
	Response Time in Seconds	Energize	De-Energize	Response Time in Seconds
Power (Watts)	0.50		0.50	
Holding Current (Amps.)	0.02		0.064	
2-Position, Single, Spring Return	0.017	0.013	0.017	0.013
2-Position, Double, Detented	0.010	N/A	0.010	N/A
3-Position, Spring Centered	0.009	0.022	0.009	0.022
Dual 3-way	0.018	0.010	0.018	0.010

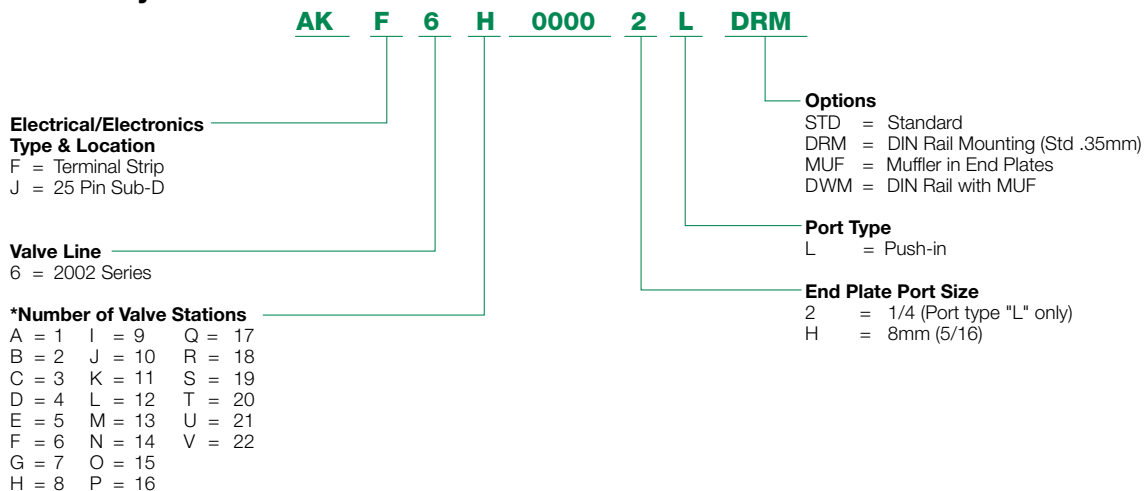
How to Order

Valves



*Valve Functions for use in Pressure Applications Only

Manifold Assembly



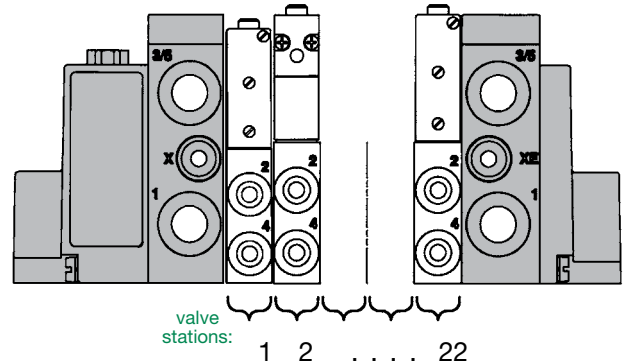
The electrical connection type.

- Sub-D (AK"J") 22 maximum solenoid outputs
- Terminal Strip (AK"F") 16 maximum solenoid outputs

Manifold Assembly Example

AKJ 25 Pin Sub-D

- Shaded components described by Assembly Kit (AK) model number designation (page 15).
- Each valve manifold station is listed in sequential order from left to right when facing the port side of the manifold as indicated.



Example order:

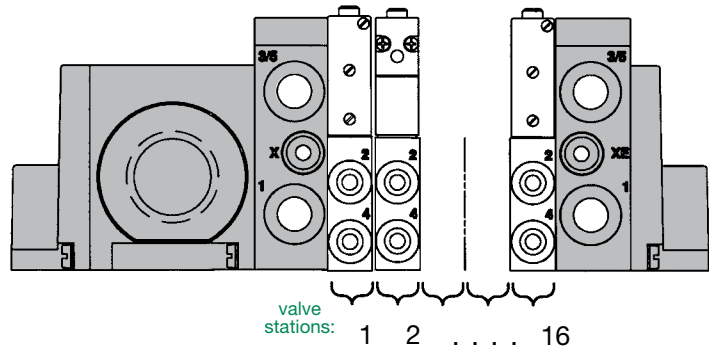
	AKJ6D00002LSTD
valve station 1	O21BW4Z3ML00061
valve station 2	O21BW4Z3ML00061
valve station 3	O21BB4Z4ML00061
valve station 4	O21BB4Z4ML00061
	ASSEMBLED

AKF Terminal Strip

- Ordered using the same method as for AKJ

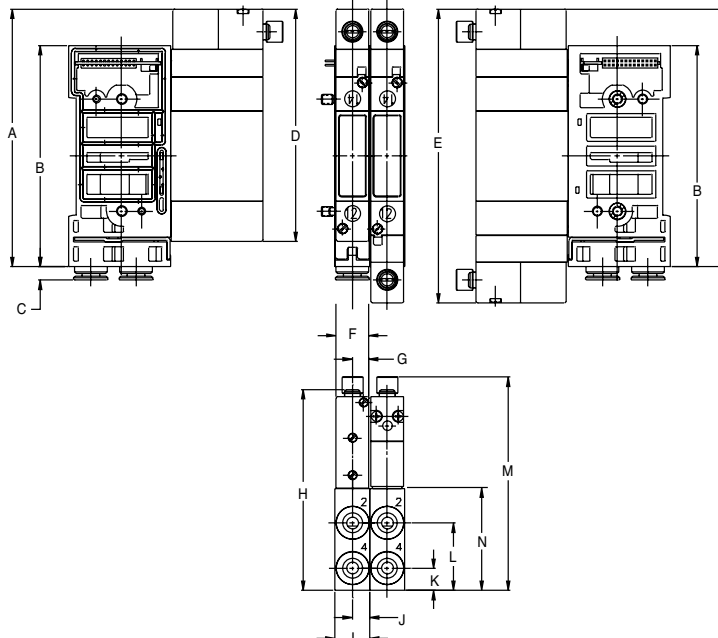
Example order:

	AKF6D00002LSTD
valve station 1	R21BW4Z3ML00061
valve station 2	R21BW4Z3ML00061
valve station 3	R21BB4Z4ML00061
valve station 4	R21BB4Z4ML00061
	ASSEMBLED



Assembly Dimensions Single Station Valve Manifold

Dimensions: Inches (mm)

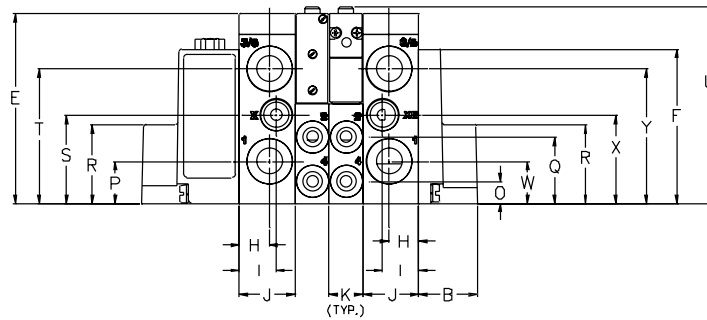
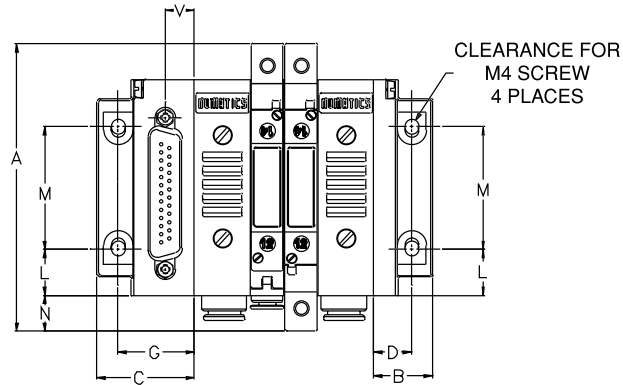


A	B	C	D	E	F	G	H	I	J	K	L	M	N
3.08 (78.1)	2.64 (67.1)	0.16 (4.2)	2.78 (70.5)	3.51 (89.2)	0.39 (9.9)	0.195 (4.95)	2.40 (61.0)	0.41 (10.5)	0.206 (5.30)	0.27 (6.9)	0.81 (20.6)	2.55 (64.8)	1.21 (30.7)

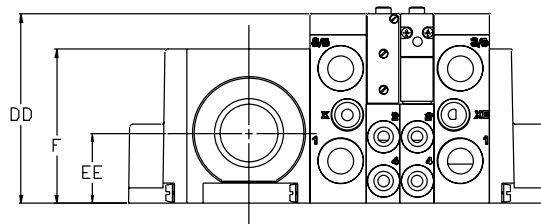
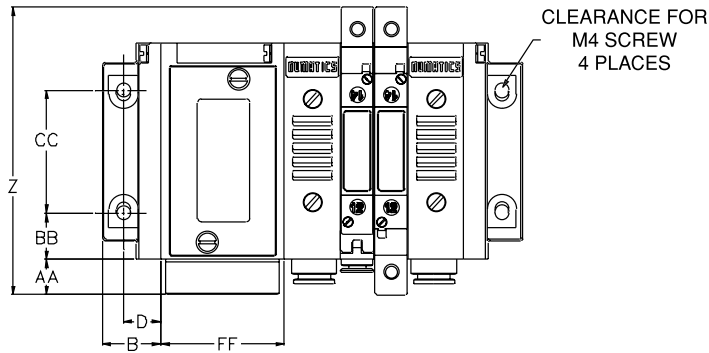
FlexiBlok® Assembly

Dimensions: Inches (mm)

25 pin Sub-D Housing Assembly

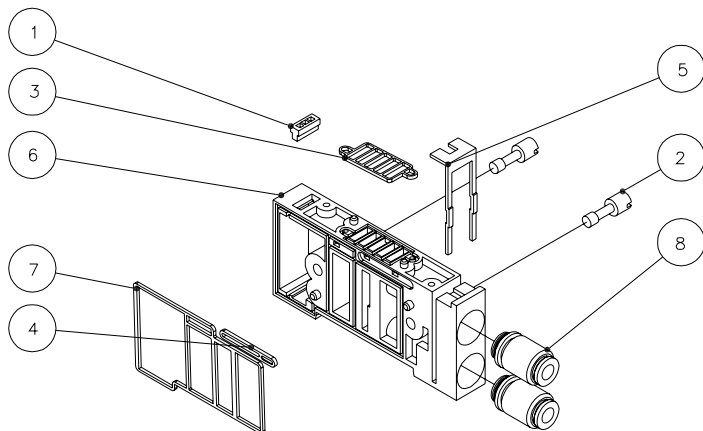


Terminal Strip Housing Assembly

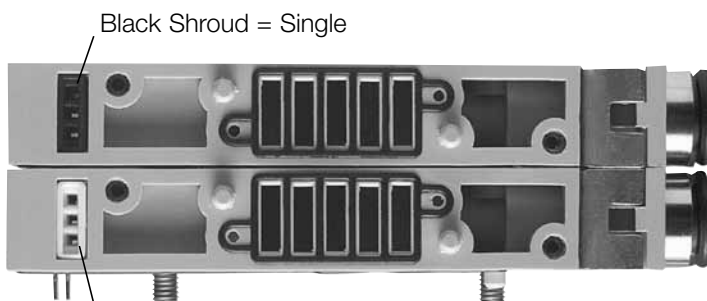


A	B	C	D	E	F	G	H	I	J	K	L	M	N	O	P
3.51 (89.2)	0.71 (18.0)	1.18 (30.0)	0.46 (11.9)	2.31 (58.7)	1.88 (47.8)	0.93 (23.6)	0.37 (9.4)	0.45 (11.4)	0.68 (17.3)	0.41 (10.5)	0.56 (14.2)	1.50 (38.1)	0.44 (11.2)	0.27 (6.9)	0.51 (13.0)
Q	R	S	T	U	V	W	X	Y	Z	AA	BB	CC	DD	EE	FF
0.81 (20.6)	0.96 (24.4)	1.08 (27.4)	1.64 (41.7)	2.40 (61.0)	0.36 (9.1)	0.51 (13.0)	1.08 (27.4)	1.64 (41.7)	3.50 (88.9)	0.43 (10.9)	0.56 (14.2)	1.50 (38.1)	2.31 (58.7)	0.85 (21.6)	1.50 (38.1)

Manifold Block Assemblies



Det. No.	No. Req'd	Part Name	Part No.
1	1	Shroud, White (Double)	125-786
1	1	Shroud, Black (Single)	125-785
2	1	Stud	125-787
3	1	Gasket (Body)	113-516
4	1	Blocking Gasket	113-515
5	1	Clip (Fitting)	125-784
6	1	Manifold	106-1208
7	1	Gasket (Manifold)	113-518
8	2	Push-in (1/4 Tube)	134-518
8	2	Push-in (1/8 Tube)	134-500
8	2	Push-in (4mm Tube)	134-498
8	2	Push-in (6mm Tube)	134-499



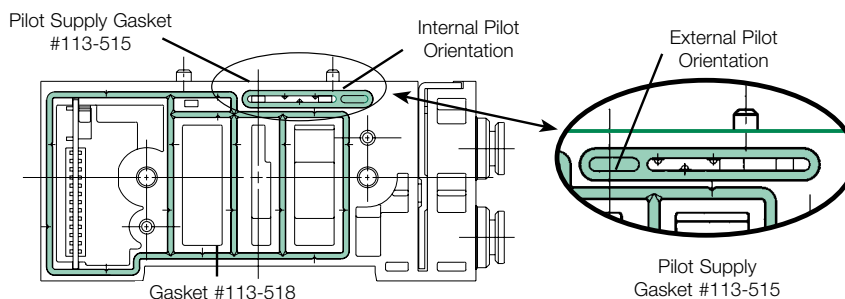
Black Shroud = Single

White Shroud = Double

Plug color visible from top of manifold block.

Manifold Description	1/8 Push-In	1/4 Push-In	5/32-4mm Push-In	6mm Push-In
Single "Z-board"™	239-1069	239-1339	239-1071	239-1073
Double "Z-board"™	239-1070	239-1340	239-1072	239-1074
w/o "Z-board"™	N/A	239-1343	239-1205	239-1206

Internal/External Pilot Selection

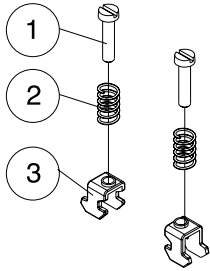


Note:

- All manifolds will have the pilot blocking gasket (113-515) installed with internal pilot supply orientation as standard.
- For external pilot supply, valve stations should be ordered with 14A option code.

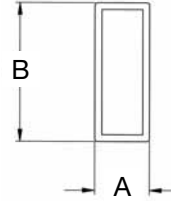
DIN Rail Clamp Kit

239-980



Det. No.	No. Req'd	Part Name	Part No.
1	4	Screw	127-472
2	4	Spring	115-355
3	4	Clamp	125-720

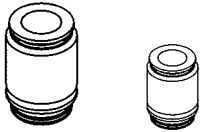
Blocking Discs



Port	Part No.	A	B
1	124-335	0.228	0.809
3/5	124-336	0.318	0.809

Interchangeable Cartridge Fittings and Port Plugs

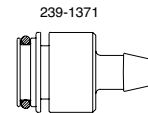
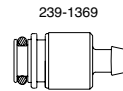
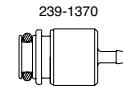
Push-in Fittings



Size	Ports	Part No.
4mm (5/32")	Ports 2, 4, X, XE	134-498
6mm	Ports 2, 4, X, XE	134-499
1/8"	Ports 2, 4, X, XE	134-500
1/4"	Ports 2, 4, X, XE	134-518
8mm (5/16")	Ports 1, 3/5	134-501
1/4"	Ports 1, 3/5	134-502

Barbed Fittings

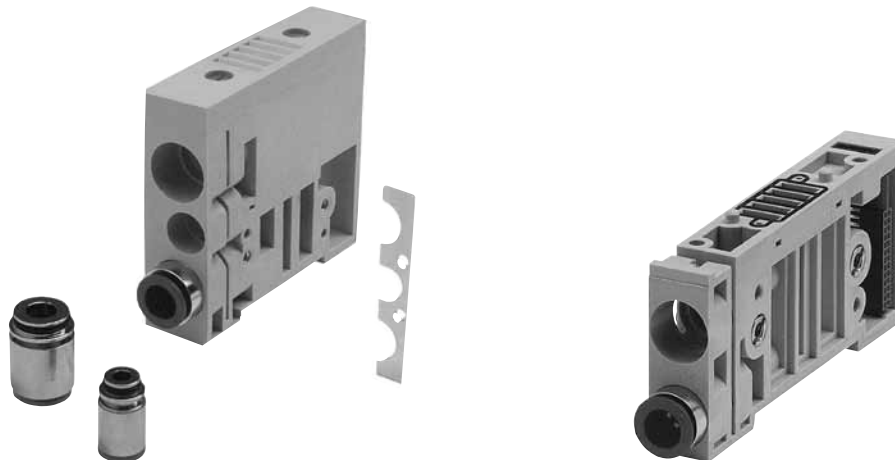
Size	Ports	Part No.
1/8"	Ports 2, 4, X, XE	239-1370
1/4"	Ports 2, 4, X, XE	239-1369
5/16"	Ports 1, 3/5	239-1371



Port Plugs

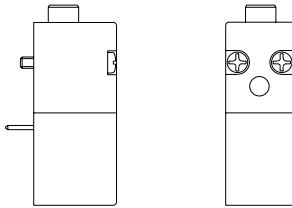


Size	Ports	Part No.
Large	Ports 1, 3/5	239-1085
Small	Ports 2, 4	239-1086



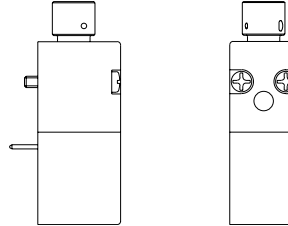
Solenoid Pilot Valve Assemblies

Non-Locking Override



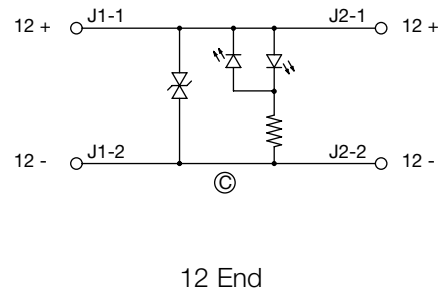
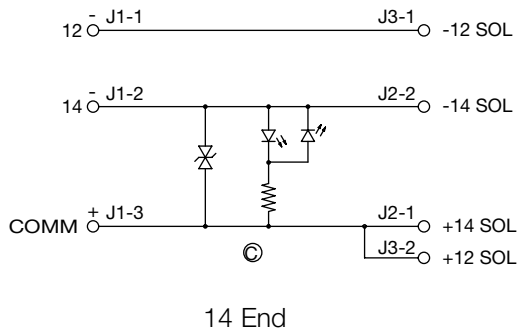
VDC	Part. No.
12	236-571
24	236-565

Locking Override

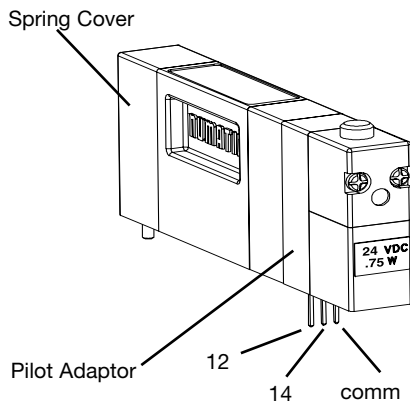


VDC	Part. No.
12	236-572
24	236-566

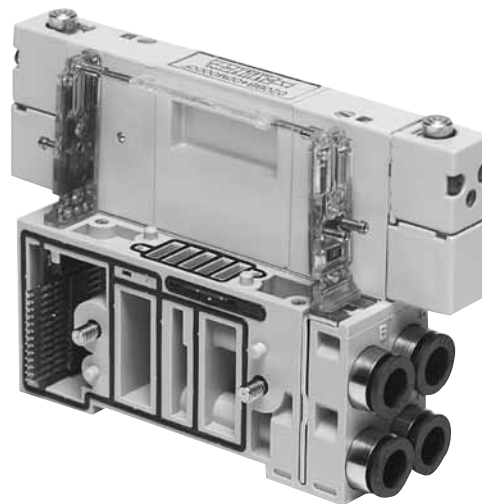
Solenoid Control Board Circuit Diagrams



Valve Unit Pin Out



Solenoid Board Encapsulation Assembly

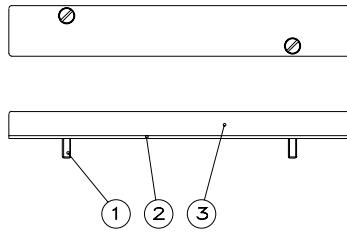


Complete elimination of internal wiring!

Description	
"12" End	230-889
"14" End	230-888

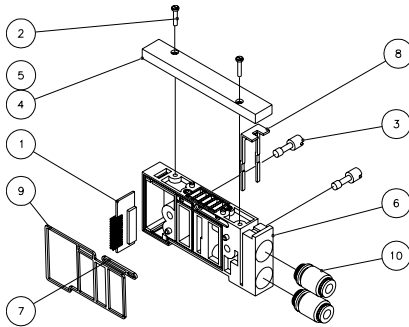
Blank Station Plate Kit

239-1055



Det. No.	No. Req'd	Part Name	Part No.
1	2	Screw	127-841
2	1	Gasket	113-526
3	1	Blank Station Plate	104-698

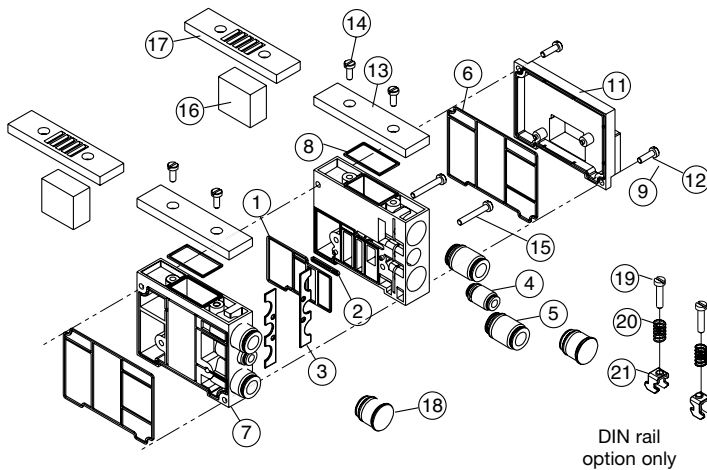
Mid-Station Supply and Exhaust Block



Port Type	Part No.
1/4	239-1348
6mm	239-1299

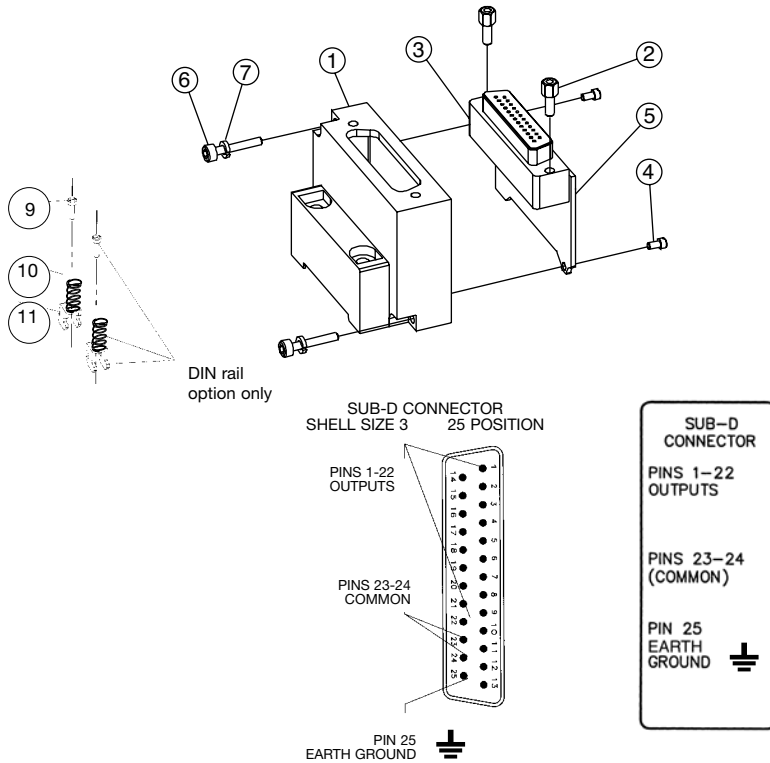
Det. No.	No. Req'd	Part Name	Part No.
1	1	Transfer Board Ass'y	256-683
2	2	Screw	127-841
3	2	Stud	125-787
4	1	Blank Station Plug	104-698
5	1	Gasket	113-526
6	1	Mid Station Plate	125-857
7	1	Blocking Gasket	113-515
8	1	Clip (Fitting)	125-784
9	1	Gasket (Manifold)	113-518
10	2	Cartridge (6mm tube)	134-499

End Plate Kits



Port Type	Push-In			Push-In		
	PORT	3/5	X, XE	1	3/5	X, XE
PORT SIZE	1/4	1/4	5/32	8mm	8mm	8mm
Kit w/o muffler, w/o DIN Rail	239-1068			239-1062		
Kit w/o muffler, w/ DIN Rail	239-1067			239-1061		
Kit w/ muffler, w/o DIN Rail	239-1084			239-1078		
Kit w/ muffler, w/ DIN Rail	239-1083			239-1077		

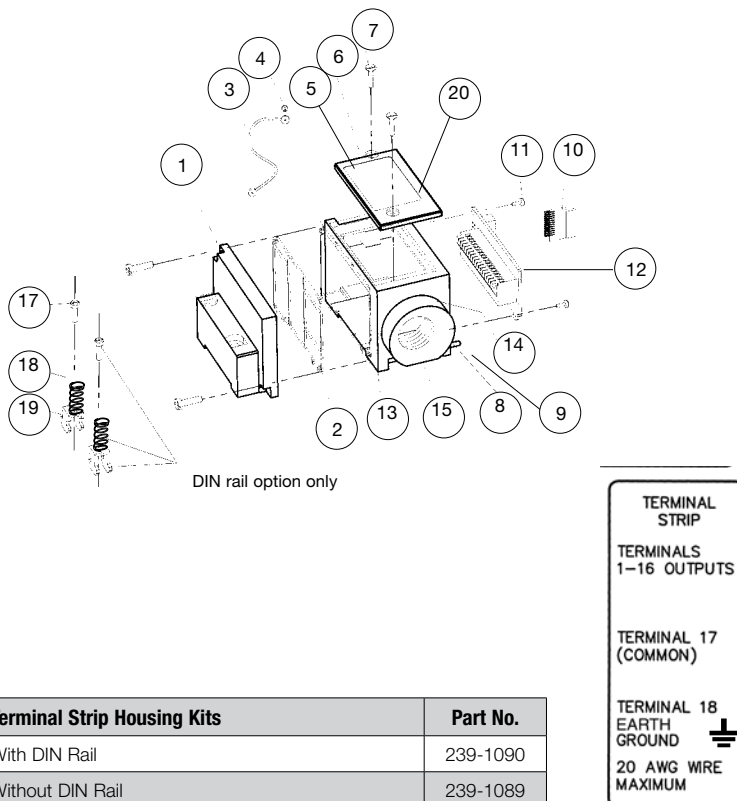
Det. No.	No. Req'd	Part Name	Part No.
1	1	Gasket	113-518
2	1	Gasket	113-515
3	2	Fitting Clip	125-780
4	2	Push-in Fitting	See p. 19
5	4	Push-in Fitting	See p. 19
6	2	Gasket	113-503
7	1	LH End Plate	104-696
8	2	Gasket	113-519
9	2	Lockwasher	128-192
10	1	RH End Plate	104-697
11	1	RH Mounting Cover	105-385
12	2	Screw	127-844
13	2	End Plate Cover	105-387
14	2	Screw	127-838
15	2	Screw	127-839
16	2	Muffler (optional)	125-791
17	2	Vented Cover (optional)	105-388
18	2	Exhaust Plug (optional)	239-1085
19	4	Screw	127-472
20	4	Spring	115-355
21	4	Clamp	125-720



Det. No.	No. Req'd	Part Name	Part No.
1	1	Housing	105-379
2	1	Transfer Connector	256-583
3	2	Hex Screw	127-825
4	1	Gasket	113-507
5	2	Screw	127-794
6	1	Sub-D Board Ass'y	256-584
7	2	Screw	127-839
8	2	Lockwasher	128-192
9	2	Screw	127-472
10	2	Spring	115-355
11	2	Clamp	125-720
12	1	Clamp	122-1057

Sub-D Housing Kits	Part No.
With DIN Rail	239-1088
Without DIN Rail	239-1087

Terminal Strip Housing Assembly Kit



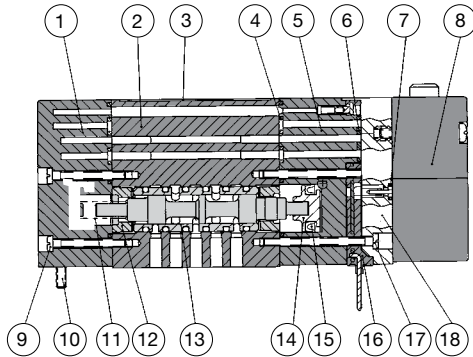
Terminal Strip Housing Kits	Part No.
With DIN Rail	239-1090
Without DIN Rail	239-1089

Det. No.	No. Req'd	Part Name	Part No.
1	1	LH DIN Rail Mtg Cover	105-381
2	1	Gasket	113-503
3	1	Cover Strap	125-772
4	1	Stick Screw	127-172
5	1	Cover	105-384
6	1	Gasket	113-508
7	2	Screw	127-826
8	4	Screw	127-844
9	6	Lockwasher	128-192
10	1	Transfer Connector	256-583
11	3	Screw	127-794
12	1	Terminal Strip Board	256-585
13	1	Housing	125-765
14	1	Gasket	113-509
15	1	Adaptor 1/2" NPTF	119-598
*16	2	Adaptor Mtg. Screw	127-827
17	2	Screw	127-472
18	2	Spring	115-355
19	2	Clamp	125-720
20	1	Nameplate	122-1057

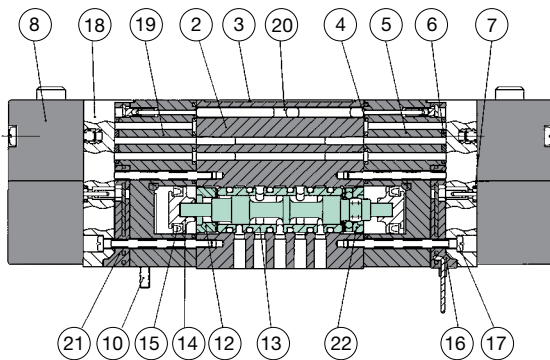
*Attaches det #15, not shown for clarity.

02 Valve Service Kits and Parts, 2 and 3 Position 4-Way

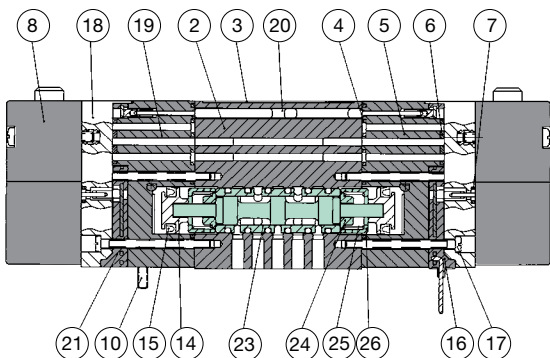
Kit No. MK02-K1 (for models 020BW4, 021BW4, 02DBW4, 02FBW4)



Kit No. MK02-K2 (for models 020BB4, 021BB4, 02DBB4, 02FBB4)



Kit No. MK02-K3 (for models 020BB5, 021BB5, 02DBB5, 02FBB5, 020BB6, 021BB6, 02DBB6, 02FBB6)



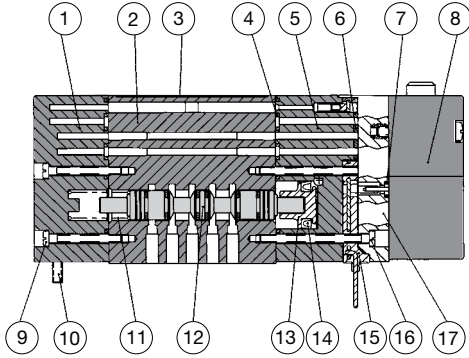
Det. No.	BW4	BB4	BB5/6	Part Name	Part No.
1	1	N/A	N/A	Spring Cover Ass'y	204-593
2	1	1	N/A	Body (not sold separately)	
3	1	1	1	Nameplate	122-1059
4	2*	2*	3*	Gasket	113-520
5	1	1	1	Pilot Adaptor Ass'y	219-388
6	1*	2*	2*	Gasket	113-521
7	1*	2*	2*	Gasket	113-513
8	1	2	2	Pilot Valve Ass'y	See p. 20
9	3	N/A	N/A	Screw	127-836
10	2	2	2	Screw	127-833
11	1*	N/A	N/A	Spring	115-358
12	2*	1*	N/A	Detent Body	110-140
13	1	1	N/A	Sleeve Ass'y (BA4, BB4)	209-564
14	1*	2*	2*	Piston	117-239
15	1*	2*	2*	U-Cup Seal	124-333
16	1	1	1	14" Board Encap.	See p. 20
17	3	6	6	Screw	127-835
18	1	2	2	Pilot Adaptor	119-610
19	N/A	1	1	Pilot Adaptor Ass'y	219-390
20	N/A	1	1	14" - 12" Encap.	230-887
21	N/A	1	1	"12" Board Encap.	See p. 20
22	N/A	1*	N/A	Detent Assembly	210-140
23	N/A	N/A	1	Sleeve Ass'y (BB5)	209-565
23	N/A	N/A	1	Sleeve Ass'y (BB6)	209-570
24	N/A	N/A	2*	Spring Retainer	116-505
25	N/A	N/A	2*	Spring	115-359
26	N/A	N/A	2*	Spring Retainer	116-504

*Indicated part included in kit.

R2 Valve Service Kits and Parts, 2 and 3 Position 4-Way

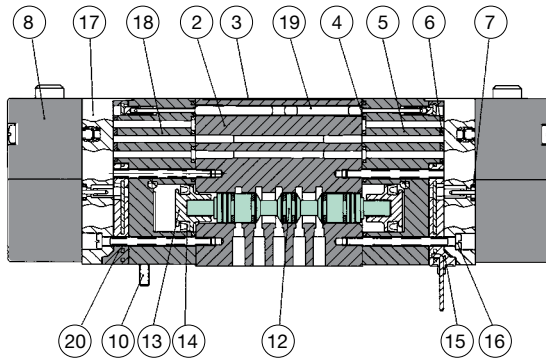
Kit No. MKR2-K1

(for models R20BW4, R21BW4, R2DBW4, R2FBW4)



Kit No. MKR2-K2

(for models R20BB4, R21BB4, R2DBB4, R2FBB4)

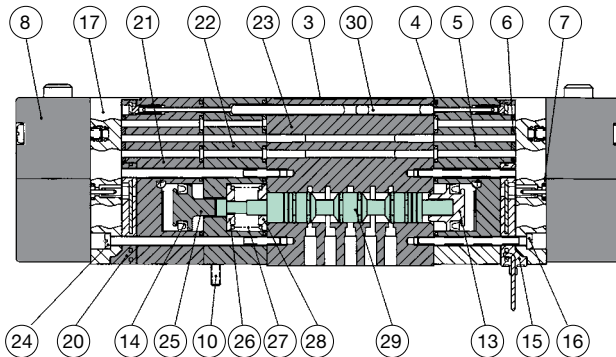


Kit No. MKR2-K35

(for models R20BB5, R21BB5, R2DBB5, R2FBB5)

Kit No. MKR2-K36

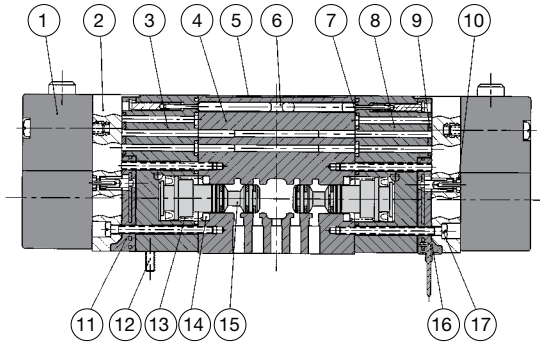
(for models R20BB6, R21BB6, R2DBB6, R2FBB6)



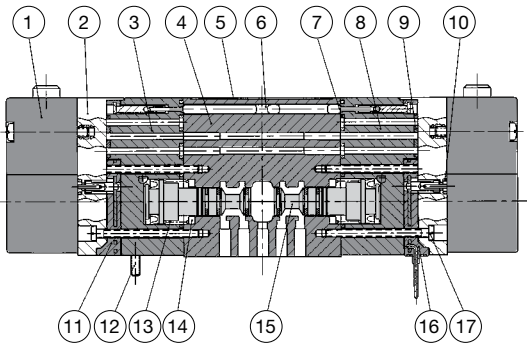
Det. No.	BW4	BB4	BB5/6	Part Name	Part No.
1	1	N/A	N/A	Spring Cover Ass'y	204-593
2	1	1	N/A	Body (not sold separately)	
3	1	1	1	Nameplate	122-1059
4	2*	2*	3*	Gasket	113-520
5	1	1	1	Pilot Adaptor Ass'y	219-388
6	1*	2*	2*	Gasket	113-521
7	1*	2*	2*	Gasket	113-513
8	1	2	2	Pilot Valve Ass'y	See p. 20
9	3	N/A	N/A	Screw	127-836
10	2	2	2	Screw	127-833
11	1*	N/A	N/A	Spring	115-357
12	1*	1*	N/A	Spool Ass'y (BA4, BB4)	221-176
13	1*	2*	1*	Piston	117-238
14	1*	2*	2*	U-Cup Seal	124-333
15	1	1	1	"14" Board Encap.	See p. 20
16	3	6	3	Screw	127-835
17	1	2	2	Pilot Adaptor	119-610
18	N/A	1	N/A	Pilot Adaptor Ass'y	219-390
19	N/A	1	N/A	14" - 12" Encap.	230-887
20	N/A	1	1	"12" Board Encap.	See p. 20
21	N/A	1	1	Pilot Adaptor Ass'y	219-389
22	N/A	N/A	1	Adaptor	119-609
23	N/A	N/A	1	Body (not sold separately)	
24	N/A	N/A	3	Screw	127-837
25	N/A	N/A	1*	Piston	117-240
26	N/A	N/A	1*	Spring Retainer	116-506
27	N/A	N/A	1*	Spring	115-360
28	N/A	N/A	1*	Spring Retainer	116-507
29	N/A	N/A	1*	Spool Ass'y (BB5)	221-175
29	N/A	N/A	1	Spool Ass'y (BB6)	221-177
30	N/A	N/A	1	14" - 12" Encap.	230-886

*Indicated part included in kit.

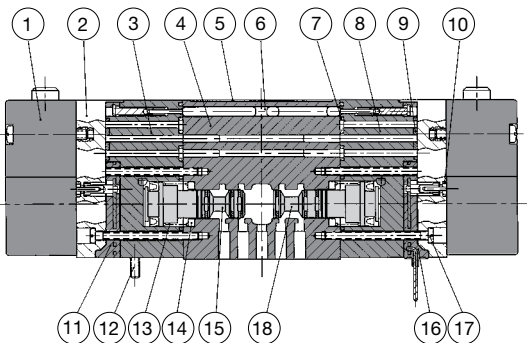
Kit No. MKR2-K3A
(for models R20BBA, R21BBA, R2DBBA, R2FBBA)



Kit No. MKR2-K3D
(for models R20BBD, R21BBD, R2DBBD, R2FBBD)



Kit No. MKR2-K3C
(for models R20BBC, R21BBC, R2DBBC, R2FBBC)



Det. No.	BW4	BB4	BB5/6	Part Name	Part No.
1	2	2	2	Pilot Valve Ass'y	See p. 20
2	2	2	2	Pilot Adaptor	119-610
3	1	1	1	Pilot Adaptor Ass'y	219-390
4	1	1	1	Body (not sold separately)	
5	1	1	1	Nameplate	122-1059
6	1	1	1	14" - 12" Encap.	230-887
7	2*	2*	2*	Gasket	113-520
8	1	1	1	Pilot Adaptor Ass'y	219-388
9	2*	2*	2*	Gasket	113-521
10	2*	2*	2*	Gasket	113-513
11	1	1	1	"12" Board Encap.	See p. 20
12	2	2	2	Screw	127-833
13	2*	2*	2*	Spring	115-361
14	2*	2*	2*	Bumper	114-189
15	2*	N/A	1*	Spool Ass'y (N.O.)	221-178
16	1	1	1	"14" Board Encap.	See p. 20
17	6	6	6	Screw	127-835
18	N/A	2*	1*	Spool Ass'y (N.O.)	221-179

*Indicated part included in kit.



World Class Supplier of Pneumatic Components



World Headquarters

USA Numatics, Incorporated

46280 Dylan Drive
Novi, Michigan 48377

P: 248-596-3200
F: 248-596-3201

Canada Numatics, Ltd

P: 519-758-2700
F: 519-758-5540

México - Ascomatica SA de CV

P: 52 55 58 09 56 40 (DF y Area metropolitana)
P: 01 800 000 ASCO (2726) (Interior de la República)
F: 52 55 58 09 56 60

Brazil Ascoval Ind.e Comercio Ltda

P: (55) 11-4208-1700
F: (55) 11-4195-3970