

FEATURES

- The piston cartridge pulse valves are especially designed for dust collector service applications, combining high flow, long life and extremely fast opening and closing to produce reliable and economical operation
- The angle bodies and special piston cartridge result in unique operating features required for dust collector service applications
- The design with Quick Mount connections eliminates the time consuming thread cutting and sealing resulting in maximum flexibility while the valve will be anchored to the pipes
- Valves can be supplied according to ATEX Directive 2014/34/EU for non-electrical equipment by using suffix GD
- The components satisfy all relevant EC directives



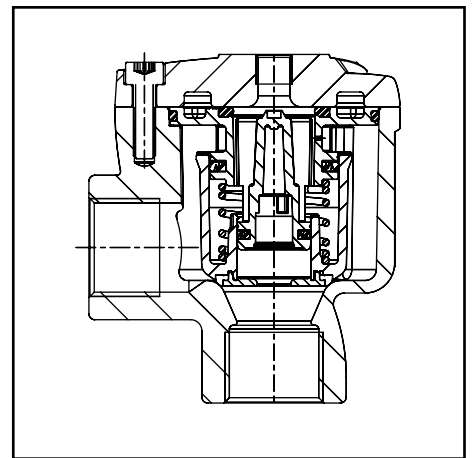
GENERAL

Differential pressure (PS) 0,3 - 8,5 bar [1 bar = 100kPa]
Ambient temperature range -20 to +85°C

fluid	temperature range (TS)	piston
air	-20 to +85°C	POM (polyacetal)

CONSTRUCTION

Body Aluminium
Bonnet Aluminium
Quick Mount clamps Steel
Bolts Steel
Sealings NBR (nitrile)
Piston/cartridge POM / NBR



PILOT SOLENOID VALVES (2/2 NC function)

main pulse valve catalogue number	remote pilot connection	recommended executions		
		orifice size (mm)	manifold pilot valves in a box (IP65)	single pilot valves (IP20)
S353A710 S353A720 E353A810 E353A820 S353A810 S353A820	G 1/8	3,6	pilot box series 110 2 to 12 pilots 1/8	series 257

SPECIFICATIONS

pipe size	remote pilot connection	orifice size (mm)	flow coefficient Kv (m³/h) (l/min)		operating pressure differential (bar)		catalogue number standard ATEX dust II2G/D		Quick Mount clamps	
					min.	max. (PS)				
										air ~/=
(G*) - Threaded pipe connection										
3/4	1/8	20	14	233	0,3	8,5	E353A810	E353A810 GD	-	
1	1/8	25	23	383	0,3	8,5	E353A820	E353A820 GD	-	
1 1/2	1/8	40	46	768	0,3	8,5	E353A830	E353A830 GD	-	
(Ø) - Quick Mount connection on inlet										
3/4	1/8	20	14	233	0,3	8,5	S353A810	S353A810 GD	C117-281	
1	1/8	25	23	383	0,3	8,5	S353A820	S353A820 GD	C117-282	
1 1/2	1/8	40	46	768	0,3	8,5	S353A830	S353A830 GD	C117-290	
(Ø) - Quick Mount connection on inlet & outlet										
3/4	1/8	20	14	233	0,3	8,5	S353A710	S353A710 GD	C117-281	
1	1/8	25	23	383	0,3	8,5	S353A720	S353A720 GD	C117-282	
1 1/2	1/8	40	46	768	0,3	8,5	S353A730	S353A730 GD	C117-290	

OPTIONS

- Pilot boxes containing 2 to 12 pilot valves.
- Pilot valves can be equipped with explosionproof solenoids for hazardous locations according to "ATEX" and national standards.
- Additional Quick Mount clamps for outlet connection, see "Specifications" table.

INSTALLATION

- The valves can be mounted in any position without affecting operation.
- Pipe connection identifier is: G* = combination thread according to ISO 228/1 and ISO 7/1 or Ø for Quick Mount.
- For Quick Mount types tightness is achieved by the O-ring sealing on the pipes (3/4"=Ø26,4 to 27,4 and 1"=Ø33,2 to 34,2 and 1 1/2"=Ø47,8 to 48,8) according to ISO 4200.
- When connecting piping or tubing to the G1/8 connection in the valve bonnet, the remote ASCO pilot valve should be mounted as close as possible to the main pulse valve. Connection tubing lengths of 3 meter or less have little effect on the pulse response. Installations with over 3 meter of tubing must be tested under actual operating conditions. Tubing with Ø 6 mm O.D. is recommended for all installations.
- Other pipe threads are available on request.
- Installation/maintenance instructions are included with each valve.
- Spare parts kit and replacement coils are available.

DIMENSIONS (mm), WEIGHT (kg)

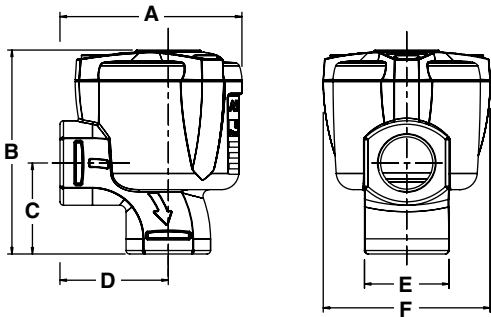


Fig. 1: Threaded type

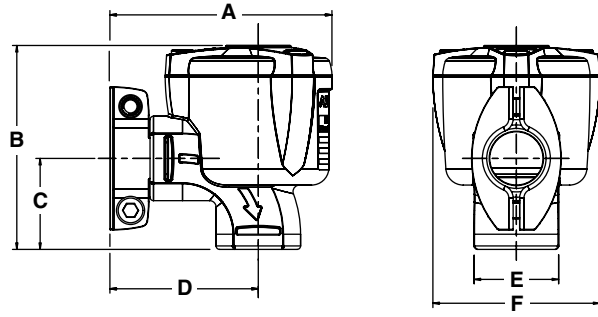


Fig. 2: Quick Mount type (inlet only)

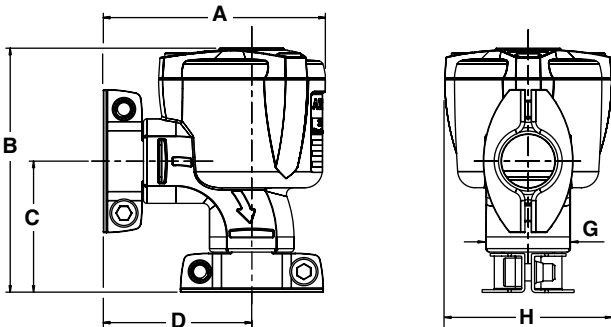


Fig. 3: Quick Mount type (inlet & outlet)

catalogue number	A	B	C	D	E	F	weight	(C)
E353A810 (GD)	84	94	42	50	39	77	0,42	Fig.1
E353A820 (GD)	96	100	51	62	46	77	0,53	Fig.1
E353A830 (GD)	121	127	60	71	62	112	1,07	Fig.1
S353A810 (GD)	103	94	42	69	39	77	0,50	Fig.2
S353A820 (GD)	115	100	51	81	46	77	0,59	Fig.2
S353A830 (GD)	146	127	60	97	62	112	1,27	Fig.2
S353A710 (GD)	103	113	61	69	39	77	0,58	Fig.3
S353A720 (GD)	115	119	70	81	46	77	0,65	Fig.3
S353A730 (GD)	146	153	86	97	62	112	1,27	Fig.3

(C) construction type

SPARE PARTS KITS

catalogue number	spare parts kit no. -/=
E353A810/820 (GD)	C117271
S353A810/820 (GD)	
E353A830 (GD)	C117283
S353A830 (GD)	