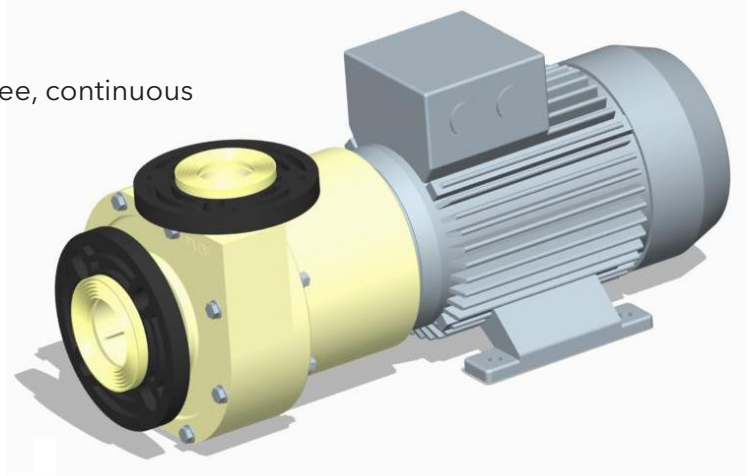


### PRINCIPAL APPLICATIONS

For heavy duty applications requiring safe, leak-free, continuous flow of aggressive chemicals, acids, solvents, alkalis, sterile and chilled fluids.

### WETTED MATERIALS

- Standard EPDM O Ring, Viton optional
- PP encapsulated magnet, PVDF optional
- PP pump housing, PVDF optional
- PPS spindle housing, PVDF
- Alumina ceramic spindle & thrust washers
- Bearing material carbon filled PTFE



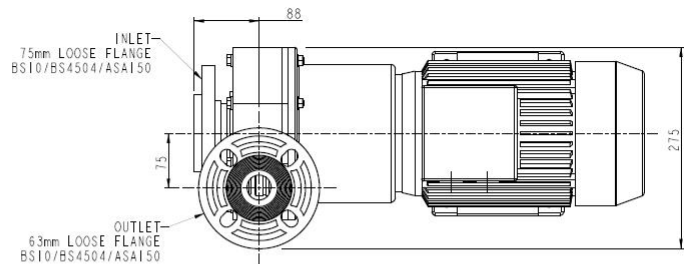
### FEATURES

- Manufactured in chemical resistant thermo-plastics - entirely non-metallic
- Magnetic couplings provide an energy efficient thermal shield, minimising heat transfer to the pumped fluid
- IP55 standard motor housing
- High SG versions available

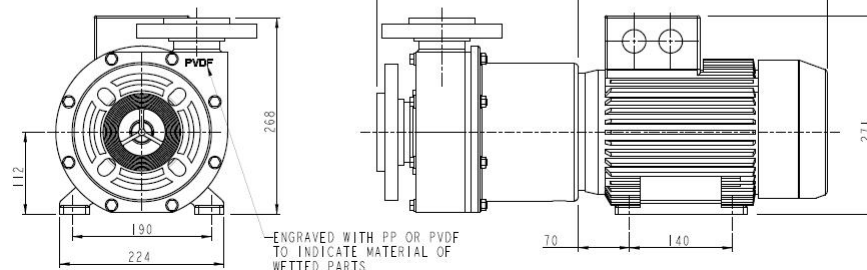
### OPTIONS

#### NEMP800/30 Port Details

400V 3Ph 50Hz Inlet 75mm Flange, Outlet 63mm Flange



VEM MOTOR OPTION FOR ADDITIONAL CHEMICAL RESISTANCE. VEM MOTOR HAS SIDE MOUNTED TERMINAL BOX



### DIMENSIONS

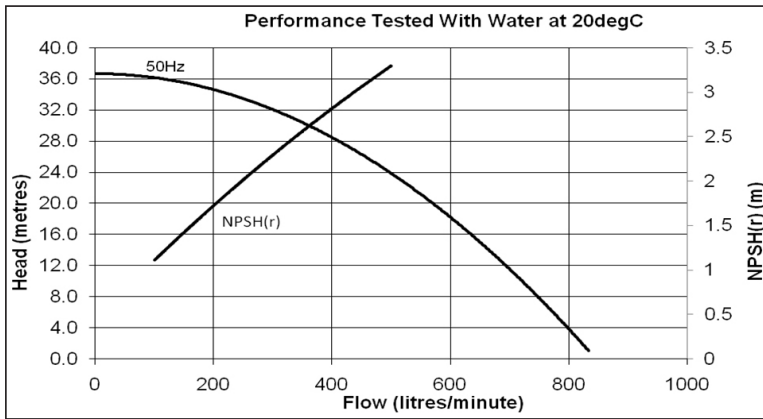
Drawings not to scale  
Dimensions in millimetres

### SPECIFICATION

Model	Overall height (mm)	Overall length (mm)	Overall width (mm)	Weight (kg)	Max body pressure (bar)	Run-out flow rate (l/min)	Closed valve head (m)	Temp range (degC)	*Max specific gravity	Motor output (watts)
NEMP800/30	271	615	275	43	3.0	830	37	-20 to +85	1.2	4 Kw
	VEM 268	VEM 575								

\*Assuming maximum viscosity of 30cp.

## PERFORMANCE



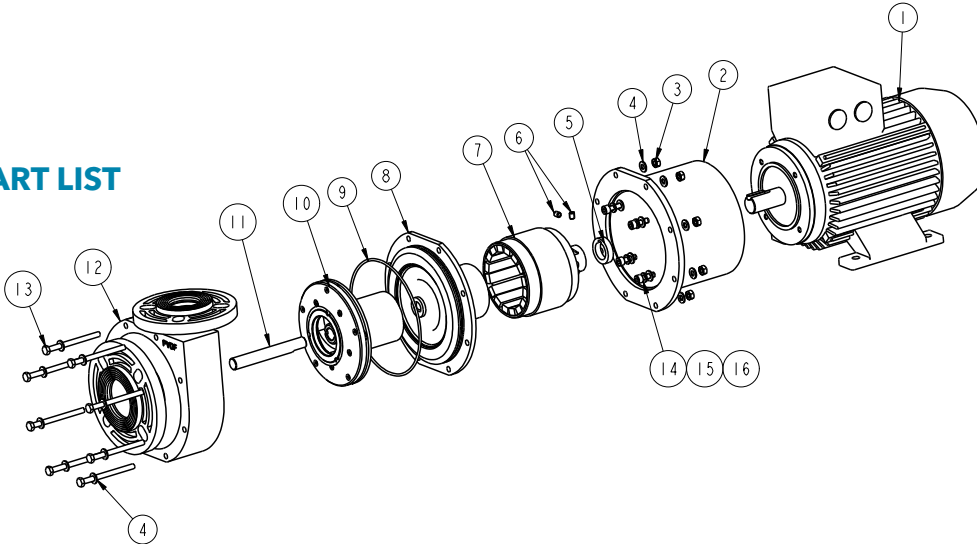
NOTE: These magnetically coupled pumps are designed for use with clean fluids.

Solids will cause jamming. Abrasives will reduce pump life and invalidate the warranty.

NEMP pumps are not self priming and are not designed to run dry.

The company reserves the right to change specifications.

## PART LIST



Item Number	Description	Quantity	Part Number		
1	Motor	1	008869 (400v 3Ph 50Hz)		
2	Adaptor	1	018348		
3	Nut	8	022324		
4	Washer	16	001575		
5	Spacer	1	028316		
6	Grub Screw	2	001685		
7	Drive Magnet	1	028686		
8	Spindle Housing Assy	1	038637 (PP/PPS)	038639 (PVDF)	
9	O Ring	1	031388 (EPDM)	031139 (Viton)	
10	Impeller	1	038614 (50Hz)	038628 (60Hz)	038635 (High SG)
11	Spindle	1	018346		
12	Pump Body	1	038622 (PP)	038623 (PVDF)	
13	Bolt	8	022404		
14	Bolt	4	031111		
15	Washer	4	031110		
16	Washer	4	001575		

**xylem**  
Let's Solve Water

[www.xyleminc.com](http://www.xyleminc.com)

**UK**  
**Xylem**  
Bingley Road, Hoddesdon  
Hertfordshire EN11 0BU  
Tel: +44 (0) 1992 450145  
Fax: +44 (0) 1992 467132

**USA**  
**Xylem**  
100 Cummings Center Drive  
Suite 535-N, Beverly, MA 01915  
Tel: +1 978 281-0440  
Fax: +1 978 283-2619

**ITALY**  
**Xylem**  
Via Tommaseo, 6  
20059 Vimercate, Milano  
Tel: +39 039 685 2323  
Fax: +39 039 666 307

**GERMANY**  
**Xylem**  
Oststrasse 28  
22844 Norderstedt  
Tel: +49-40-53 53 73-0  
Fax: +49-40-53 53 73-11

**JAPAN**  
**Xylem**  
3-21-10, Shin-Yokohama  
Kohoku-Ku, Yokohama, 222-0033  
Tel: +81-045-475-8906  
Fax: +81-045-477-1162

**Warranty:** All products of the company are sold, and all services of the company are offered subject to the company's warranty and terms of sale, copies of which will be furnished upon request. Details correct at time of printing. We reserve the right to change specifications without prior notice.