



Accessory

314 Threaded flanges, welded socket, mounting accessories

322 plics® housing overview

Threaded flanges stainless steel 316L



Flange

- F Dimensions according to Form C, DIN2501
- K Dimensions according to Form B1, EN 1092-1
- P Dimensions according to Form D, EN1092-1
- A Dimensions according to ASME B16.5 RF

Flange size

- F DN40 PN40
- H DN50 PN40
- L DN80 PN40
- M DN100 PN16
- D 2" 150lb
- F 2" 300lb
- G 2" 600lb
- H 3" 150lb
- I 3" 300lb

Inner thread

- C G $\frac{3}{4}$
- E G1
- G G1 $\frac{1}{2}$

Test certificate

- X without
- A (H) 2.2-Factory certification for material (EN 10204)
- B (C) 3.1-Inspection certificate for material (EN 10204)

GFLV.

Threaded flanges plastic PPH



Flange

- F Dimensions according to Form B, DIN2501
- A Dimensions according to ASME B16.5 FF

Flange size

- E DN40 PN16
- G DN50 PN16
- F DN80 PN16
- M DN100 PN16
- Q DN150 PN16
- D 2" 150lb
- F 2" 300lb
- H 3" 150lb
- I 3" 300lb

Inner thread

- G G1 $\frac{1}{2}$
- I G2

GFLK.

Welded socket, Clamp



Version / Material

- A Clamp 1" (ø 50.5mm) / 316L
- B Clamp 1½" (ø 50.5mm) / 316L
- C Clamp 2" (ø 64mm) / 316L
- Seal**
- 1 FKM
- 3 EPDM
- X without
- Tension ring of 1.4301**
- X without
- S with PN16
- Test certificate**
- X without
- C (C) 3.1-Inspection certificate for material (EN 10204, NACE MR 0175)

ESTC.				
-------	--	--	--	--

Welded socket, slotted nut



Version / Material

- FA DN40 DIN11851 / 316L
- FB DN40 DIN11864-1 / 316L
- GA DN50 DIN11851 / 316L
- GB DN50 DIN11864-1 / 316L
- Seal**
- 1 FKM
- 3 EPDM
- X without
- Test certificate**
- X without
- A (H) 2.2-Factory certification for material (EN 10204)
- B (C) 3.1-Inspection certificate for material (EN 10204)

ESTR.			
-------	--	--	--

Welded socket, cone connection



Version / Material

KA DN25 / 316L

KB M52x2 / 316Ti

Seal

X without

3 EPDM

Test certificate

X without

A (H) 2.2-Factory certification for material (EN 10204)

B (C) 3.1-Inspection certificate for material (EN 10204)

ESTK.

Welded socket, hygienic fitting



Version / Outer diameter / Material

LA for compression nut / 79.6mm / 316L

LE for compression nut / 79.6mm / Duplex (1.4462)

LB with tension flange / 79.6mm / 316L

LC with Clamp 2" / 79.6mm / 316L

Seal

3 EPDM

X without

Welding dummy

X without

D with

Blind plug

X without

B with

Test certificate

X without

A (H) 2.2-Factory certification for material (EN 10204)

B (C) 3.1-Inspection certificate for material (EN 10204)

ESTA.

Welded sleeve



Version / Material / Outer- ϕ / Instrument

36839	G $\frac{1}{2}$ DIN3852-X / 1.4404 / ϕ 32x16.5mm / for socket G $\frac{1}{2}$, DIN3852-A
36840	G $\frac{3}{4}$ DIN3852-X / 1.4404 / ϕ 38x18.5mm / for socket G $\frac{3}{4}$, DIN3852-A
36841	G1 DIN3852-X / 1.4404 / ϕ 47x20.5mm / for socket G1, DIN3852-A
36842	G1 $\frac{1}{2}$ DIN3852-X / 1.4404 / ϕ 65x24.5mm / for socket G1 $\frac{1}{2}$, DIN3852-A

Test certificate

	without
A	(H) 2.2-Factory certification for material (EN 10204)
B	(C) 3.1-Inspection certificate for material (EN 10204)

2.		
----	--	--

Counter nut



Version

5725	G $\frac{1}{2}$ SW 32x8 of 316Ti
23653	G $\frac{3}{4}$ of 316Ti
4173	G1 of 316Ti
2525	G1 of steel, galvanised
13349	G1 SW 60x12 of PPh
2548	G1 $\frac{1}{2}$ SW 60x12 of 316Ti
1597	G1 $\frac{1}{2}$ SW 60x12 of steel, galvanised
10371	G1 $\frac{1}{2}$ SW 60x12 of PPh
6397	G2 of 316Ti
22519	G2 of steel, galvanised
21638	G2 of PPh

2.	
----	--

Protective cover

Protective cover for plics® devices

The protective cover protects the sensor housing and the cable entry against extreme weather conditions and contamination. The weather resistant plastic PBT in light-grey is used as material.



suitable for

- A Plastic, stainless steel, single chamber housing
- B Double chamber and Alu single chamber housing

PLICSSH.

Wall bracket with slide adapter

For wall mounting of VEGA instruments

The wall bracket of StSt 304 (1.4301) is suitable for wall mounting of VEGA instruments and offers the possibility to vary the wall distance depending on the application. The required mounting material is attached.



Length range

- 1 250-350mm
- 2 450-650mm

Mounting

- GC Thread G1
- GD Thread G1½
- ND Thread 1½NPT
- GE Thread G2
- MW Mounting bracket
- MP Open mounting plate for thread G1½

MONTZUB-WS.

Wall bracket with rotary T-adapter

For wall mounting of VEGA instruments

The wall bracket of StSt 304 (1.4301) is suitable for wall mounting of VEGA instruments and offers in addition the possibility to vary the position of the sensor in three directions. The required mounting material is attached.



Length range with T-adapter

- 1 205 - 305 mm
- 2 340 - 440 mm

Slide holder length

- X without
- K 150 mm
- L 350 mm

Mounting

- XX No choice
- GC Thread G1
- GD Thread G1½
- GE Thread G2
- MW Mounting bracket
- MP Open mounting plate for thread G1½

MONTZUB-WT.

Mounting bracket

For wall mounting of VEGA instruments

The robust and high resistance angle bracket of stainless steel 304 (1.4301) is suitable for wall mounting of VEGA instruments. The required mounting material is attached.



Mounting hole for sensor

- 33435 suitable for thread G¾
- 33436 suitable for thread G1
- 33437 suitable for thread G1½
- 33438 suitable for thread G2

2.

Mounting strap

For mounting of VEGA instruments

The mounting strap of 316L offers the advantage of a simple mounting and the specific orientation of radar and ultrasonic sensors. The required mounting material is attached.



Mounting accessory

- XA** Mounting strap, length: 170mm, VEGAPULS 61, 67, 69
- XB** Mounting strap, length: 300mm, VEGAPULS 61, 67, 69
- XF** Mounting strap, length: 170mm, with mounting bracket for G1
- XC** Mounting strap, length: 170mm, with mounting bracket for G1½
- XG** Mounting strap, length: 170mm, with mounting bracket for G2
- XH** Mounting strap, length: 300mm, with mounting bracket for G1
- XD** Mounting strap, length: 300mm, with mounting bracket for G1½
- XI** Mounting strap, length: 300mm, with mounting bracket for G2
- XE** Mounting strap, length: 195mm, VEGASON 63 (material: 304)
- XJ** Clamps for mounting strap 170mm and 300mm VEGAPULS 61, 67, 69

↓
MONTZUB-MB.

plics[®] housing overview



Plastic

Protection

IP 66/IP 67

Version

Single chamber

Application area

Industrial environment



Plastic

IP 66/IP 67

Double chamber

Industrial environment



Aluminium

Protection

IP 66/IP 67, IP 66/IP 68 (1 bar)

Version

Single chamber

Application area

Industrial environment with increased mechanical stress



Aluminium

IP 66/IP 67, IP 66/IP 68 (1 bar)

Double chamber

Industrial environment with increased mechanical stress



Stainless steel 316L

Protection

IP 66/IP 67/IP 69K

Version

Single chamber electro-polished

Application area

Aggressive environment, foodstuffs, pharmaceutical



Stainless steel 316L

IP 66/IP 67, IP 66/IP 68 (1 bar)

Single chamber precision casting

Aggressive environment, strong mechanical stress



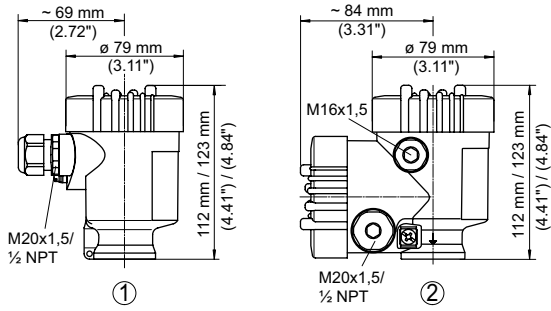
Stainless steel 316L

IP 66/IP 67, IP 66/IP 68 (1 bar)

Double chamber precision casting

Aggressive environment, strong mechanical stress

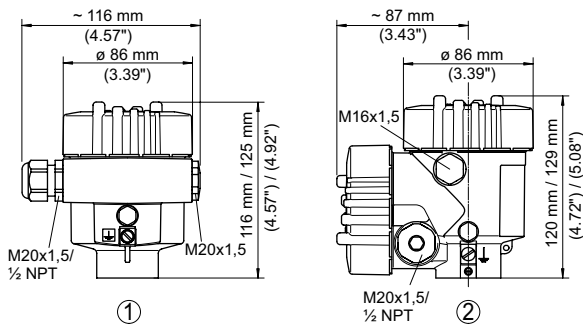
Plastic housing



- ① Single chamber housing
- ② Double chamber housing

The two dimensions of the housing height refer to the use with and without display/adjustment module PLICSCOM.

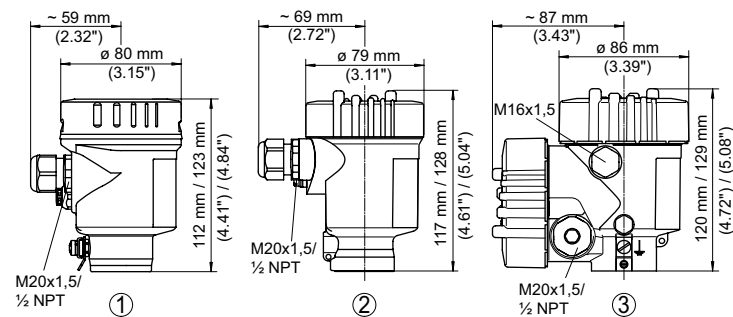
Aluminium housing



- ① Single chamber housing
- ② Double chamber housing

The two dimensions of the housing height refer to the use with and without display/adjustment module PLICSCOM.

Stainless steel housing



- ① Single chamber housing electropolished
- ② Single chamber housing precision casting
- ③ Double chamber housing precision casting

The two dimensions of the housing height refer to the use with and without display/adjustment module PLICSCOM.

