

PRINCIPAL APPLICATIONS

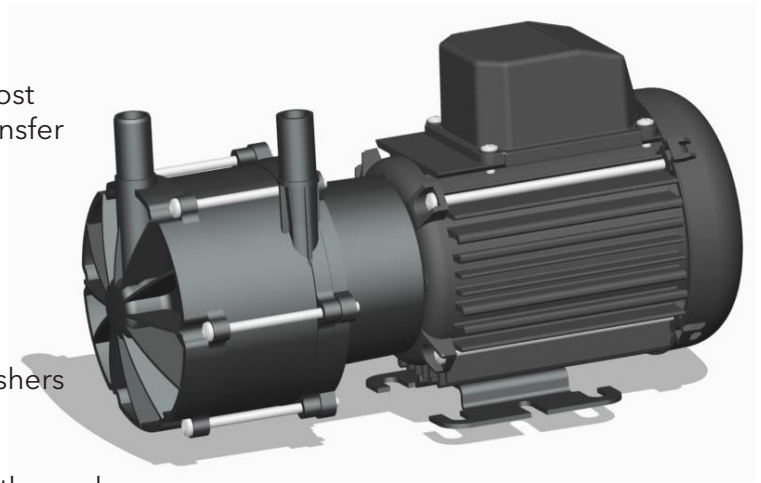
Specifically developed for applications requiring cost effective high head, continuous low flow for the transfer and recirculation of water and glycol solutions.

WETTED MATERIALS

- Alumina ceramic spindle
- Nitrile 'O' ring
- PP/PPS pump housing
- Alumina ceramic graflon loaded PTFE thrust washers

FEATURES

- Magnetic couplings provide an energy efficient thermal shield, minimising heat transfer to the pumped fluids
- Variable pump body orientation
- Adaptable mounting foot positions
- Compatible with standard fittings
- IPX5 motor enclosure
- Deep groove ball bearings



OPTIONS

GP20/18

230V 1PH 50Hz

230V 1PH 50Hz

110V 1PH 50Hz

110V 1PH 50Hz

Port Details

Plain 15mm

3/8"bsp Male

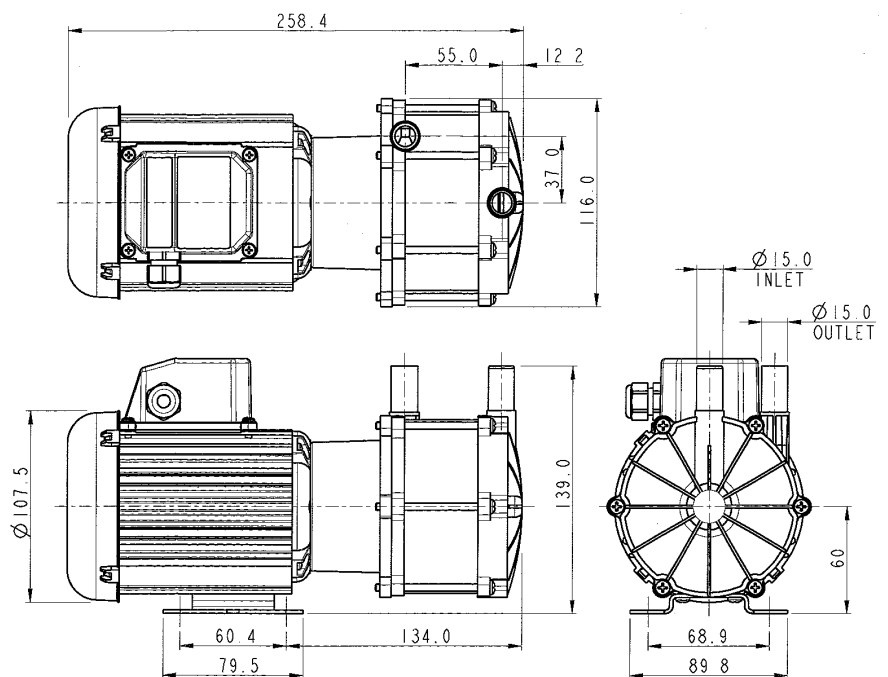
Plain 15mm

3/8"bsp Male

DIMENSIONS

Drawings not to scale

Dimensions in millimetres

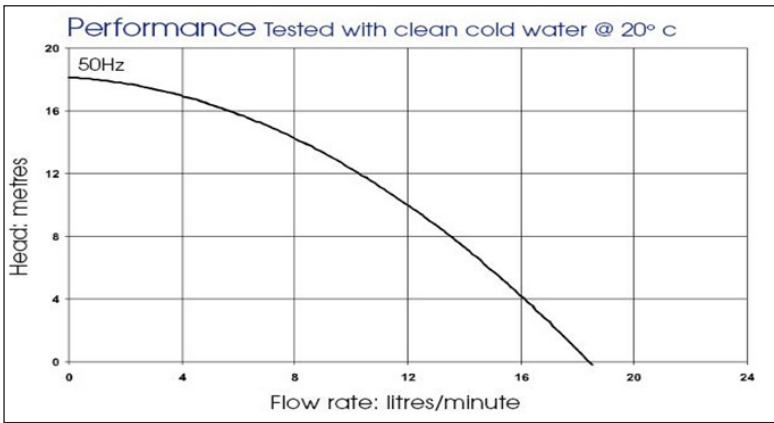


SPECIFICATION

Model	Overall height (mm)	Overall length (mm)	Overall width (mm)	Weight (kg)	Max body pressure (bar)	Run-out flow rate (l/min)	Closed valve head (m)	Temp range (degC)	*Max specific gravity	Motor output (watts)
GP20/18	139	259	116	3.8	2.5	18.5	18	-20 to +85	1.2	90

*Assuming maximum viscosity of 30cp. Refer to Totton Pumps for higher viscosities and specific gravities

PERFORMANCE



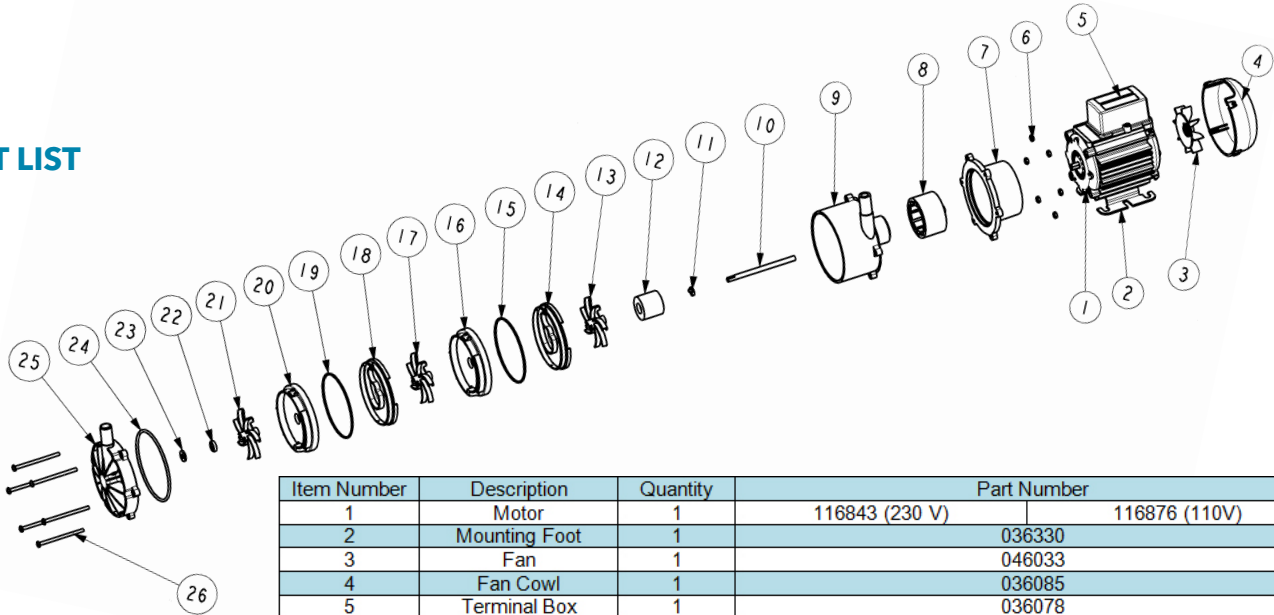
NOTE: These magnetically coupled pumps are designed for use with clean fluids.

Solids will cause jamming. Abrasives will reduce pump life and invalidate the warranty.

GP pumps are not self priming and are not designed to run dry.

The company reserves the right to change specifications.

PART LIST



Item Number	Description	Quantity	Part Number	
1	Motor	1	116843 (230 V)	116876 (110V)
2	Mounting Foot	1	036330	
3	Fan	1	046033	
4	Fan Cowl	1	036085	
5	Terminal Box	1	036078	
6	Nut	6	032105	
7	Adaptor	1	026217	
8	Drive Magnet	1	046319	
9	Pump Body	1	016375 (50Hz threaded ports)	016374 (60Hz threaded ports)
			036366 (50Hz plain ports)	036365 (60Hz plain ports)
10	Spindle	0	026205 (50Hz)	026204 (60Hz)
11	Thrust Washer	1	026208	
12	Driven Magnet	1	033293	
13	Impeller	1	026238	
14	Inter-Stage	1	036367	
15	O ring	1	031515	
16	Stage Element	1	036368	
17	Impeller	1	026238	
18	Inter-Stage	1	036367 (50Hz only)	
19	O ring	1	031515	
20	Stage Element	1	036367 (50Hz only)	
21	Impeller	1	026238 (50Hz only)	
22	Thrust Washer	1	026249	
23	Ceramic Washer	1	026252	
24	O Ring	1	022057	
25	Front Cover	1	026235 (threaded ports)	026225 (plain ports)
			022061 (50Hz)	022060 (60Hz)
26	Screw	6		



www.xylem.com

UK
Xylem
 Bingley Road, Hoddesdon
 Hertfordshire EN11 0BU
 Tel: +44 (0) 1992 450145
 Fax: +44 (0) 1992 467132

USA
Xylem
 100 Cummings Center Drive
 Suite 535-N, Beverly, MA 01915
 Tel: +1 978 281-0440
 Fax: +1 978 283-2619

ITALY
Xylem
 Via Tommaseo, 6
 20059 Vimercate, Milano
 Tel: +39 039 685 2323
 Fax: +39 039 666 307

GERMANY
Xylem
 Oststrasse 28
 22844 Norderstedt
 Tel: +49-40-53 53 73-0
 Fax: +49-40-53 53 73-11

JAPAN
Xylem
 3-21-10, Shin-Yokohama
 Kohoku-Ku, Yokohama, 222-0033
 Tel: +81-045-475-8906
 Fax: +81-045-477-1162

Warranty: All products of the company are sold, and all services of the company are offered subject to the company's warranty and terms of sale, copies of which will be furnished upon request. Details correct at time of printing. We reserve the right to change specifications without prior notice.