

FLOJET

Model N5000 CO₂ Operated Bag-in-Box Pump

PRODUCT DATA

Pump DesignPositive Displacement, Double Diaphragm
Power SourceCO₂ Gas, Nitrogen or Compressed Filtered Air
Materials of Construction (wetted parts)Celcon M90, Santoprene®, EPDM, 302 or 304 Stainless Steel Spring
Temperature Limits34° - 120°F (1.1° - 49°C)
Weight1.22 lbs. (0.55 kg.)
Dimensions5-3/8" H x 6-7/32" W x 2-7/16" D (135.7 mm x 157.9 mm x 61.9 mm)
Displacement2.5 oz. per cycle
Self PrimingUp to 10 ft. (3.05 m)
Operating Pressure20 psi (1.4 bar) min. / 80 psi (5.5 bar) max.
Liquid Inlet Pressure10 psi (0.7 bar) max.
Flow Rate4.0 oz. (118.3 ml)/sec. - Open Flow
ApprovalsNSF listed, SK & CE
Auto Shutoff ValveAutomatically shuts off pump when product supply is depleted and restarts when connected to new supply.

AVAILABLE PORT FITTINGS

Gas Inlet:

- 1/4" (6.3mm) Barb, plastic, straight
- 1/4" (6.3mm) Barb, brass w/CO₂ shut-off - straight, tee or elbow.
- John Guest for 1/4" O.D. tubing, plastic or brass w/CO₂ shut-off

Gas Outlet:

- 1/4" (6.3mm) Barb, plastic, straight

Product Inlet & Outlet:

- 1/4" (6.3mm) Barb, stainless steel, straight or elbow
- 3/8" (9.5mm) Barb, plastic, straight
- 3/8" (9.5mm) Barb, stainless steel, straight or elbow
- 1/2" (12.7mm) Barb, stainless steel, straight
- John Guest for 1/4" or 3/8" O.D. tubing, plastic

INSTALLATION

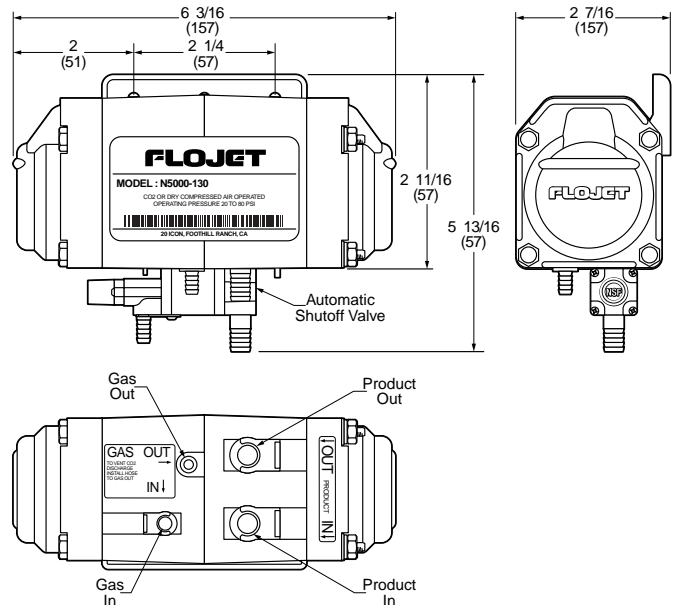
MOUNTING

Pump should be located within 10 ft. (3.0 m) of bag-in-box and must be mounted with ports facing down. May be mounted above or below bag. Fasten mounting brackets securely to rack or mounting board. The pump is sanitized at factory and needs no further sanitizing before connection to the product supply.

HOSE CONNECTIONS

Product "IN", use 3/8" (7.9 mm) I.D. x 1/8" (3.1 mm) wall vinyl or Tygon hose, food grade or equivalent. Secure with OETIKER 17.0 706R clamp or worm gear clamp with 360° uniform clamping band. Avoid sharp bends that could restrict flow or cause hose to collapse under vacuum. Connect to bag-in-box connector (or transfer valve if used) and clamp both ends.

DIMENSIONS Inches (mm)



Model N5000 CO₂ Operated Bag-in-Box Pump

Product "OUT", use reinforced 1/2" (12.7 mm), 3/8" (9.5 mm) or 1/4" (6.3 mm) I.D. hose for discharge. Connect to product "OUT" port and dispensing head product (syrup) connection and clamp both ends securely.

Gas "IN", make sure CO₂ regulator is set at zero. Use reinforced 1/4" (6.3 mm) hose, connect gas "IN" to gas supply fitting on regulator. If pumps are installed in an enclosed area such as a basement, it is recommended to connect a hose to the gas discharge port and vent CO₂ to atmosphere.

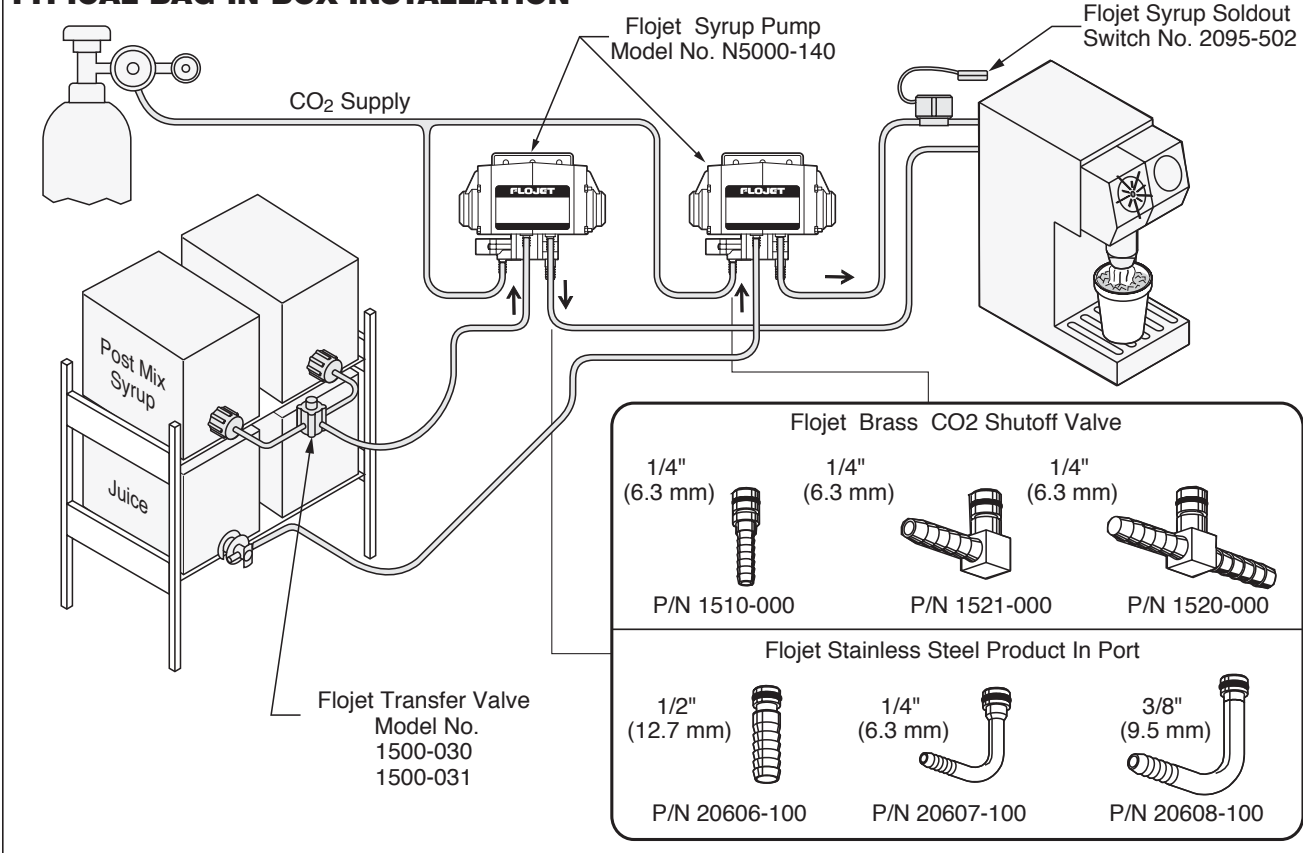
OPERATION

To start operation, regulate gas pressure to desired setting. For most installations, 65 PSI (4.5 BAR) will be adequate. Open dispensing valve to purge air from system. Pump will now operate automatically by starting and stopping on demand, as beverages are served and maintaining constant pressure at the dispensing valve.

Product flow and pressure can be adjusted by increasing or decreasing gas pressure to accommodate varying product viscosities, length of lines or other installation conditions. **CAUTION: Do not exceed 80 PSI (5.6 BAR) gas pressure.**

The Flojet Model N5000 has an auto shutoff valve which stops the pump by shutting off the gas supply when the bag is empty and high vacuum builds up in the inlet line. The control will automatically restart the pump when a new bag is connected and vacuum in the inlet line has returned to normal.

TYPICAL BAG-IN-BOX INSTALLATION



The above diagram shows a "typical bag-in-box installation" with a single bag connection and multiple bag connection with the FLOJET Transfer Valve assembly.

The FLOJET Part No. 1510-000, or 1520-000, or 1521-000 CO₂ shutoff disconnect (options) is recommended to simplify pump servicing. When the gas "IN" port is removed, the CO₂ is shut off at the port fitting. This eliminates the need to shut off the gas supply to other systems in use. Gas pressure is restored when the port is again plugged into the pump.

The FLOJET Part No. 1500-030, or 1500-031 transfer valve is recommended for automatic unattended changeover from empty to full bag.

FLOJET Part No. 2095-502 automatic syrup sold out switch. Automatically shuts off electric dispensing valve when syrup is sold out and turns on "Sold-Out" light.



WARNING



IF USED WITH CO₂ OR N₂ BE SURE THE AREA IS WELL VENTILATED

ONLY USE PUMPS WITH SPECIFIED PRODUCTS. DO NOT PUMP FLAMMABLE LIQUIDS OR USE WHERE FLAMMABLE VAPORS ARE PRESENT

WARRANTY

FLOJET warrants this product to be free of defects in material and/or workmanship for a period of five (5) years after purchase by the customer from FLOJET. During this five (5) year warranty period, FLOJET will at its option, at no charge to the customer, repair or replace this product if found defective, with a new or reconditioned product, but not to include costs of removal or installation. No product will be accepted for return without expressed authorization. All returned goods must be shipped with transportation charges prepaid. This is only a summary of our Limited Warranty. For a copy of our complete warranty, please request Form No. F100-248.

Flojet

U.S.A.
Flojet
20 Icon
Foothill Ranch, CA 92610-3000
Tel: (949) 859-4945
Fax: (949) 859-1153

UNITED KINGDOM
Flojet, Unit 1, Avant Business Centre
Denbigh West Industrial Estate
Milton Keynes, Bucks, England MK1 1DL
Tel: 44 1908 370088
Fax: 44 1908 373731

Optional stainless steel product out barb ports are available. – 3/8" (9.5 mm) Part No. 20325-030, 1/4" (6.3 mm) Part No. 20324-030, 1/2" (12.7 mm) Part No. 20606-100, 1/4" (6.3 mm) elbow Part No. 20607 - 100, 3/8" (9.5 mm) elbow Part No. 20608-100.

TROUBLE SHOOTING

- Pump does not operate when dispensing valve opened.**
 - No gas pressure or obstruction in gas supply line.
 - Obstruction in product discharge line or dispensing valve.
 - Empty product bag has activated the automatic shut-off control.
 - Bag fitment not fully engaged.
 - Faulty Pump.
- Pump operates but no flow.**
 - Leak or break in product inlet or discharge line.
 - Empty product bag and faulty automatic shutoff.*
 - Faulty pump.
- Pump continues to operate when product is "sold out"**
 - Leak in suction line or faulty automatic shutoff.*
- Low pressure at dispensing valve.**
 - Excessive line restriction due to undersize tubing or fittings.
 - Gas pressure set too low.
- Pump fails to restart automatically after bag replacement**
 - Bag fitment not fully engaged.
- Pump fails to stop when dispensing valve is closed.**
 - Leak in discharge line.
 - Empty product bag and faulty automatic shutoff.*
 - Faulty pump.

* order FLOJET Part No. 20308-130 Auto Shutoff Valve Replacement Kit

RETURN PROCEDURE

Prior to returning any product to Flojet, call customer service for an authorization number. This number must be written on the outside of the shipping package. Place a note inside the package with an explanation regarding the reason for return as well as the authorization number. Include your name, address and phone number.