

# Bourdon Tube Pressure Gauge Type 111.10, Black Plastic or Painted Steel Case Standard Series - Lower Mount

WIKA Datasheet 111.10

## Applications

- Hydraulic and pneumatic systems
- Pumps, compressors, water systems, regulators
- Suitable for fluid medium which does not clog connection port or corrode copper alloy

## Special features

- Copper alloy wetted parts
- Black plastic or painted steel case
- Lower mount (LM) process connection

## Standard Features

### Design

EN837-1 and ASME B40.100

### Sizes (All sizes not stocked)

1½", 2", 2½" and 4" (40, 50, 63, and 100 mm)

### Accuracy class

± 3/2/3% of span (ASME B40.100 Grade B)

### Ranges (All ranges not stocked)

Vacuum/Compound to 30 "Hg / 0/ 200 psi  
Pressure from 15 psi to 6,000 psi  
or other equivalent units of pressure or vacuum  
Receiver scales 3...15 psi

### Working pressure

Steady: 3/4 of full scale value  
Fluctuating: 2/3 of full scale value  
Short time: full scale value

### Operating temperature

Ambient: -40°F to 140°F (-40°C to 60°C)  
Media: 140°F (+60°C) maximum

### Temperature error

Additional error when temperature changes from reference temperature of 68°F (20°C) ±0.4% for every 18°F (10°C) rising or falling. Percentage of span.



Bourdon Tube Pressure Gauge Type 111.10

### Pressure connection

Material: copper alloy  
Lower mount (LM)  
1/8" or 1/4" NPT

### Bourdon Tube

Material: copper alloy  
30"Hg (Vac) to 600 psi C-type  
800 psi to 6,000 psi helical type

### Movement

Copper alloy

### Dial

White plastic with stop pin (1½", 2", 2½")  
White aluminum with stop pin (4")  
Black or black and red lettering

### Pointer

Black ABS plastic (1½", 2", 2½" LM)  
Black aluminum (2", 2½" and 4" LM)

### Case

Black plastic

### Window

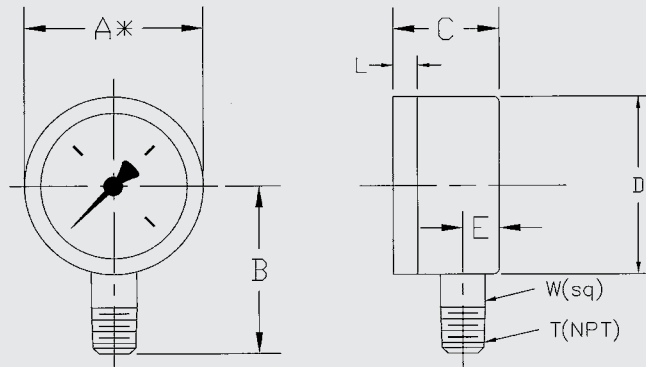
Crystal-clear plastic, snap-fit

## Optional Extras

- Accuracy  $\pm 2/1/2\%$  of span (ASME B40.100 Grade A)
- Slip-fit or friction ring
- Case with blowout plug
- Glass window
- Black painted steel case
- Stainless steel case
- Brass polished case and friction ring (2½" only)
- Special case colors
- Special connections (limited to wrench flat area)
- Cleaned for oxygen service
- Nickel plated connection
- Medical specification
- Rubber cover (2", 2½")
- Custom dial layout
- Other pressure scales available:  
bar, kPa, MPa, kg/cm<sup>2</sup> and dual scales
- DIN standards
- Red set pointer on aluminum dial or on snap-on window
- External adjust red drag pointer  
(black steel - 2½" case only)

Note: <sup>1</sup>Press-fit brass restrictor standard for 111.10B, 1,000 psi to 6,000 psi

## Dimensions



### Type 111.10

Size		A	B	C	D	E	L	T	W
1.5"	mm	40	36	26	39	9.6	3.2		14
	in	1.50	1.42	1.02	1.54	0.38	0.13	1/8"	0.55
2"	mm	50	45	27	49	10	3.3		14
	in	1.97	1.77	1.06	1.93	0.39	0.13	1/4"	0.55
2.5"	mm	63	53.5	28	61.5	10	3.4		14
	in	2.48	2.11	1.10	2.42	0.39	0.14	1/4"	0.55
4"	mm	100	83.5	30	99	11.5	3.8		14
	in	3.94	3.29	1.18	3.9	0.45	0.15	1/4"	0.55

### Type 111.10B (brass case version)

Size		A	B	C	D	E	L	T	W
2.5"	mm	63	52	27	61.5	9.5	10		14
	in	2.48	2.05	1.06	2.42	0.37	0.39	1/4"	0.55

#### Ordering information

Pressure gauge model / Nominal size / Scale range / Size of connection / Optional extras required  
 Specifications and dimensions given in this leaflet represent the state of engineering at the time of printing.  
 Modifications may take place and materials specified may be replaced by others without prior notice.



**WIKAI Instrument Corporation**  
 1000 Wiegand Boulevard  
 Lawrenceville, GA 30043  
 Tel (770) 513-8200 Toll-free 1-888-WIKA-USA  
 Fax (770) 338-5118  
 E-Mail info@wika.com  
 www.wika.com