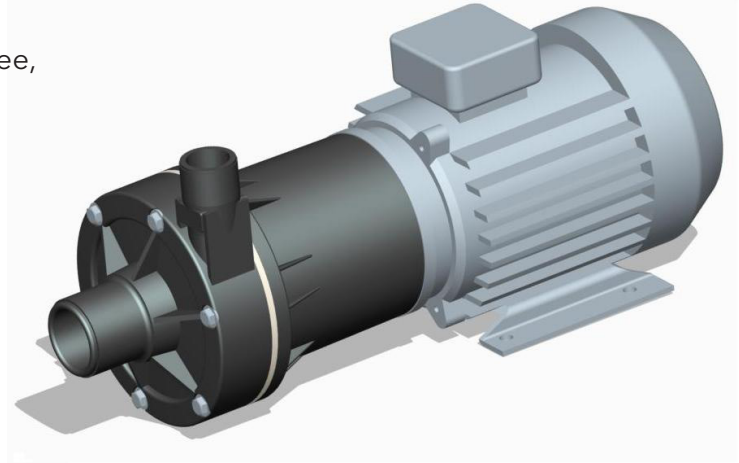


PRINCIPAL APPLICATIONS

For heavy duty applications requiring safe, leak-free, continuous flow of aggressive chemicals, acids, solvents, alkalis, sterile and chilled fluids.

WETTED MATERIALS

- Standard EPDM O Ring, Viton optional
- PP encapsulated magnet, PVDF optional
- PP pump housing, PVDF optional
- PPS spindle housing, PVDF and PP optional
- Alumina ceramic spindle & thrust washers



FEATURES

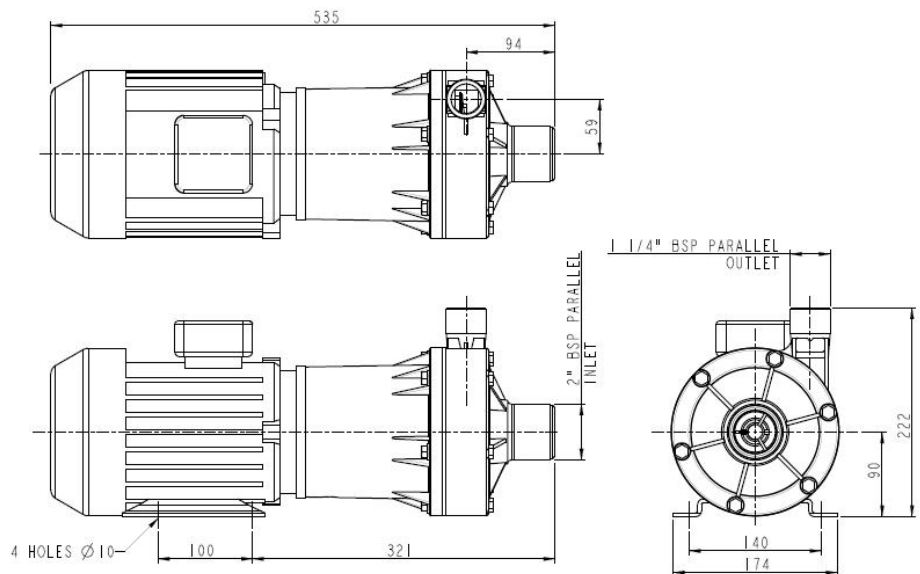
- Manufactured in chemical resistant thermo-plastics - entirely non-metallic
- Magnetic couplings provide an energy efficient thermal shield, minimising heat transfer to the pumped fluid
- IP55 standard motor housing
- High SG versions available

OPTIONS

NEMP300/20	Port Details
230V 1Ph 50Hz	2" BSP M inlet 1 1/4" BSP M outlet
400V 3Ph 50Hz	2" BSP M inlet 1 1/4" BSP M outlet

DIMENSIONS

Drawings not to scale
Dimensions in millimetres

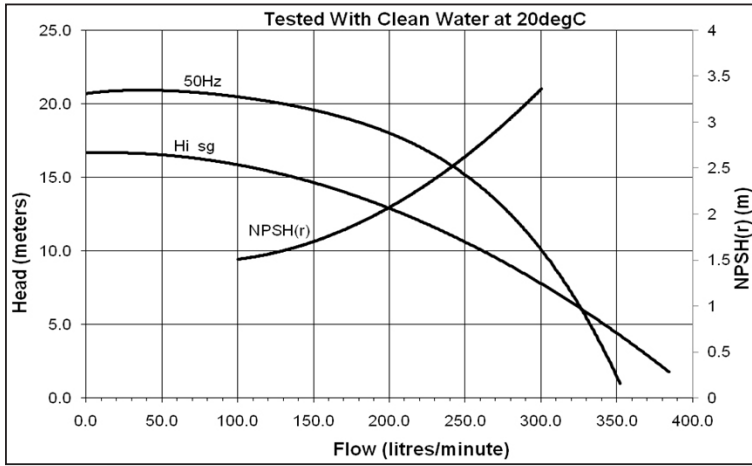


SPECIFICATION

Model	Overall height (mm)	Overall length (mm)	Overall width (mm)	Weight (kg)	Max body pressure (bar)	Run-out flow rate (l/min)	Closed valve head (m)	Temp range (degC)	**Max specific gravity	Motor output (watts)
NEMP300/20	222	535	174	18.0	3.0	350	21	-20 to +85	1.2	1500

**Assuming maximum viscosity of 30cp.

PERFORMANCE



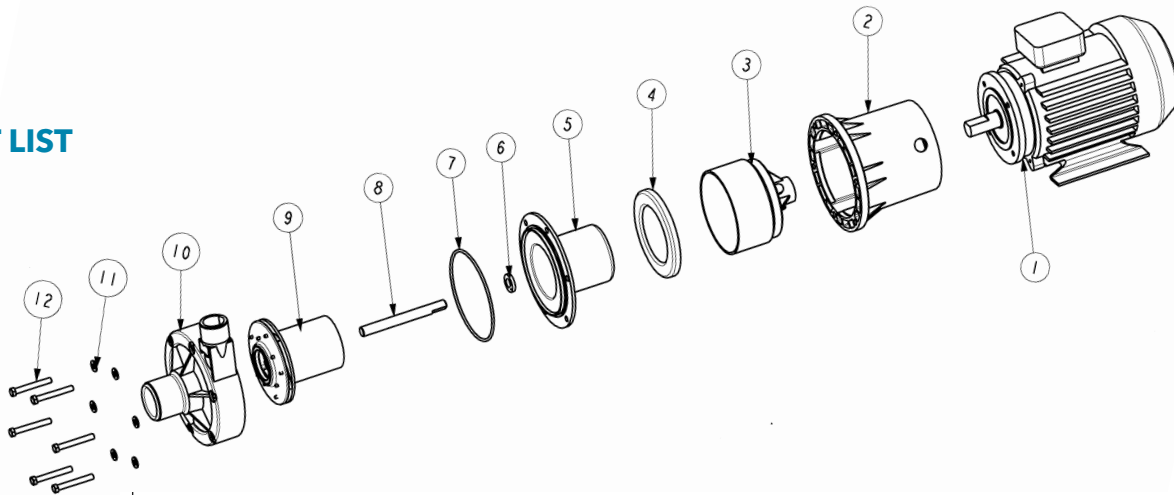
NOTE: These magnetically coupled pumps are designed for use with clean fluids.

Solids will cause jamming. Abrasives will reduce pump life and invalidate the warranty.

NEMP pumps are not self priming and are not designed to run dry.

The company reserves the right to change specifications.

PART LIST



Item Number	Description	Quantity	Part Number				
			008842 (110V 1Ph 50Hz)	008832 (110V 1Ph 60Hz)	008827 (230V 1Ph 50Hz)	008828 (400V 3Ph 50Hz)	008815 (400V 3Ph 60Hz)
1	Motor	1					
2	Mounting Bracket	1	018376				
3	Drive Magnet	1	008634				
4	Spindle Housing Support	1	008324				
5	Spindle Housing	1	018319 (PPS)	008335 (PVDF)	028300 (PP)		
6	D Washer	1	008330				
7	O Ring	1	008278 (EPDM)		008254 (Viton)		
8	Spindle	1	008329				
9	Impeller	1	028698 (PP 50Hz)	018673 (PP 60Hz)	008387 (PP High SG)		
			018637 (PVDF 50Hz)	018674 (PVDF 60Hz)	028625 (PVDF High SG)		
10	Pump Body	1	018371 (PP)		008659 (PVDF)		
11	Washer	8	001575				
12	Bolt	8	031109				



www.xylem.com

UK
Xylem
 Bingley Road, Hoddesdon
 Hertfordshire EN11 0BU
 Tel: +44 (0) 1992 450145
 Fax: +44 (0) 1992 467132

USA
Xylem
 100 Cummings Center Drive
 Suite 535-N, Beverly, MA 01915
 Tel: +1 978 281-0440
 Fax: +1 978 283-2619

ITALY
Xylem
 Via Tommaseo, 6
 20059 Vimercate, Milano
 Tel: +39 039 685 2323
 Fax: +39 039 666 307

GERMANY
Xylem
 Oststrasse 28
 22844 Norderstedt
 Tel: +49-40-53 53 73-0
 Fax: +49-40-53 53 73-11

JAPAN
Xylem
 3-21-10, Shin-Yokohama
 Kohoku-Ku, Yokohama, 222-0033
 Tel: +81-045-475-8906
 Fax: +81-045-477-1162

Warranty: All products of the company are sold, and all services of the company are offered subject to the company's warranty and terms of sale, copies of which will be furnished upon request. Details correct at time of printing. We reserve the right to change specifications without prior notice.