

### PRINCIPAL APPLICATIONS

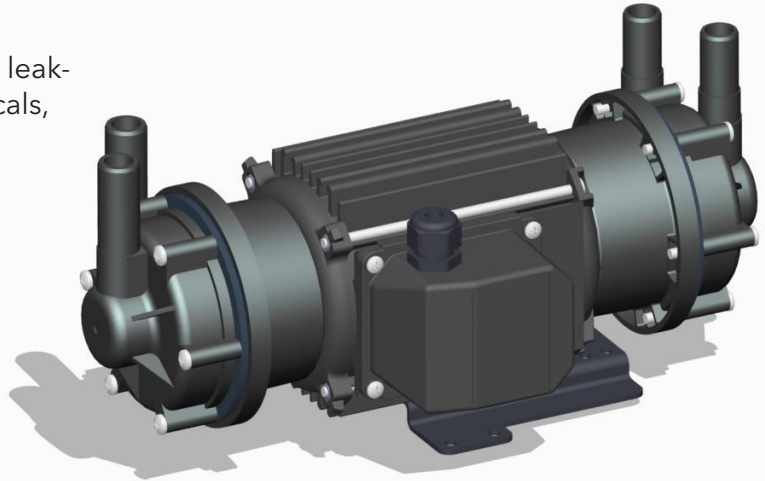
For applications requiring safe, high head, leak-free, continuous flow of aggressive chemicals, acids, alkalis, sterile and chilled fluids.

### WETTED MATERIALS

- Standard EPDM O Ring, optional Viton
- PP encapsulated magnet
- PP pump housing
- PPS spindle housing
- Alumina ceramic spindle

### FEATURES

- Manufactured in chemical resistant thermoplastics - entirely non-metallic
- Pump head can be connected in series for high head applications
- Can pump two dissimilar fluids simultaneously
- Magnetic couplings provide an energy efficient thermal shield, minimising heat transfer to the pumped fluid
- IPX5 standard motor housing.
- Deep groove ball bearings



### OPTIONS

#### NEMP50/11

- 230V 1Ph 50Hz
- 230V 1Ph 50Hz
- 230V 1Ph 60Hz
- 230V 1Ph 60Hz

#### Port Details

- Plain 15 mm
- 3/8" BSP Male
- Plain 15 mm
- 3/8" BSP Male

#### NEMP50/11

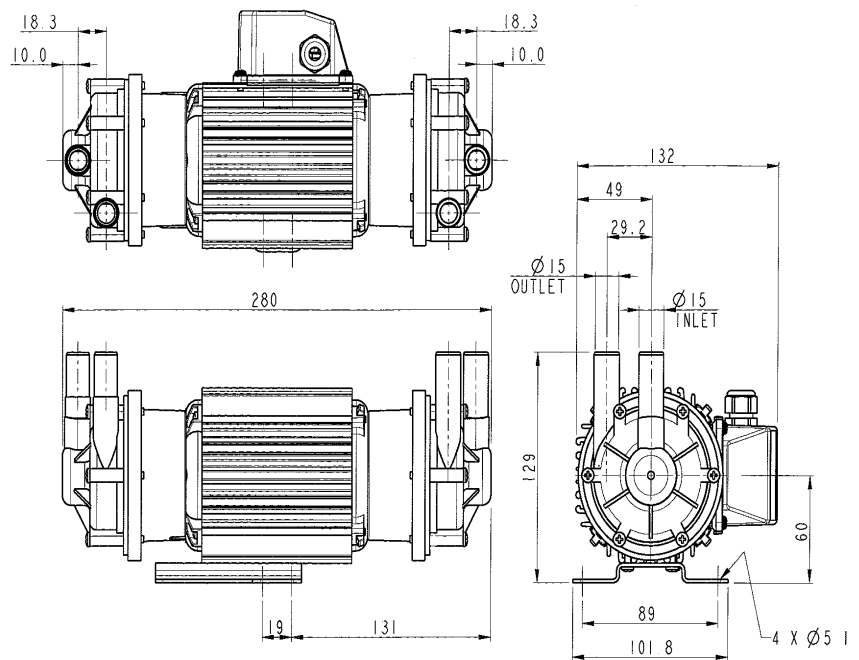
- 110V 1Ph 50Hz
- 110V 1Ph 50Hz
- 110V 1Ph 60Hz
- 110V 1Ph 60Hz

#### Port Details

- Plain 15 mm
- 3/8" BSP Male
- Plain 15 mm
- 3/8" BSP Male

### DIMENSIONS

Drawings not to scale  
Dimensions in millimetres



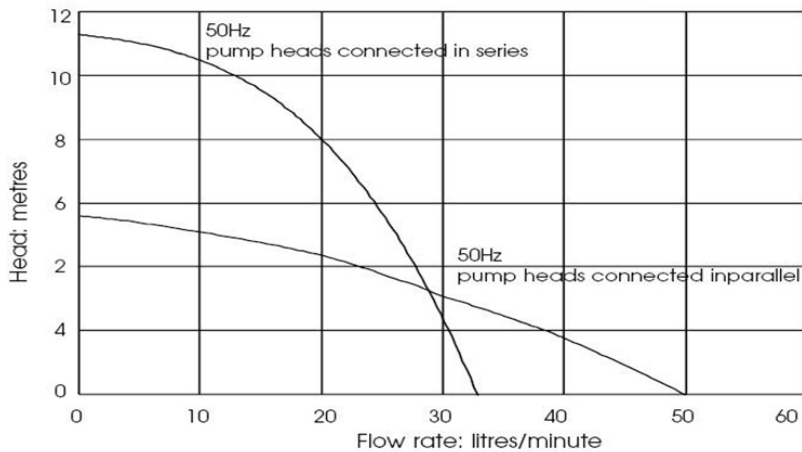
### SPECIFICATION

Model	Overall height (mm)	Overall length (mm)	Overall width (mm)	Weight (kg)	Max body pressure (bar)	Run-out flow rate (l/min)	Closed valve head (m)	Temp range (degC)	*Max specific gravity	Motor output (watts)
NEMP50/11	130	280	132	3.8	1.4	50	11	-20 to +85	1.2	90

\*Assuming maximum viscosity of 30cp.

## PERFORMANCE

Performance Tested with clean cold water @ 20° c



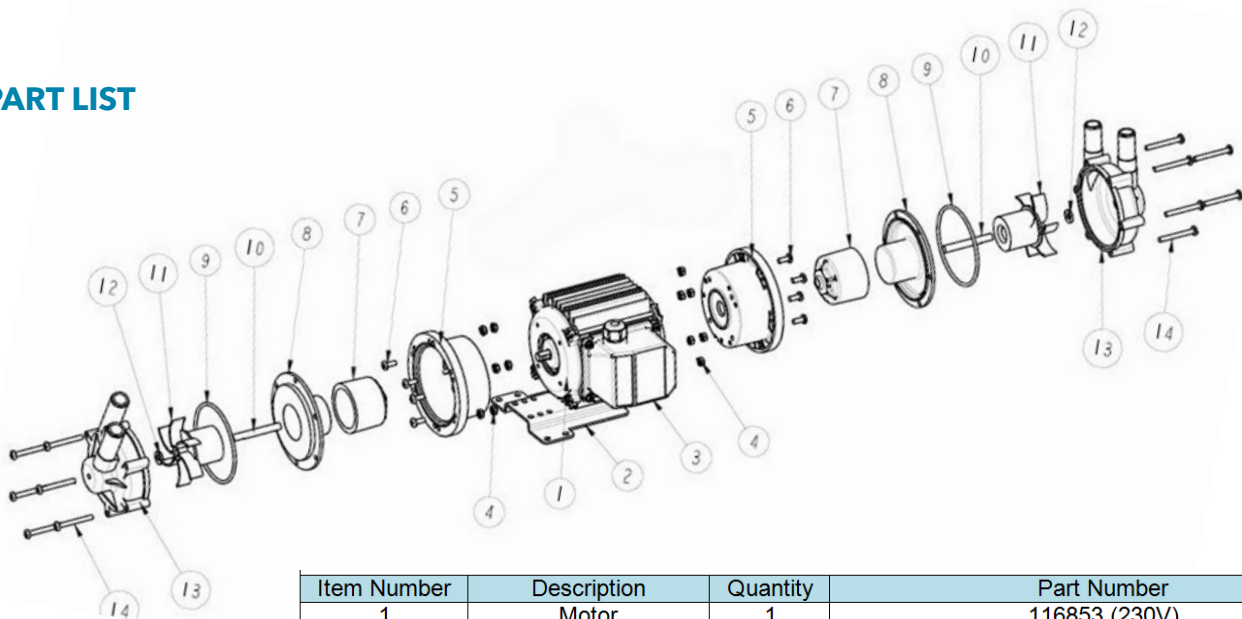
NOTE: These magnetically coupled pumps are designed for use with clean fluids.

Solids will cause jamming. Abrasives will reduce pump life and invalidate the warranty.

NEMP pumps are not self priming and are not designed to run dry.

The company reserves the right to change specifications.

## PART LIST



Item Number	Description	Quantity	Part Number		
1	Motor	1	116853 (230V)		
2	Mounting Foot	1	036329		
3	Terminal Box	1	036078		
4	Nut	12	032105		
5	Adaptor	2	036324		
6	Screw	8	022163		
7	Drive Magnet	2	006287		
8	Spindle Housing	2	016311		
9	O Ring	2	013290(EPDM)	003398(Nitrile)	021056(Viton)
10	Spindle	2	006244		
11	Impeller	2	016355 (50Hz)	026214 (60Hz)	
13	Pump Body	1 ea	016302 (LH plain ports)	016303 (RH plain ports)	
			036353 (LH threaded ports)	036354 (RH threaded ports)	
14	Screw	12	022115		

**xylem**  
Let's Solve Water

[www.xylem.com](http://www.xylem.com)

**UK**  
**Xylem**  
Bingley Road, Hoddesdon  
Hertfordshire EN11 0BU  
Tel: +44 (0) 1992 450145  
Fax: +44 (0) 1992 467132

**USA**  
**Xylem**  
100 Cummings Center Drive  
Suite 535-N, Beverly, MA 01915  
Tel: +1 978 281-0440  
Fax: +1 978 283-2619

**ITALY**  
**Xylem**  
Via Tommaseo, 6  
20059 Vimercate, Milano  
Tel: +39 039 685 2323  
Fax: +39 039 666 307

**GERMANY**  
**Xylem**  
Oststrasse 28  
22844 Norderstedt  
Tel: +49-40-53 53 73-0  
Fax: +49-40-53 53 73-11

**JAPAN**  
**Xylem**  
3-21-10, Shin-Yokohama  
Kohoku-Ku, Yokohama, 222-0033  
Tel: +81-045-475-8906  
Fax: +81-045-477-1162

**Warranty:** All products of the company are sold, and all services of the company are offered subject to the company's warranty and terms of sale, copies of which will be furnished upon request. Details correct at time of printing. We reserve the right to change specifications without prior notice.