

### PRINCIPAL APPLICATIONS

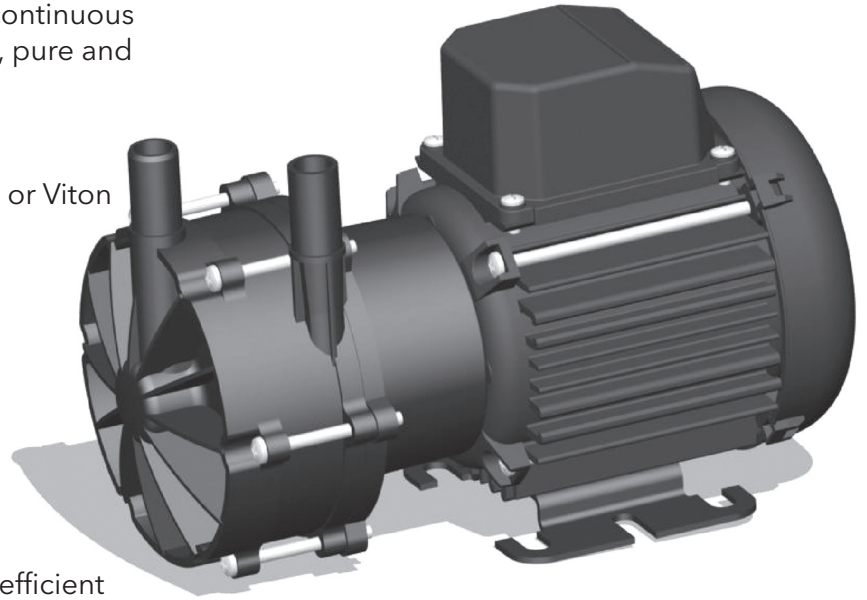
For applications requiring safe, leak-free, continuous flow of aggressive chemicals, acids, alkalis, pure and chilled fluids.

### WETTED MATERIALS

- Standard EPDM O Ring, optional Nitrile or Viton
- PPS encapsulated magnet
- PPS spindle housing
- Alumina ceramic spindle
- Graflon loaded PTFE thrust washers

### FEATURES

- Manufactured in chemical resistant thermo-plastics –entirely non-metallic
- Multistage versions developed for high head with low flow
- Magnetic couplings provide an energy efficient thermal shield, minimising heat transfer to the pumped fluid
- IPX5 standard motor housing.
- Deep groove ball bearings
- Variable pump body orientation and mounting foot positions



### OPTIONS

#### NEMP20/12

230V 1Ph 50Hz  
230V 1Ph 50Hz

#### Port Details

Plain 15 mm  
3/8" BSP Male

#### NEMP20/12

110V 1Ph 50Hz  
110V 1Ph 50Hz

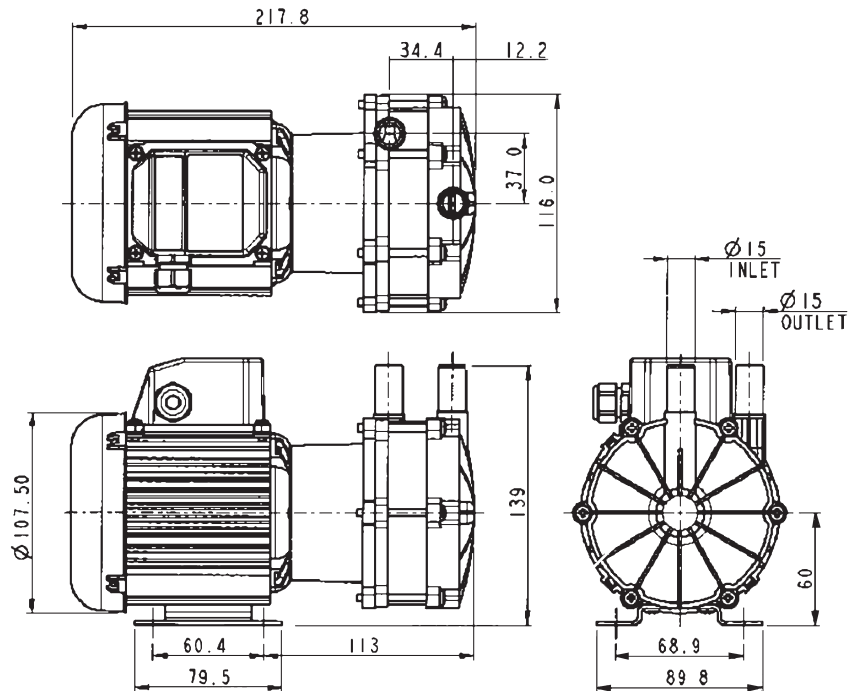
#### Port Details

Plain 15 mm  
3/8" BSP Male

60 Hz versions available to order

### DIMENSIONS

Drawings not to scale  
Dimensions in millimetres

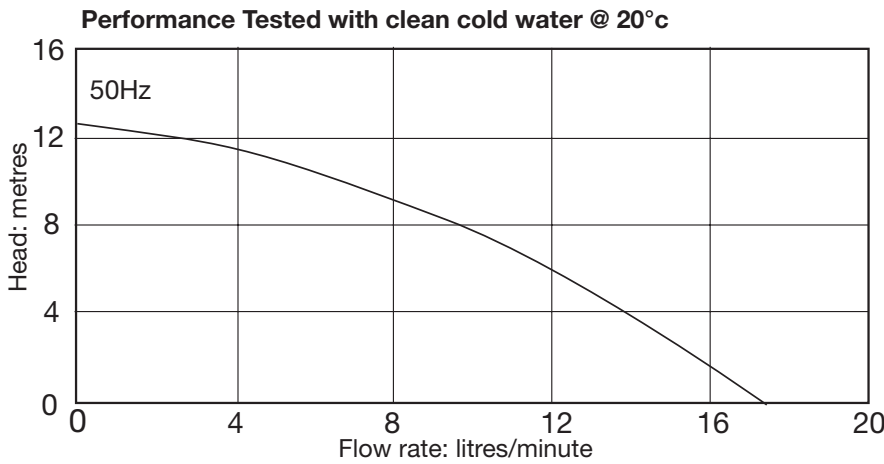


### SPECIFICATION

Model	Overall height (mm)	Overall length (mm)	Overall width (mm)	Weight (kg)	Max body pressure (bar)	Run-out flow rate (l/min)	Closed valve head (m)	Temp range (degC)	*Max specific gravity	Motor output (watts)
NEMP20/12	143	218	116	3.0	2.5	17.4	12.7	-20 to +85	1.2	60

\*Assuming maximum viscosity of 30cp.

## PERFORMANCE



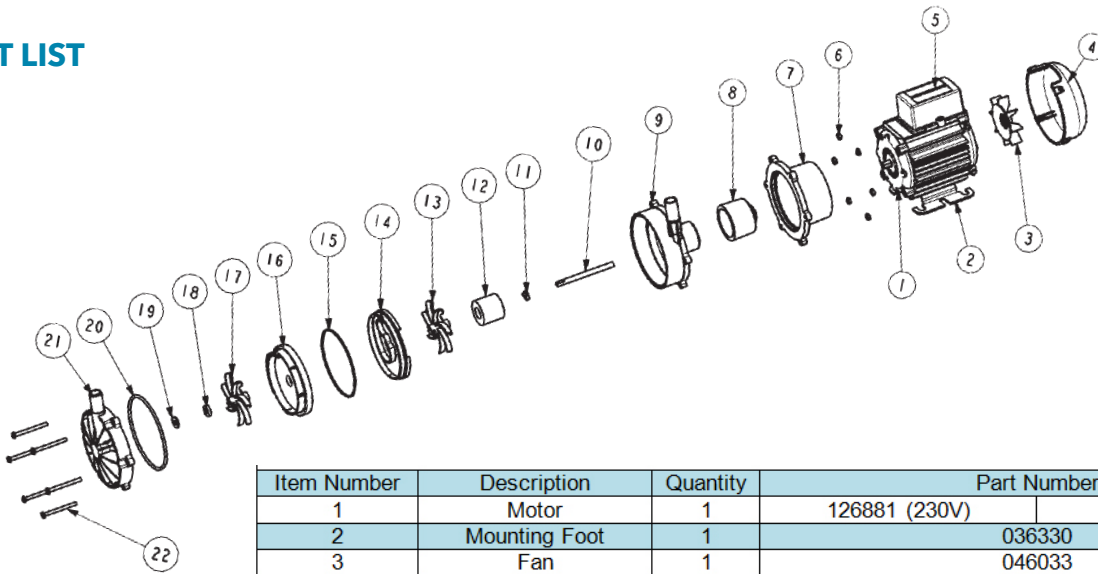
These magnetically coupled pumps are designed for use with clean fluids.

Solids will cause jamming. Abrasives will reduce pump life and invalidate the warranty.

NEMP pumps are not self priming and are not designed to run dry.

The company reserves the right to change specifications.

## PART LIST



Item Number	Description	Quantity	Part Number	
1	Motor	1	126881 (230V)	116875 (110V)
2	Mounting Foot	1	036330	
3	Fan	1	046033	
4	Fan Cowl	1	036085	
5	Terminal Box	1	036078	
6	Nut	6	032105	
7	Adaptor	1	026217	
8	Drive Magnet	1	006287	
9	Pump Body	1	016374 (threaded)	036365 (plain)
10	Spindle	1	026204	
11	Thrust Washer	1	026208	
12	Driven Magnet	1	026203	
13	Impeller	1	026238	
14	Inter-Stage	1	016396	
15	O ring	1	022056 (EPDM)	022055 (Viton)
16	Stage Element	1	016395	
17	Impeller	1	026238 (50Hz)	026288 (60Hz)
18	Thrust Washer	1	026249	
19	Ceramic Washer	1	026252	
20	O Ring	1	022059 (EPDM)	022058 (Viton)
21	Front Cover	1	016398 (threaded)	016397 (plain)
22	Screw	6	022060	

**xylem**  
Let's Solve Water

[www.xyleminc.com](http://www.xyleminc.com)

**UK**  
**Xylem**  
Bingley Road, Hoddesdon  
Hertfordshire EN11 0BU  
Tel: +44 (0) 1992 450145  
Fax: +44 (0) 1992 467132

**USA**  
**Xylem**  
100 Cummings Center Drive  
Suite 535-N, Beverly, MA 01915  
Tel: +1 978 281-0440  
Fax: +1 978 283-2619

**ITALY**  
**Xylem**  
Via Tommaseo, 6  
20059 Vimercate, Milano  
Tel: +39 039 685 2323  
Fax: +39 039 666 307

**GERMANY**  
**Xylem**  
Oststrasse 28  
22844 Norderstedt  
Tel: +49-40-53 53 73-0  
Fax: +49-40-53 53 73-11

**JAPAN**  
**Xylem**  
3-21-10, Shin-Yokohama  
Kohoku-Ku, Yokohama, 222-0033  
Tel: +81-045-475-8906  
Fax: +81-045-477-1162

**Warranty:** All products of the company are sold, and all services of the company are offered subject to the company's warranty and terms of sale, copies of which will be furnished upon request. Details correct at time of printing. We reserve the right to change specifications without prior notice.