

NUMATICS®

RM Series

Rotary Modules



www.numatics.com

RM Series

Features and Benefits	3
How To Order	3
Dimensions	4-5
Switches and Sensors	6-7
Quick Disconnect Cables	6

RM-Series Rotary Manifold utilizes a unique concept in transferring air pressure through fixed ports to rotating parts on the Rotary Platform. As shown the Rotary Manifold and Gripper is a Clean Compact Assembly which allows the Gripper to rotate freely without Rotating Air lines. The RM-Series Rotary Manifold can be supplied without Gripper.

A. LR-Series Rotary Actuator

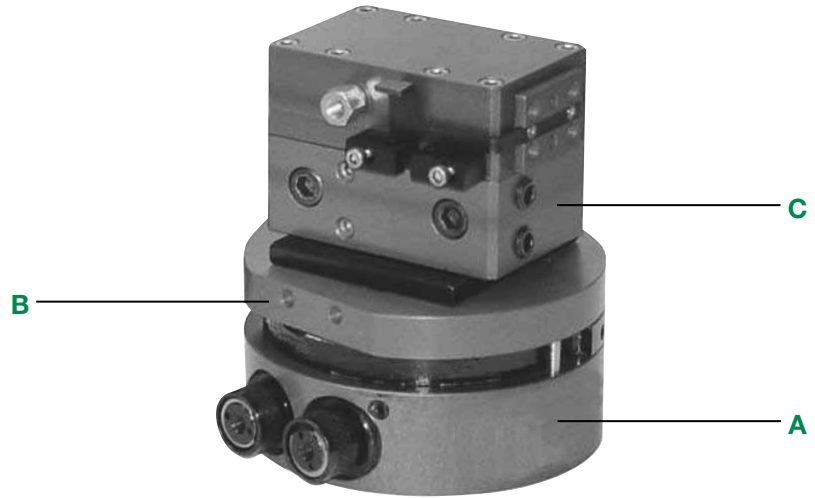
Available on LR06 & LR20 Rotary Actuator

B. Stationary Flanged Port Plate

Delivers Air Pressure to Rotating Component (Gripper)
Eliminates air lines from tangling

C. Parallel Gripper

Several series of grippers are available
Consult this section of catalog.



How to Order

RM 1 A 4 C 4 C X

Rotary Actuator

- 1 = LR06 Rotary with WGS50 Gripper
- 2 = LR20 Rotary with WGS50 Gripper
- 3 = LR20 Rotary with WGL50 Gripper
- 4 = LR20 Rotary with WGS90 Gripper
- 5 = LR20 Rotary with WBSG60 Gripper
- 6 = LR60 Rotary with WBSG90 Gripper
- 8 = LR06 Rotary without Gripper
- 9 = LR20 Rotary without Gripper

Rotation

- A = 90°
- B = 180°

Rotary Actuator Sensing Type

Standard Cord Set

- 4 = Prox Switch - PNP (sourcing)
- 5 = Prox Switch - NPN (sinking)
- 6 = No Sensing

Quick Disconnect Cord Set

- W = Prox Switch - PNP (sourcing) Straight
- U = Prox Switch - PNP (sourcing) 90 Deg.

Prox switches are 5 mm diameter.

Special Options

- X = No Options

Gripper Sensing Position

- A = Single Position Open
- B = Single Position Closed
- C = Two Position Sensing
- D = No Sensing

Parallel Gripper Sensing Type

Standard Cord Set

- 4 = Prox Switch - PNP (sourcing)
- 5 = Prox Switch - NPN (sinking)
- 6 = No Sensing

Prox switches are 4 mm diameter.

Rotary Actuator Sensing Position

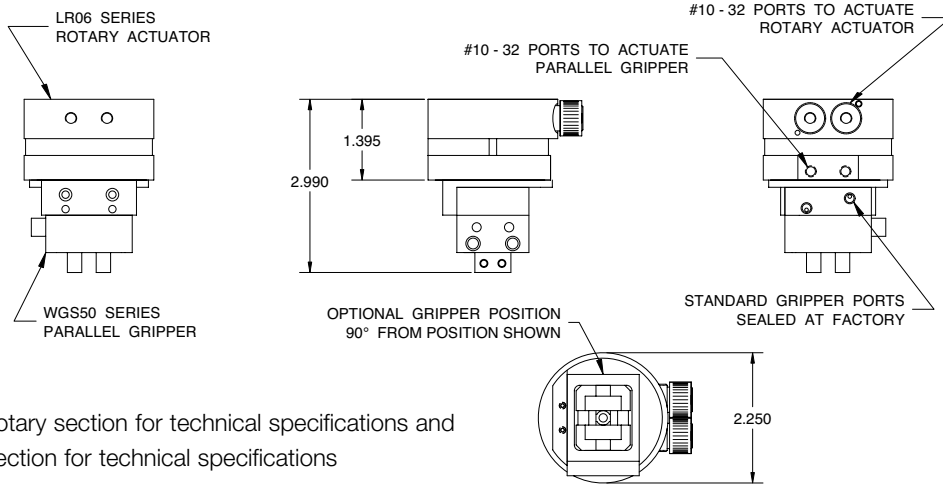
- A = Single Position CW
- B = Single Position CCW
- C = Two Position
- D = No Sensing

When ordering additional switches:

Switch Description	Standard Part No.	Quick Disconnect Part No.
Prox Switch - PNP (Sourcing)	PROX-5FL2-P	PROX-5QDS-P
Prox Switch - NPN (Sinking)	PROX-5FL2-N	Not Available
Quick Disconnect Cable	-	PXCST
90° 5 meter cable	-	PXC90
Bronze switch housing for LR & RM Rotaries	-	RSH05

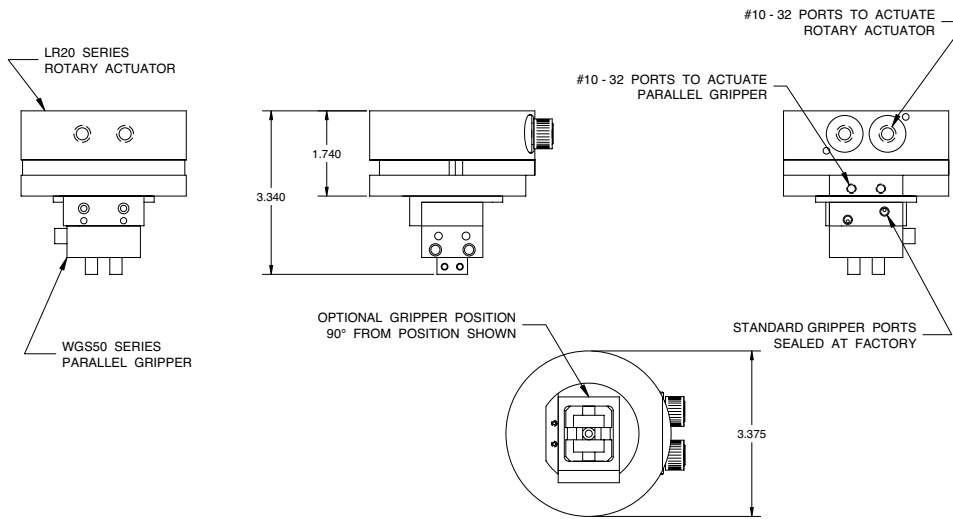
Dimensions: Inches

RM1

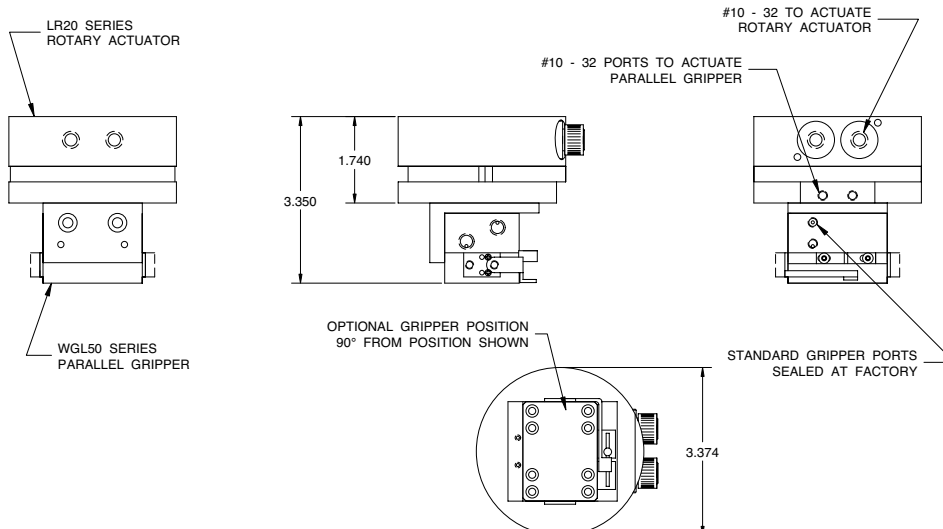


NOTE: Consult Rotary section for technical specifications and consult Gripper section for technical specifications

RM2

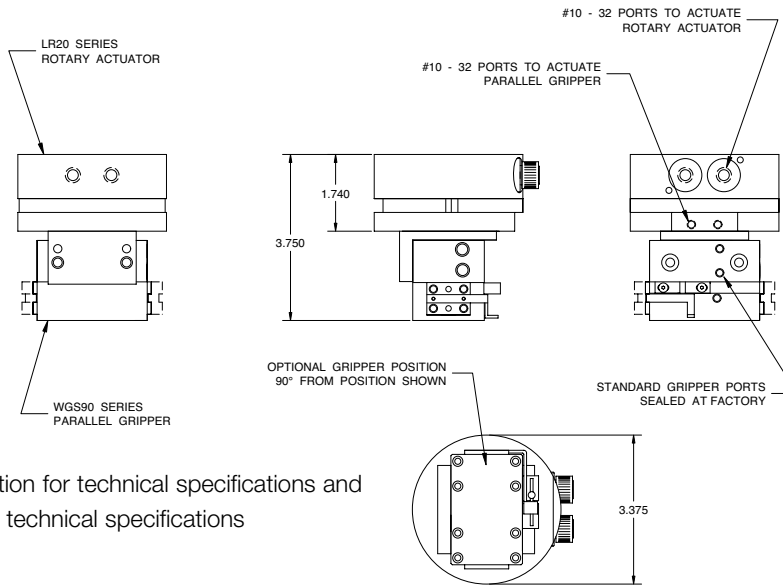


RM3



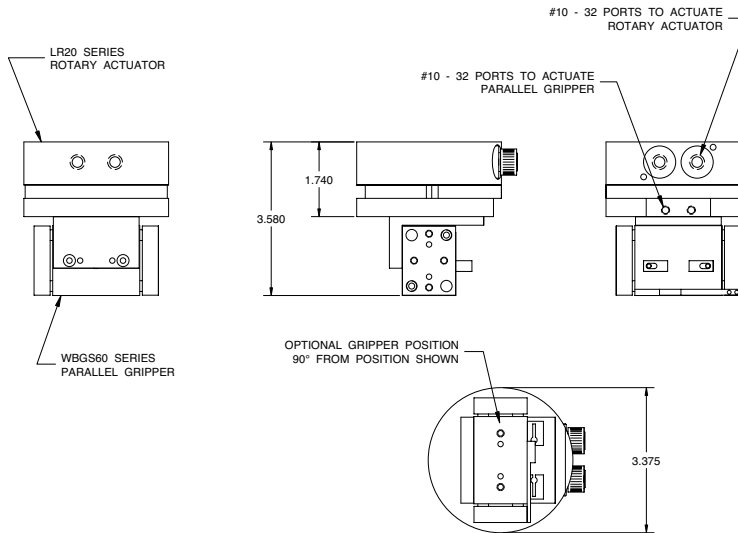
Dimensions: Inches

RM4

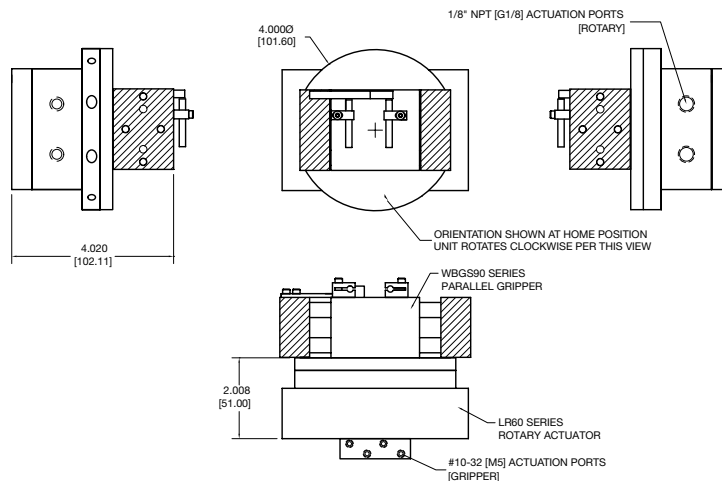


NOTE: Consult Rotary section for technical specifications and consult Gripper section for technical specifications

RM5

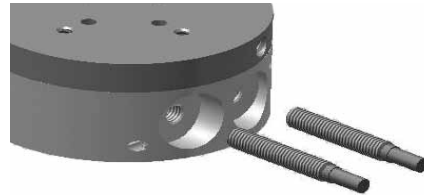


RM6



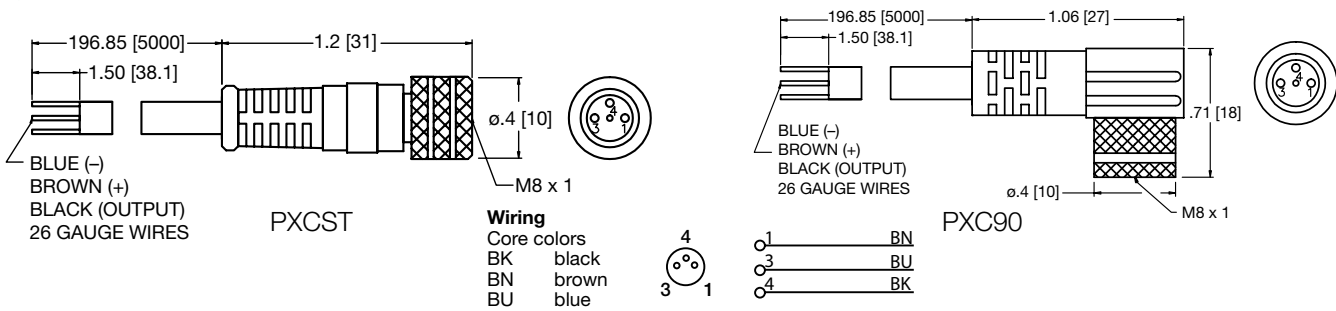
RM Series Rotary

Bore	Bracket P/N
RM1	RSH05
RM2	RSH05
RM3	RSH05
RM4	RSH05
RM5	RSH05



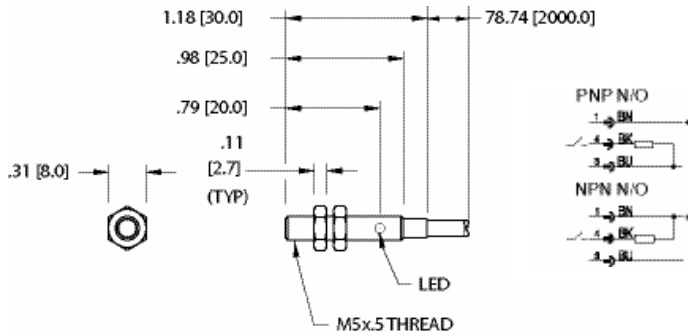
Sensor Description	Standard Cord Set	Quick Disconnect
Prox PNP	PROX-5FL2-P	PROX-5QDS-P
Prox NPN	PROX-5FL2-N	Not Available

Quick Disconnect Cables



Order Code	Type	Operating Voltage	Current Rating	Cable Material	Protection	Connector
PXCST	Straight 5 m Cable (3 x 26 Gauge wire)	60 AC/75 DC	3 A	PUR	IP 68, III	M8
PXC90	90° 5 m Cable (3 x 26 Gauge wire)	60 AC/75 DC	3 A	PUR	IP 68, III	M8

Prox Switch (NPN NO) Flying Lead - PROX-5FL2-N Prox Switch (PNP NO) Flying Lead - PROX-5FL2-P

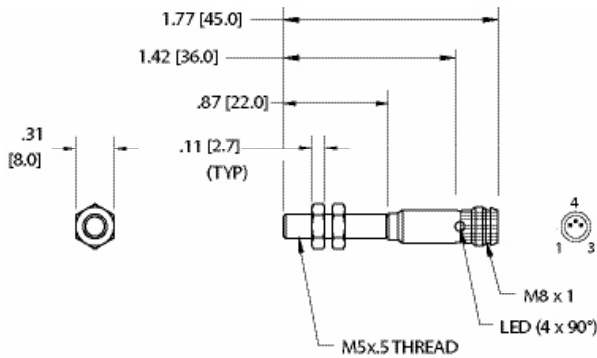


Electrical Design
Output
Operating Voltage
Current Rating
Short-Circuit Protection
Overload Protection
Reverse Polarity Protection
Voltage Drop
Current Consumption
Real Sensing Range
Switching Frequency
Ambient Temperature
Protection
Switch-Point Drift
Hysteresis
Operating Distance
Correction Factor

Housing Material
Function Display Switching Status
Connection

3-Wire DC PNP/NPN
Normally Open
10-36 VDC
100 mA
Yes (Non-Latching)
Yes
Yes
Yes
< 2.5V
< 15 mA @ 24V
.8mm ± 10%
> 2000 Hz
-25°C to 70°C
IP 65, III
-10 - 10% OF Sr
1 - 15% OF Sr
0 - .65mm
Mild Steel=.1, Stainless Steel=.7,
Brass=.5, Alum.=.4, Copper=.3
Housing; Stainless Steel: POM
Red LED
PVC Cable, 2m, 3 x .14mm2

Prox Switch (PNP NO) 8 mm connector - PROX-5QDS-P



Electrical Design
Output
Operating Voltage
Current Rating
Short-Circuit Protection
Overload Protection
Reverse Polarity Protection
Voltage Drop
Current Consumption
Real Sensing Range
Switching Frequency
Ambient Temperature
Protection
Switch-Point Drift
Hysteresis
Operating Distance
Correction Factor

Housing Material
Function Display Switching Status
Connection
Remarks
Accessories
Agency Approvals

3-Wire DC PNP
Normally Open
10-36 VDC
100 mA
Yes (Non-Latching)
Yes
Yes
Yes
< 2.5V
< 15 mA @ 24V
.8mm ± 10%
> 2000 Hz
-25°C to 70°C
IP 65, III
-10 - 10% OF Sr
1 - 15% OF Sr
0 - .65mm
Mild Steel=.1, Stainless Steel=.7,
Brass=.5, Alum.=.4, Copper=.3
Housing; Stainless Steel: POM
Red LED (4 x 90°)
M8 Connector
cUL— Class 2 Source Required
2 Lock Nuts





World Class Supplier of Pneumatic Components



World Headquarters

USA Numatics, Incorporated

46280 Dylan Drive
Novi, Michigan 48377

P: 248-596-3200
F: 248-596-3201

Canada Numatics, Ltd

P: 519-758-2700
F: 519-758-5540

México - Ascomatica SA de CV

P: 52 55 58 09 56 40 (DF y Area metropolitana)
P: 01 800 000 ASCO (2726) (Interior de la República)
F: 52 55 58 09 56 60

Brazil Ascoval Ind.e Comercio Ltda

P: (55) 11-4208-1700
F: (55) 11-4195-3970