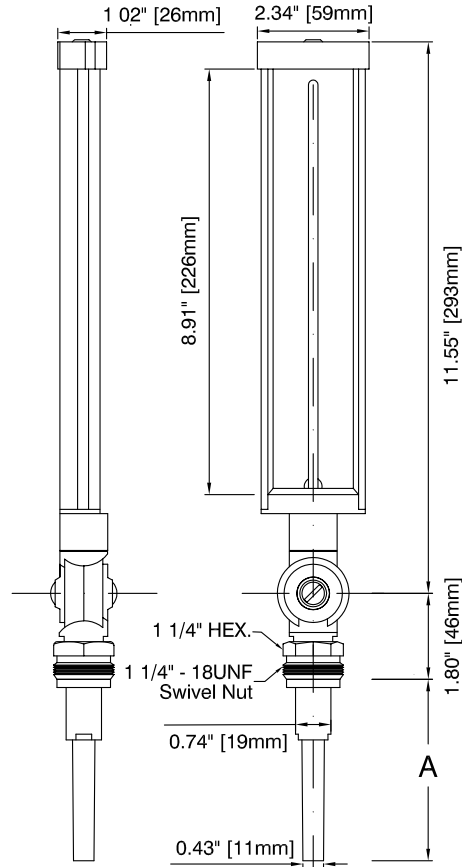


MULTI-ANGLE INDUSTRIAL THERMOMETER 9 in MODEL ITA900

Illustrated model: ITA900-3501



Specifications

Case:	9 in (228 mm) cast aluminum, black epoxy finish
Lens:	Reinforced glass
Stem:	Aluminum, adjustable angle with 360° rotation, 3 1/2 in (90 mm) or 6 in (150 mm) in length
Connection:	1 1/4 in - 18 UNF, 3/4 in nptm swivel nut, fits on well
Scale:	White aluminum, dual scale °F and °C, black markings
Filling type:	Organic blue, (550°F) maximum
Well:	Available in brass, 304 or 316 stainless steel, see page T5
Accuracy:	ASME B40.200(B40.8), Grade A ± 1 % CAN/CGSB - 14.4

Applications

For use in commercial, institutional and industrial buildings, as well as hospitals. Commonly used on hot or chilled water lines, boilers, condensers, etc.

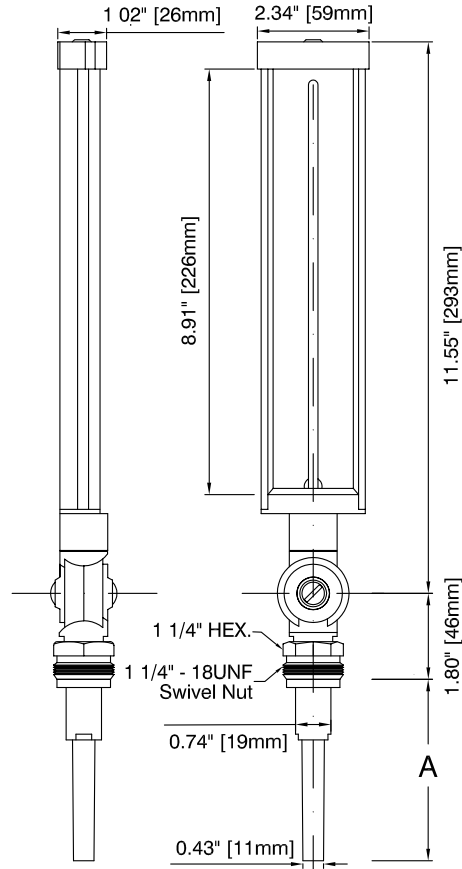
To order, use the code in the corresponding column

Dimensions as per diagram

Range	Stem 3 1/2 in (90 mm)	Stem 6 in (150 mm)
-40 to 110°F / -40 to 40°C	A ITA900-3501	A ITA900-6001
0 to 160°F / -15 to 70°C	ITA900-3502	ITA900-6002
30 to 240°F / 0 to 115°C	ITA900-3503	ITA900-6003
30 to 300°F / 0 to 150°C	ITA900-3504	ITA900-6004
0 to 100°F / -15 to 38°C	ITA900-3505	
50 to 400°F / 10 to 200°C	ITA900-3506	
50 to 550°F / 10 to 290°C	ITA900-3507	

MULTI-ANGLE INDUSTRIAL THERMOMETER 9 in, BRASS STEM MODEL ITA900BR

Illustrated model: ITA900BR-3501



Specifications

Case:	9 in (228 mm) cast aluminum, black epoxy finish
Lens:	Reinforced glass
Stem:	Brass, adjustable angle with 360° rotation, 3 1/2 in (90 mm) or 6 in (150 mm) in length
Connection:	1 1/4 in - 18 UNF, 3/4 in nptm swivel nut, fits on well
Scale:	White aluminum, dual scale °F and °C, black markings
Filling type:	Organic blue, (550°F) maximum
Well:	Available in brass, 304 or 316 stainless steel, see page T5
Accuracy:	ASME B40.200(B40.8), Grade A ± 1 % CAN/CGSB - 14.4

Applications

For use in commercial, institutional and industrial buildings, as well as hospitals. Commonly used on hot or chilled water lines, boilers, condensers, etc.

To order, use the code in the corresponding column

Dimensions as per diagram

Range	Stem 3 1/2 in (90 mm)	Stem 6 in (150 mm)
-40 to 110°F / -40 to 40°C	A ITA900BR-3501	A ITA900BR-6001
0 to 160°F / -15 to 70°C	ITA900BR-3502	ITA900BR-6002
30 to 240°F / 0 to 115°C	ITA900BR-3503	ITA900BR-6003
30 to 300°F / 0 to 150°C	ITA900BR-3504	
0 to 100°F / -15 to 38°C	ITA900BR-3505	