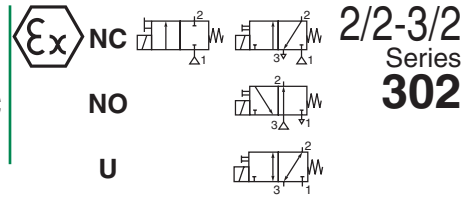




MINI-SOLENOID VALVES

non-sparking protection
 II 3G Ex nA IIC T6..T4 Gc, II 3D Ex tc IIIC IP65 T85°C..T135°C Dc
 ISO 15218 (CNOMO, size 15) interface
 direct operated, pad mounting body, connector size 15



FEATURES

- Mini-low consumption valves for use in potentially explosive atmospheres according to ATEX-Directive 2014/34/EU
 EC type examination certificate no.: **INERIS 10 ATEX 3016X**
- Compliance with the Essential Health and Safety Requirements has been assured by compliance with European Standards EN 60079-0, EN 60079-15 and EN 60079-31
- Compact, monobloc solenoid pilot valve with spade-plug connector type DIN 43650, form C with 9,4 mm spacing
- Version without integrated LED and electrical protection
- Universal version for vacuum operation (3/2 way)

GENERAL

Differential pressure See «SPECIFICATIONS» [1 bar = 100 kPa]
Pneumatic base ISO 15218 (CNOMO E06.36.120N, size 15)
Connection Subbase
Response time 8 - 15 ms

fluids (*)	temperature range (TS)	seal materials (*)
air or inert gas filtered at 50 µm, lubricated or not	- 25°C to + 40°C (LP2) ⁽¹⁾	NBR (nitrile) FPM (fluoroelastomer)

⁽¹⁾ LP2: see "electrical characteristics" table

MATERIALS IN CONTACT WITH FLUID

(*) Ensure that the compatibility of the fluids in contact with the materials is verified

Body PARA
Internal parts POM, PET, stainless steel and brass
Seals NBR (disc), FPM (others)
Pneumatic interface seal TPE

OTHER MATERIALS

Coil Thermoplastic PET
Enclosure with PVC cable PP (polypropylene) glass-fibre reinforced

ELECTRICAL CHARACTERISTICS

Coil insulation class F **SAFETY CODE**
 II 3G Ex nA IIC T6..T4 Gc
 II 3D Ex tc IIIC IP65 T 85°C..T 135°C Dc

Connector Spade plug (2m cable length)
Connector specification DIN 43650, 9,4 mm, form C
Electrical safety IEC 335
Electrical enclosure protection Moulded IP65 (EN 60529)
Standard voltages DC (=) : 24V
 (Other voltages on request) AC (-): Contact us

power ranges	coils	voltages	power ratings	max. ambient temperature °C ⁽²⁾			type ⁽⁴⁾
				surface temperature			
				hot/cold =	T6	T5	
		=	(W)	85°C	100°C	135°C	
LP2 ⁽³⁾	24		1 / 1,2	40	55	60	01

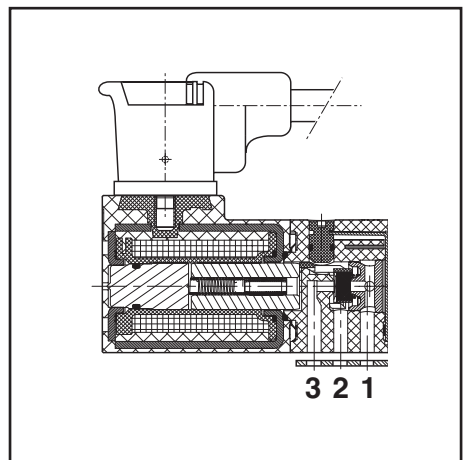
⁽⁴⁾ Refer to the dimensional drawings on the following page.

SPECIFICATIONS

orifice size (mm)	flow				operating pressure differential (bar)		power ranges	basic catalogue number			
	at 6 bar l/min (ANR)		coefficient Kv		min.	max. (PS)		manual operator			
	1 → 2	2 → 3	1 → 2	2 → 3				impulse	maintained		
2/2 NC - Normally closed (Without LED and protection)											
1,5	39	-	0,50	-	0	3	LP2	-	30211022NAD	-	30211023NAD
3/2 NC - normally closed (Without LED and protection)											
0,6	11	20	0,11	0,26	0	10	LP2	-	30211109NAD	-	30211110NAD
0,8	17	28	0,22	0,35	0	8	LP2	-	30211112NAD	-	30211113NAD
1,1	32	51	0,35	0,50	0	5	LP2	-	30211118NAD	-	30211119NAD
1,5	39	53	0,50	0,56	0	3	LP2	-	30211124NAD	-	30211125NAD
	3 → 2	2 → 1	3 → 2	2 → 1							
3/2 NO - normally open (Without LED and protection)											
0,8	20	17	0,26	0,20	0	8	LP2	-	30211130NAD	-	-
1	28	32	0,35	0,35	0	5	LP2	-	30211136NAD	-	-
1,5	53	39	0,56	0,50	0	2	LP2	-	30211142NAD	-	-
	1 ↔ 2	2 ↔ 3	1 ↔ 2	2 ↔ 3							
3/2 U - universal (Without LED and protection)											
0,8	17	20	0,20	0,26	0	6	LP2	-	30211148NAD	-	30211149NAD

When ordering, please specify, in addition to the basic catalogue number, the type of current: voltage

Examples: 24V DC: **30211009NAD** 24V DC



For versions with LED indicator and electrical protection:
 Contact us
⁽²⁾ The minimum allowable ambient temperature is -25°C. Actual temperature range can be limited depending on valve operation limits.
⁽³⁾ Voltage: -15% / +20%

OPTIONS AND ACCESSORIES

- Seals and disc made of FPM (fluoroelastomer)
- Version without manual operator
- Version with pneumatic-electric interface

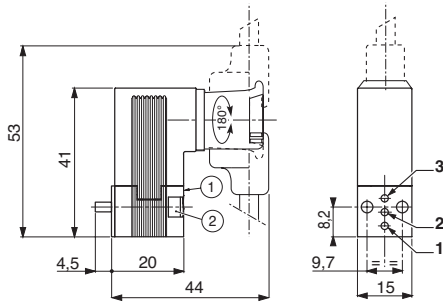
INSTALLATION

- The solenoid valves can be mounted in any position without affecting operation
- **Pre-wired connector, supplied and certified with the product (DIN 43650, 9,4 mm, form C, with 2 m cable length). For connection, only use the connector supplied with the product**
- Solenoid valve supplied with mounting screws and mounting pad seal(s)
- Installation/maintenance instructions are included with each valve

DIMENSIONS (mm), WEIGHT (kg)



TYPE 01
IEC 335 / DIN 43650
IP65

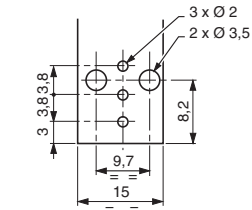


- ① Manual operator location
- ② 2 mounting screw M3 x 20

function	connection			
	1	2	3	
2/2 way				
	NC	P	U	-
3/2 way				
universal	NC	P	U	E
	NO	E	U	P
	MIX	P2	U	P1
	SEL	U 2	P	U 1

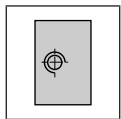
P: Pressure U: Outlet
E: Exhaust

Subbase mounting surface: ISO 15218
(CNOMO E06.36.120N, size 15)

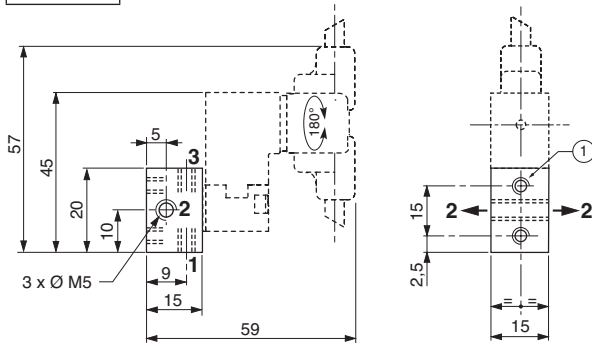


weight ⁽¹⁾
0,14

⁽¹⁾ with connector.



Single subbase
Aluminium or brass

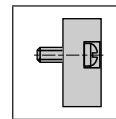


- ① Mounting: 2 holes M3, depth 4,5

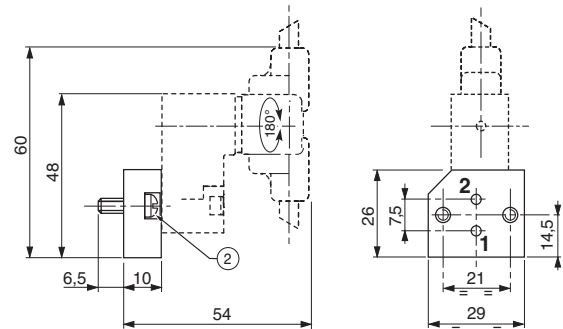
Orifice (2) can be connected on the left or on the right of the subbase.

material	catalogue number	weight ⁽¹⁾
aluminium	88263002	0,011
brass	30300001	0,034

⁽¹⁾ subbase alone



Adapter CNOMO size 30
(only for NC version)
Aluminium



- ② Mounting: 2 screws M4 x 10 (supplied)

catalogue number	weight ⁽²⁾
88263001	0,018

⁽²⁾ adapter alone