

SSP1D412BD

solid state relay - panel mounting - input
3.5-32V DC, output 1-150 V DC, 12A



Main

Range of product	Zelio Relay
Product or component type	Solid state relay
Device short name	SSP1
Mounting support	Panel
Number of phases	1 phase
Contacts type and configuration	1 NO
[In] rated current	12 A
Solid state output type	Mosfet output DC switching

Complementary

Control circuit voltage	3.5...32 V DC
Switching voltage	>= 3.5 V DC turn-on <= 1 V DC turn-off
Response time	0.1 ms turn-off 0.1 ms turn-on
Input current	10...15 mA
Output voltage	1...150 V DC
Load current	0...12 A
Surge current	<= 31 A for 10 ms
Co-ordination type	Type 2 - 6 A miniature circuit breaker (MCB) - curve B Type 1 - 10 A miniature circuit breaker (MCB) - curve B
Leakage current	<= 0.3 mA off-state
Voltage drop	2.8 V on-state
Insulation resistance	1000 MOhm at 500 V DC
Maximum capacitance	50 pF for input/output
Dielectric strength	2.5 kV AC for input or output to case 2.5 kV AC for input/output
[Uimp] rated impulse withstand voltage	2.5 kV output to case
Tightening torque	2...2.2 N.m for output 1.5...1.7 N.m for input
Connections - terminals	Ring lugs : 11.7 x 4.5 mm for output Forked type tag connectors : 11.7 x 4.5 mm for output Ring lugs : 9.2 x 4 mm for input Forked type tag connectors : 9.2 x 4 mm for input Screw terminals : 0.5...8.26 mm ² , (AWG 20...AWG 8) without cable end for output Screw terminals : 0.2...3.3 mm ² , (AWG 24...AWG 12) without cable end for input Screw terminals : 0.5...5.26 mm ² , (AWG 20...AWG 10) with cable end for output Screw terminals : 0.2...3.3 mm ² , (AWG 24...AWG 12) with cable end for input
Thermal resistance	0.71 °C/W junction to case
LED indicator	LED green for input status
IP degree of protection	IP20
Product weight	89.2 g

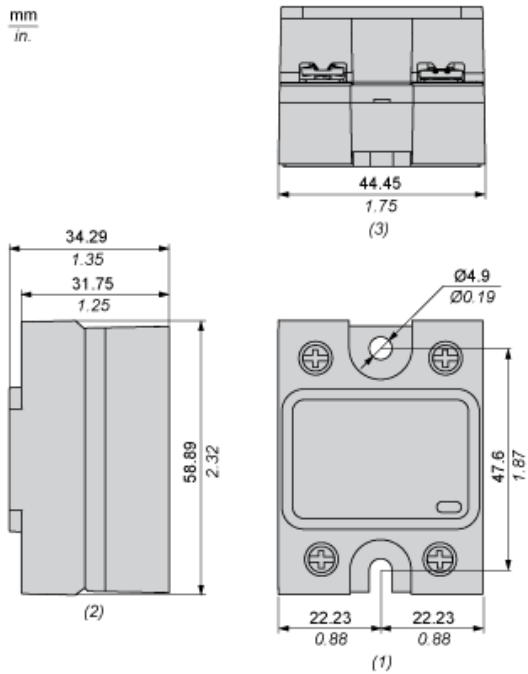
The information provided in this documentation contains general descriptions and/or technical characteristics of the performance of the products contained herein. This documentation is not intended as a substitute for and is not to be used for determining suitability or reliability of these products for specific user applications. It is the duty of any such user or integrator to perform the appropriate and complete risk analysis, evaluation and testing of the products with respect to the relevant specific application or use thereof. Neither Schneider Electric Industries SAS nor any of its affiliates or subsidiaries shall be responsible or liable for misuse of the information contained herein.

Environment

Ambient air temperature for operation	-40...80 °C
Ambient air temperature for storage	-40...125 °C
Pollution degree	2
Overvoltage category	III
Product certifications	CE CSA RoHS UL REACH EAC
Marking	CE CSA UL EAC
Standards	EN/IEC 60950-1 UL 508 EN/IEC 62314 CSA C22.2 No 14-13

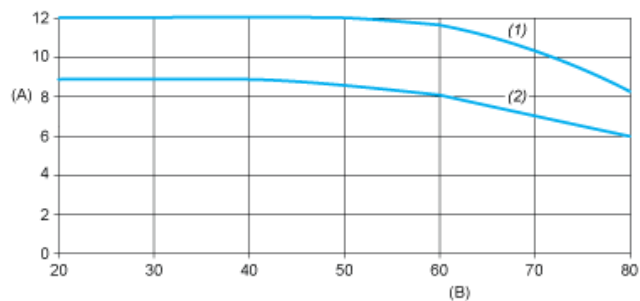
Dimensions

mm
in.



- (1) Front view
- (2) Side view
- (3) Bottom view

Derating Curves



- A : Load Current (Arms)
B : Ambient Temperature (°C)
(1) For Heatsink SSRHP25
(2) No Heatsink