

## FEATURES

- Very small size and easy assembly
- AC/DC interchangeability of the solenoid without disassembling the valve
- Quick disassembly of core tube for easy maintenance of internal parts
- Standard disc seal made of FPM suitable for a wide range of operating temperatures and compatible with many fluids
- Compliance with UL and CSA standards
- The solenoid valves satisfy all relevant EU directives

## GENERAL

**Differential pressure** See «SPECIFICATIONS» [1 bar =100 kPa]  
**Maximum viscosity** 40 cSt (mm<sup>2</sup>/s)  
**Response time** 5 - 10 ms

fluids (*)	temperature range (TS)	seal materials (*)
air, inert gas, water, oil	-10°C to +100°C	FPM (fluoroelastomer)

## MATERIALS IN CONTACT WITH FLUID

(\*) Ensure that the compatibility of the fluids in contact with the materials is verified

<b>Manifold body</b>	Brass
<b>Core tube</b>	Stainless steel
<b>Core and plugnut</b>	Stainless steel
<b>Springs</b>	Stainless steel
<b>Seat</b>	Brass
<b>Seals</b>	FPM
<b>Disc</b>	FPM
<b>Shading coil</b>	Copper

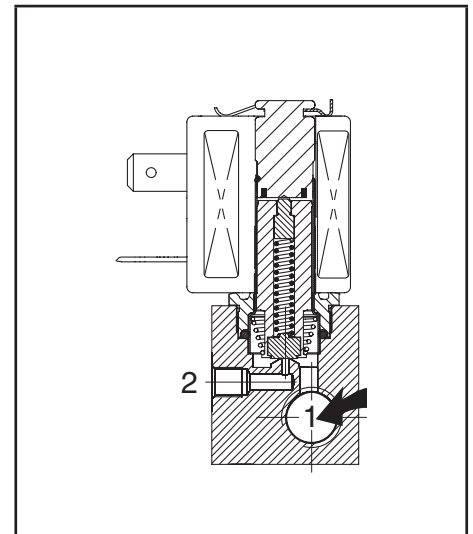
## ELECTRICAL CHARACTERISTICS

**Coil insulation class** F  
**Connector** Spade plug (cable Ø 6-8 mm)  
**Connector specification** DIN 43650, 11 mm, norma industrial B  
**Electrical safety** IEC 335  
**Electrical enclosure protection** Moulded IP65 (EN 60529)  
**Standard voltages** (2) DC (=) : 24V - 48V  
 (Other voltages and 60 Hz on request) AC (~) : 24V - 48V - 115V - 230V / 50 Hz

prefix option	power ratings				operator ambient temperature range (TS) (C°)	replacement coil		type (1)
	inrush ~	holding ~		~		=		
	(VA)	(VA)	(W)	(W)		230 V/50 Hz	24 V DC	
SC	12	6	4	5 / 6,9	-10 to +60	400127-197	400127-142	01

(1) Refer to the dimensional drawings on the following page.

(2) Duty cycle: 50% (30 min)



## SPECIFICATIONS

pipe size	orifice size	flow coefficient Kv		operating pressure differential (bar)				power coil (W)		Number of valves	catalogue number	options			
				min.	max. (PS)		EPDM					-	-		
					air, water (*)	oil (*)									
G	(mm)	(m <sup>3</sup> /h)	(l/min)							~/=					
<b>NC - Normally closed</b>															
1/8 (3)	1,6	0,08	1,33	0	20	12	20	12	4	6,9	2	SCG256B819V	E	-	-
						3	SCG256B820V	E			-	-			
						4	SCG256B821V	E			-	-			
						5	SCG256B822V	E			-	-			
						6	SCG256B823V	E			-	-			
						7	SCG256B824V	E			-	-			
						8	SCG256B825V	E			-	-			
						9	SCG256B826V	E			-	-			
						10	SCG256B827V	E			-	-			
						2,4	0,13	2,16			0	12	4	12	4
3	SCG256B856V	E	-	-											
4	SCG256B857V	E	-	-											
5	SCG256B858V	E	-	-											
6	SCG256B859V	E	-	-											
7	SCG256B860V	E	-	-											
8	SCG256B861V	E	-	-											
9	SCG256B862V	E	-	-											
10	SCG256B863V	E	-	-											

(3) Pipe size port 2: M5

### OPTIONS

- Valves can also be supplied with EPDM (ethylene-propylene) seals and discs. Use the appropriate optional suffix letter for identification
- Flying leads coil, use prefix L (e.g.: LG256B822V)
- Oxygen service with seals and disc in FPM, suffix NV, example: SCG256B822NV
- NC, orifice sizes 1,2 mm and 2 mm
- NO, orifice size 1,6 mm
- Stainless steel manifold bodies, NC and NO, on request
- Other pipe connections are available on request
- Plug with visual indication and peak voltage suppression or with cable length of 2 m (see Solenoids, Coils & Accessories section)

### INSTALLATION

- The solenoid valves can be mounted in any position without affecting operation
- Multiple manifold solenoid valves have 2 mounting holes in body
- Pipe connection identifier is G = G (ISO 228/1)
- Installation/maintenance instructions are included with each valve

### SPARE PARTS KIT

catalogue number	spare parts kit no.	
	~	=
all	<b>C140262V</b>	<b>C140262V</b>

<sup>(1)</sup> Standard prefixes/suffixes are also applicable to kits.

### ORDERING EXAMPLES:

<b>SC</b>	G	256	<b>B</b>	821	<b>V</b>	230V / 50 Hz
<b>SC</b>	G	256	<b>B</b>	826	<b>E</b>	115V / 50 Hz
<b>SC</b>	G	256	<b>B</b>	857	<b>NV</b>	24V / DC
<b>SC</b>	G	256	<b>B</b>	863	<b>V</b>	230V / 50 Hz

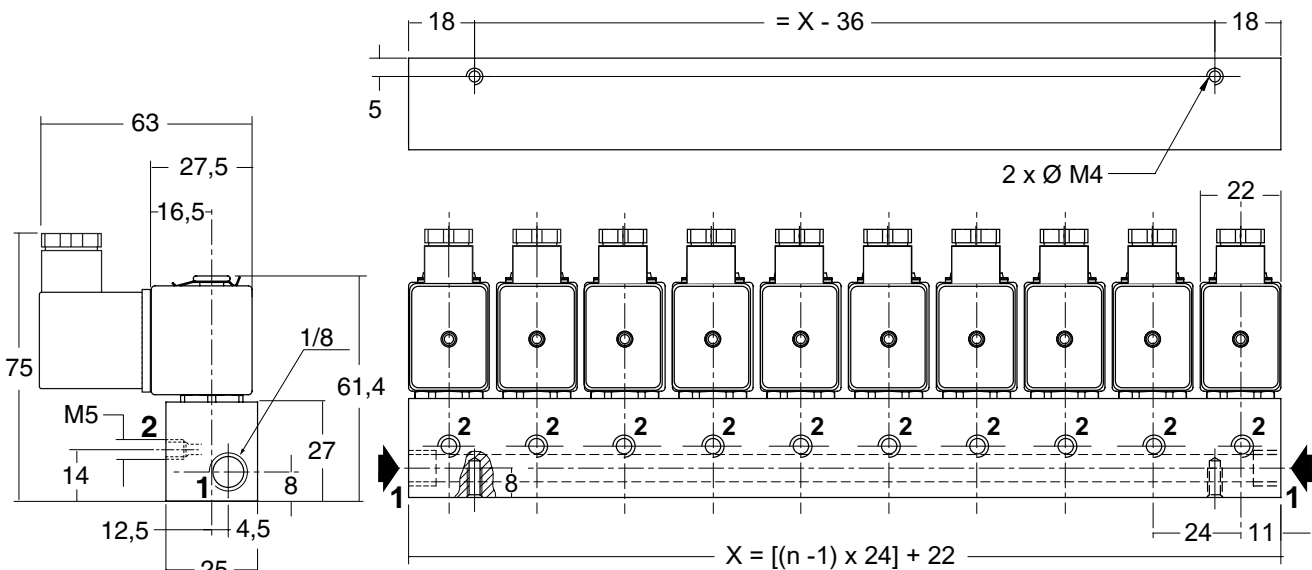
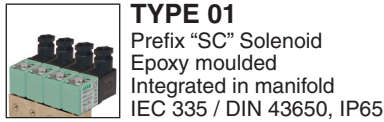
prefix: SC, pipe thread: G, basic number: 256 B, voltage: 230V / 50 Hz, suffix: V

### ORDERING EXAMPLES KITS:

C140262	<b>V<sup>(1)</sup></b>
C140262	<b>E</b>

basic number: C140262, suffix: V, E

### DIMENSIONS (mm), WEIGHT (kg)



type	prefix option	weight <sup>(2)</sup>								
		number of solenoid valves (n)								
01	SC	0,321	0,426	0,531	0,636	0,741	0,846	0,951	1,056	1,161

<sup>(2)</sup> Incl. coil(s) and connector(s)

All leaflets are available on: [www.asco.com](http://www.asco.com)