

# TW15 Threaded Thermowell (Solid Machined)

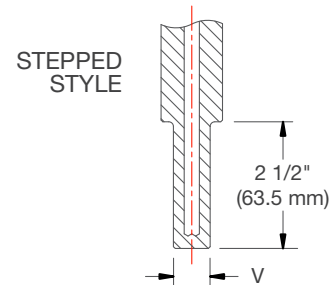
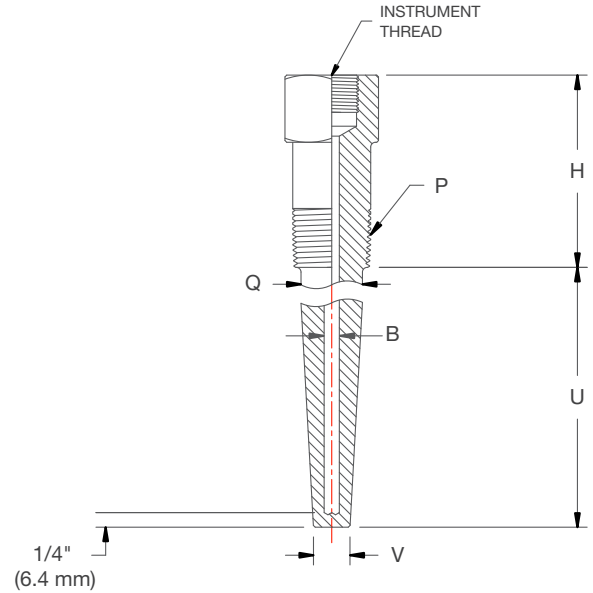


 Part of your business

## TW15 Threaded Thermowell

(solid machined)

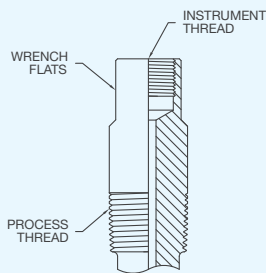
Model TW15 thermowells are machined from solid bar stock. The thermowell profile is tapered, straight or stepped. The process connections are NPT (tapered) for installation into a mating connection. This design of thermowell will accept thermocouples (TC), resistance temperature detectors (RTD), as well as mechanical and digital thermometers.



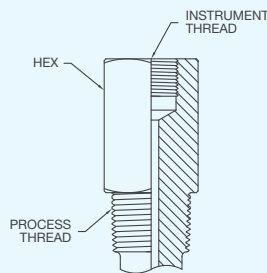
### Applications:

- Chemical, process, apparatus and plant engineering; petrochemical; on offshore
- High chemical loads
- High process loads

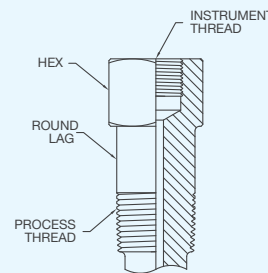
### Head Designs



ROUND with WRENCH FLATS



HEXAGON



ROUND with HEXAGON

# Thermowells

## TW15 Threaded Thermowell (Solid Machined)

Head Design:	Hexagon, Round with hexagon, or Round with wrench flats
Thermowell Style:	Tapered, Straight, or Stepped
Process Thread:	1/2 NPT, 3/4 NPT, or 1 NPT
Insertion Length:	Up to 62 inch (1575 mm) for single piece construction
Bore Size:	0.260 to 0.702 inch (6.6 to 17.8 mm)
Bore Depth:	Up to 72 inch (1828 mm)
Electrical Approvals:	CSA, FM
Options:	<ul style="list-style-type: none"><li>■ Wake frequency calculations</li><li>■ Quality certificates</li><li>■ Metallic hard coatings</li><li>■ Stainless steel plug or cap with chain</li><li>■ Product tagging</li><li>■ Multi-piece construction for bore depths greater than 72 inch</li></ul>

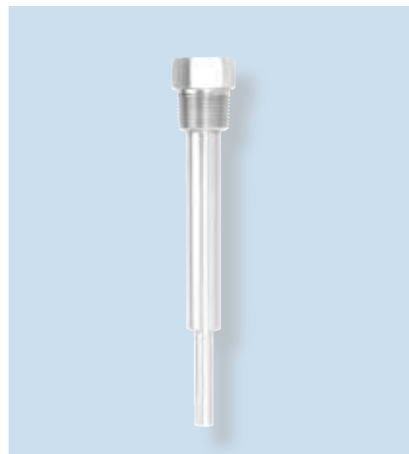
## Threaded Tapered



## Threaded Straight



## Threaded Stepped



# TW15

Create your product part number by selecting the appropriate assembly items from each of the categories below. Enter the item code into the applicable box to generate the part number.

--	--	--	--	--	--	--	--	--	--

1 2 3 4 5 6 7 8 9 10

Part Number TW15-X-X-X-XX-XX-XXXXX-XXXXX-  
XX-X-XXXX-XXXX-XX-XX

## 1 Head design

Code	
H	Hexagon
M	Round with hexagon
R	Round with wrench flats

## 2 Thermowell style

A	Tapered
B	Straight
C	Stepped

## 3 Unit of measure

I	Imperial
M	Metric

## 4 Process thread [P]

ND	1/2 NPT
NE	3/4 NPT
NF	1 NPT

## 5 Instrument connection

UD	1/2 NPT female
UF	1/2 NPT-CSA female
GF	1/2 NPSM
UE	3/4 NPT female
TD	G 1/2 female

## 6 Insertion length [U]

*****	Please specify; maximum 62 inch (1575 mm) (e.g. 8.5 inch = 08500) (e.g. 240 mm = 00240)
-------	---

## 7 Head length [H]

01750	1.75 inch
02000	2.00 inch
00045	45 mm
00050	50 mm
*****	Please specify (e.g. 1.5 inch = 01500) (e.g. 48 mm = 00048)

## 8 Material

G3	Stainless steel 316/316L
G1	Stainless steel 304/304L
F1	Carbon steel A105
G5	Stainless steel 310
G6	Stainless steel 321
G8	Stainless steel 347
G4	Stainless steel 316H
G2	Stainless steel 304H
H1	Carbon steel F11
H2	Carbon steel F22
H3	Carbon steel F5
H4	Carbon steel F9
H5	Carbon steel F91
B1	Inconel® 600
B2	Inconel® 601
B3	Inconel® 625
C1	Incoloy® 800H/HT
C2	Incoloy® 825
A5	Titanium Grade II
D1	Monel® 400
E1	Nickel 200
E2	Nickel 201
A2	Hastelloy® C-276
A1	Hastelloy® B-2
A3	Hastelloy® C-4
I1	Stainless steel 410
I2	Stainless steel 446
A4	Hastelloy® C-22
L6	Stainless steel duplex (1.4462)
L5	Stainless steel 1.4571
L1	Carbon steel 1.7335 (13CrMo44)
L4	Carbon steel 1.5415 (15Mo3/16Mo3)
L2	Carbon steel 1.7380 (10CrMo910)
L3	Carbon steel 1.0460 (C22.8)
F2	Carbon steel 1018

## 9 Bore size [B]

A	0.260 inch (6.6 mm)
B	0.385 inch (9.8 mm)
C	0.512 inch (13 mm)
D	0.702 inch (17.8 mm)
M	0.335 inch (8.5 mm)

## 10 Root diameter [Q]

0625	0.625 inch
0750	0.750 inch
0875	0.875 inch
1000	1.000 inch
1063	1.063 inch
0160	16 mm
0220	22 mm
0270	27 mm
****	Please specify (e.g. 1.5 inch = 1500) (e.g. 24 mm = 0240)



Note: Some configurations are unavailable. Your WIKA sales person will notify you if you have made an incorrect selection



11 12 13 14

**11 Tip diameter [V]**

0500	0.500 inch
0625	0.625 inch
0750	0.750 inch
0875	0.875 inch
0130	13 mm
0160	16 mm
0190	19 mm
0220	22 mm
****	Please specify (e.g. 1.5 inch = 1500) (e.g. 24 mm = 0240)

**12 RTD / TC / Thermometer assembly**

1A	TR10 Industrial RTD assembly
1B	TC10 Industrial TC assembly
1C	TR15 Remote RTD assembly
1D	TC15 Remote TC assembly
1F	TR75 DiwiTherm®
YY	Dial Thermometer (Bimetal / Gas actuated)
ZZ	Without

**13 Certificates**

1	Quality certificates
Z	Without

**14 Additional order details**

T	Additional text
Z	Without



# WIKA worldwide

## North America

### Canada

WIKA Instruments Canada Ltd.  
Edmonton, Alberta  
Tel.: (+1) 780 463 7035  
Fax: (+1) 780 462 0017  
E-mail: info@wika.ca  
www.wika.ca

### Mexico

Instrumentos WIKA México,  
S.A. de C.V.  
Álvaro Obregón  
Tel.: (+52) 55 5020 5300  
Fax: (+52) 55 5020 5301  
E-mail: ventas@wika.com  
www.wika.com.mx

### USA

WIKA Instrument Corporation  
Lawrenceville, Georgia  
Tel.: (+1) 770-513 8200  
Fax: (+1) 770-338 5118  
E-mail: info@wika.com  
www.wika.com

## South America

### Argentina

WIKA Argentina S.A.  
Buenos Aires  
Tel.: (+54) 11 4730-1800  
Fax: (+54) 11 4761-0050  
E-mail: info@wika.com.ar  
www.wika.com.ar

### Brazil

WIKA DO BRASIL  
Iperó - SP  
Tel.: (+55) 15 3459 9700  
Fax: (+55) 15 3266 1650  
E-mail: marketing@wika.com.br  
www.wika.com.br

## Europe

### Austria

WIKA Meßgerätevertrieb  
Ursula Wiegand GmbH & Co. KG  
Wien  
Tel.: (+43) 1-8 69 16 31  
Fax: (+43) 1-8 69 16 34  
E-mail: info@wika.at  
www.wika.at

### Benelux

WIKA Benelux  
Echt  
Tel.: (+31) 475 53 55 00  
Fax: (+31) 475 53 54 46  
E-mail: info@wika.nl  
www.wika.nl

### Bulgaria

WIKA Bulgaria EOOD  
Sofia  
Tel.: (+359) 2 82138-10  
Fax: (+359) 2 82138-13  
E-mail: t.antonov@wika.bg  
www.wika.bg

### Finland

WIKA Finland Oy  
Helsinki  
Tel.: (+358) 9-682 49 20  
Fax: (+358) 9-682 49 270  
E-mail: info@wika.fi  
www.wika.fi

### France

WIKA Instruments s.a.r.l.  
Eragny-sur-Oise  
Tel.: (+33) 1/34 30 84 84  
Fax: (+33) 1/34 30 84 94  
E-mail: info@wika.fr  
www.wika.fr

### Germany - Head Office

WIKA Alexander Wiegand  
GmbH & Co. KG  
Klingenberg  
Tel.: (+49) 9372 132-0  
Fax: (+49) 9372 132-406  
E-mail: info@wika.de  
www.wika.de

### Italy

WIKA Italiana SRL  
Arese (Milano)  
Tel.: (+39) 02-93 86 11  
Fax: (+39) 02-93 86 174  
E-mail: info@wika.it  
www.wika.it

### Poland

Kujawska Fabryka Manometrow  
Wloclawek  
Tel.: (+48) 54230 11 00  
Fax: (+48) 54230 11 01  
E-mail: info@manometry.com.pl  
www.manometry.com.pl

### Romania

WIKA Instruments Romania S.R.L.  
Bucuresti  
Tel.: (+40) 21-456 31 38  
Fax: (+40) 21-456 31 37  
E-mail: m.anghel@wika.ro  
www.wika.ro

### Russia

ZAO "WIKA MERA"  
Moskau  
Tel.: (+7) 495-648 01 80  
Fax: (+7) 495-648 01 81  
E-mail: info@wika.ru  
www.wika.ru

### Serbia

WIKA Merna Tehnika d.o.o.  
Beograd  
Tel.: (+381) 11 2763 722  
Fax: (+381) 11-753 674  
E-mail: info@wika.co.yu  
www.wika.co.yu

### Spain

Instrumentos WIKA, S.A.  
Sabadell (Barcelona)  
Tel.: (+34) 902 902 577  
Fax: (+34) 933 938 666  
E-mail: info@wika.es  
www.wika.es

### Switzerland

MANOMETER AG  
Hitzkirch  
Tel.: (+41) 41 919 72 72  
Fax: (+41) 41 919 72 73  
E-mail: info@manometer.ch  
www.manometer.ch

### Ukraine

WIKA Pribor GmbH  
Donetsk  
Tel.: (+38) 062 345-34-16  
Fax: (+38) 062 345-34-17  
E-mail: info@wika.donetsk.ua  
www.wika.donetsk.ua

### United Kingdom

WIKA Instruments Limited  
Merstham, Redhill  
Tel.: (+44) (0) 1737 644 008  
Fax: (+44) (0) 1737 644 003  
E-mail: info@wika.co.uk  
www.wika.co.uk

## Africa/Middle East

### Egypt

WIKA Alexander Wiegand  
GmbH & Co. KG  
Nasr City, Cairo  
Tel.: (+20) 2-227 33 140  
Fax: (+20) 2-227 33 140  
E-mail: Ahmed.Azab@wika.de

### Iran

WIKA Instrumentation Pars  
Kish Ltd.  
Tehran  
Tel.: (+98) 21- 8852 6730 3  
Fax: (+98) 21- 8875 7413  
E-mail: info@wika.ir  
www.wika.ir

### South Africa

WIKA Instruments (Pty.) Ltd.  
Gardenvue, Johannesburg  
Tel.: (+27) 11-621 00 00  
Fax: (+27) 11-621 00 59  
E-mail: sales@wika.co.za  
www.wika.co.za

### United Arab Emirates

WIKA Middle East FZE  
Jebel Ali, Dubai  
Tel.: (+971) 4-883 90 90  
Fax: (+971) 4-883 91 98  
E-mail: wikame@emirates.net.ae

## Asia

### China

WIKA International Trading  
(Shanghai) Co., Ltd.  
Shanghai  
Tel.: (+86) 21 53 85 25 72  
Fax: (+86) 21 53 85 25 75  
E-mail: wikash@online.sh.cn

### India

WIKA Instruments India Pvt. Ltd.  
Wagholi, Pune  
Tel.: (+91) 20-66293200  
Fax: (+91) 20-66293325  
E-mail: sales@wika.co.in  
www.wika.co.in

### Japan

WIKA Japan K.K.  
Minato-ku, Tokyo  
Tel.: (+81) 3-5439-6673  
Fax: (+81) 3-5439-6674  
E-mail: t-shimane@wika.co.jp

### Kazakhstan

TOO WIKA Kasachstan  
Almaty  
Tel.: (+7) 3272 33 08 48  
Fax: (+7) 3272 78 99 05  
E-mail: info@wika.kz  
www.wika.kz

### Korea

WIKA Korea Ltd.  
Seoul  
Tel.: (+82) 2-869 05 05  
Fax: (+82) 2-869 05 25  
E-mail: info@wika.co.kr  
www.wika.co.kr

### Malaysia

WIKA Instrumentation (M) Sdn Bhd  
Puchong, Selangor  
Tel.: (+03) 80631080  
Fax: (+03) 80631070  
E-mail: info@wika.com.my  
www.wika.com.my

### Singapore

WIKA Instrumentation PTE. LTD.  
Singapore  
Tel.: (+65) 6844 55 06  
Fax: (+65) 6844 55 07  
E-mail: info@wika.com.sg  
www.wika.com.sg

### Taiwan

WIKA Instrumentation Taiwan Ltd.  
Pinjen, Taoyuan  
Tel.: (+886) 3 420 6052  
Fax: (+886) 3 490 0080  
E-mail: info@wika.com.tw  
www.wika.com.tw

## Australia

### Australia

WIKA Australia Pty. Ltd.  
Rydalmere NSW  
Tel.: (+61) 2 8845 5222  
Fax: (+61) 2 9684 4767  
E-mail: sales@wika.com.au  
www.wika.com.au



Part of your business