

VEGADIS 81

External display and adjustment unit for plics® sensors



Application area

The VEGADIS 81 is an external, digital display and adjustment unit for all plics® sensors. The instrument is mounted in an easily accessible position up to 50 m away from the sensor. It is directly connected to the sensor electronics and also powered by it.

Your benefit

- Measured value indication and sensor adjustment in easily accessible position
- Good readability of the display in clear text with graphic support (display and adjustment module PLICSCOM)
- Simple adjustment via 4 keys and clearly structured program guidance
- Reading and adjustment comfort through installation in 90° steps

Function

VEGADIS 81 is connected to the sensor with a screened four-wire standard cable up to 50 m long. Communication is carried out via this cable and the VEGADIS 81 is also powered by the sensor.

Technical data

General data

Materials	
– Housing	plastic PBT, Alu die-casting, 316L
– Inspection window in housing lid for display and adjustment module	Polycarbonate (UL-746-C listed)
– Ground terminal	316Ti/316L
Weight approx.	0.35 kg (0.772 lbs)

Adjustment circuit

Connection to	VEGA plics® sensors
Data transmission	Digital (I ² C-Bus)
Cable length (depending on the sensor version) max.	25 m (82.02 ft), 50 m (164.0 ft)

Display and adjustment module

Indication	LC display in dot matrix
Adjustment elements	4 keys
Protection rating	
– unassembled	IP 20
– mounted into VEGADIS 81 without cover	IP 40

Materials

– Housing	ABS
– Inspection window	Polyester foil

Electromechanical data

Options of the cable entry

– Cable gland	M20 x 1.5 (cable: ø 5 ... 9 mm)
– Cable entry	½ NPT

Wire cross-section (spring-loaded terminals)

– Massive wire, stranded wire	0.2 ... 2.5 mm ² (AWG 24 ... 14)
– Stranded wire with end sleeve	0.2 ... 1.5 mm ² (AWG 24 ... 16)

Ambient conditions

Storage and transport temperature	-40 ... +80 °C (-40 ... +176 °F)
Ambient temperature	-20 ... +70 °C (-4 ... +158 °F)

Electrical protective measures

Protection rating

– Housing, plastic	IP 66/IP 67, NEMA Type 4X
– Housing Aluminium, stainless steel	IP 66/IP 68 (0.2 bar), NEMA Type 6P

Approvals

You can find detailed information on the existing approvals in the "configurator" on our homepage at www.vega.com/configurator.

Operation

Adjustment on VEGADIS 81

The sensor adjustment is carried out via the VEGADIS 81 optionally used in the display and adjustment module PLICSCOM. Another adjustment possibility is via a PC with the adjustment software PACTware and respective DTM. The PC is connected to the VEGADIS 81 via the interface adapter VEGACONNECT.

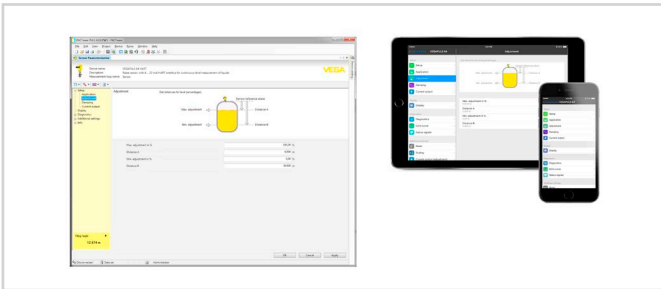
Wireless adjustment via Bluetooth

The Bluetooth version of display and adjustment module enables a wireless connection to standard adjustment units. This can be smartphones/tablets with iOS or Android operating system or PCs with PACTware and Bluetooth USB adapter.



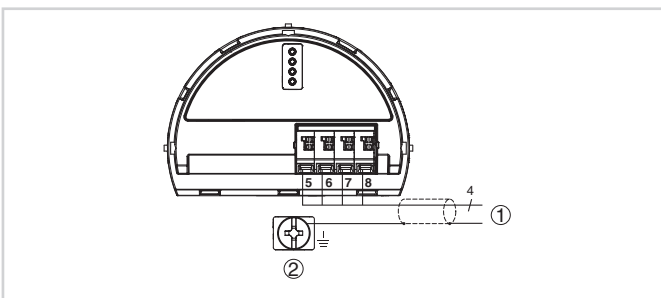
Wireless connection to standard operating devices

Adjustment is hence carried out via a free-of-charge app from the Apple App Store or the Google Play Store or via the adjustment software PACTware and respective DTM.



Adjustment via PACTware or app

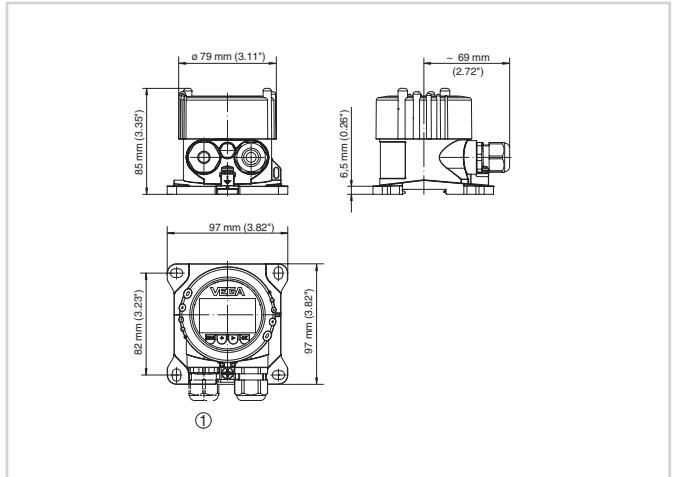
Electrical connection



Wiring plan VEGADIS 81 for 4 ... 20 mA/HART sensors

- 1 To the sensor
- 2 Ground terminal for connection of the cable screen

Dimensions



Dimensions VEGADIS 81

- 1 Cable gland with version with heated display and adjustment module

Information

You can find further information on the VEGA product line on our homepage www.vega.com.

In the download section under www.vega.com you'll find free operating instructions, product information, brochures, approval documents, instrument drawings and much, much more.

Contact

You can find the VEGA agency serving your area on our homepage www.vega.com.