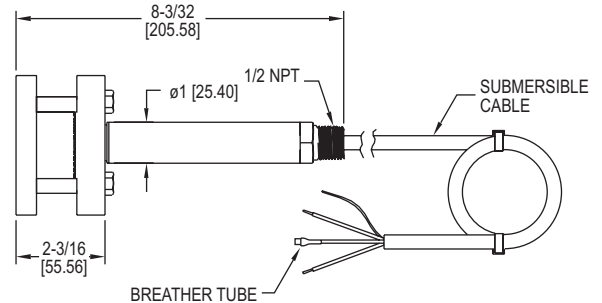
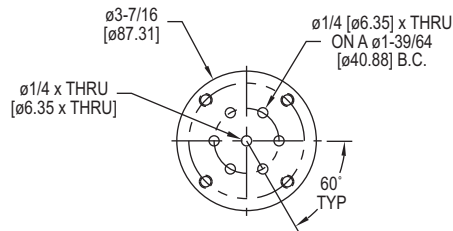




Series PBLTX Submersible Level Transducer

Specifications - Installation and Operating Instructions



The **Series PBLTX Submersible Level Transducer** is manufactured for years of trouble free service in the harshest applications. The PBLTX measures the height of liquid above its position in the tank referenced to atmospheric pressure. The transducer consists of a piezoresistive sensing element, encased in a 316 SS housing. Perfect for wastewater and slurry applications with features to protect the unit from these demanding applications. Large diameter 316 SS diaphragm seal is non-clogging and damage resistant to floating solids.

Comes equipped with a 270-pound tensile strength, shielded, vented cable. Ventilation tube in the cable automatically compensates for changes in atmospheric pressure above the tank. The vent is protected with a maintenance free filter eliminating particulate or water droplets from entering the transducer.

Intrinsic Safety Approval Classification

The PBLTX is UL listed for use in Hazardous (Classified) Locations. The protection method is by Intrinsic Safety, "ia". It was investigated by UL under UL Standard 913 8th Edition, CAN/CSA C22.2 No. 60079-0:15 and CAN/CSA C22.2 No. 60079-11:14.

Hazardous (Classified) Location Intrinsically Safe For:

Class I Div. 1 Groups A,B,C,D
 Class II Div. 1 Groups E,F,G
 Class III Div. 1
 Class I Zone 0 AEx ia IIC T4 Ga
 Zone 20 AEx ia IIIC T135°C Da
 Ex ia IIC T4 Ga
 Ex ia IIIC T135°C Da
 Ta = -20°C to 80°C (ETFE Cable)
 Ta = -20°C to 65°C (Polyurethane Cable)
 Install in accordance with Control Drawing 001833-44.
 See Control Drawing 001833-44 for Entity Parameters.

ATEX: EU Type Certificate NO. DEMKO 18 ATEX 2080

ATEX STANDARDS: EN 60079-0:2012/A11:2013

EN 60079-11:2012

ATEX CLASSIFICATION: **CE** 0518 **Ex** II 1 G Ex ia IIC T4 Ga (-20°C ≤ Tamb ≤ 80°C (ETFE Cable)) (-20°C ≤ Tamb ≤ 65°C (Polyurethane Cable))

CE 0518 **Ex** II 1 D Ex ia IIIC T135°C Da (-20°C ≤ Tamb ≤ 80°C (ETFE Cable)) (-20°C ≤ Tamb ≤ 65°C (Polyurethane Cable))

IECEX Certificate of Conformity: IECEX UL 18.0086

IECEX STANDARDS: IEC 60079-0: 2011 6TH ED.

IEC 60079-11:2011 6TH ED.

IECEX CLASSIFICATION: Ex ia IIC T4 Ga (-20°C ≤ Tamb ≤ 80°C (ETFE Cable))

(-20°C ≤ Tamb ≤ 65°C (Polyurethane Cable))

Ex ia IIIC T135°C Da (-20°C ≤ Tamb ≤ 80°C (ETFE Cable)) (-20°C ≤ Tamb ≤ 65°C

(Polyurethane Cable))

Install in accordance with Control drawing 001833-47

SEE CONTROL DRAWING 001833-47 FOR ENTITY PARAMETERS.

SPECIFICATIONS

Service: Compatible liquids.

Wetted Materials: Body: 316 SS, 316L SS; Cable: Polyether polyurethane or ETFE; Seals: Fluoroelastomer.

Accuracy: ±0.25% FS.

Temperature Limit: ETFE cable equipped -4 to 176°F (-20 to 80°C); Polyurethane cable equipped -4 to 149°F (-20 to 65°C).

Compensated Temperature Range: -4 to 176°F (-20 to 80°C).

Thermal Effect: Less than ±.02%/ FS/°F.

Pressure Limit: 2X FS.

Power Requirement: 10-28 VDC.

Output Signal: 4-20 mA DC, two wire.

Response Time: 50 msec.

Max. Loop Resistance: 900 Ω.

Electrical Connection: Wire pigtail.

Mounting Orientation: Suspended in tank below level being measured. Can be placed on the bottom of the tank on its side.

Weight: 4.3 lb (2.0 kg).

Agency Approvals: CE, See Intrinsic Safety Approval Classification.

WARNING Use with approved safety barriers using entity evaluation.

CAUTION

Do not exceed specified supply voltage ratings. Permanent damage not covered by warranty will result. This device is not designed for 120 or 240 volt AC operation. Use only on 10-28 VDC.

MAINTENANCE

After final installation of the pressure transducer and its companion receiver, no routine maintenance is required. A periodic check of system calibration is suggested. The Series PBLTX transducers are not field repairable and should be returned if repair is needed (field repair should not be attempted and may void warranty). Be sure to include a brief description of the problem plus any relevant application notes. Contact customer service to receive a return goods authorization number before shipping.

INSTALLATION

1. Location: Select a location where the temperature of the transducer will be between -4 and 176°F (-20 to 80°C) for ETFE cable or -4 and 149°F (-20 to 65°C) for polyurethane cable. Distance from the receiver is limited only by total loop resistance.

2. Position: The transducer is not position sensitive. However all standard models are originally calibrated with the unit in a position with the diaphragm downward. Although they can be used at other angles, for best accuracy it is recommended that units be installed in the position calibrated at the factory.

3. Mounting: The transducer can be mounted via several methods. It can be suspended from the electrical cable, it can be placed resting on the bottom of the tank in either horizontal or vertical orientation, or it can be attached to a pipe or hang wire by the 1/2" NPT male connection on the top of the housing.

4. Wire Length: The maximum length of wire connecting the transducer and receiver is a function of wire size and receiver resistance. Wiring should not contribute more than 10% of the receiver resistance to total loop resistance. For extremely long runs (over 1000 feet), choose receivers with higher resistance to minimize the size and cost of connecting leads. Where wiring length is under 100 feet, wire as small as 22 AWG can be used.

5. Wiring: An external power supply delivering 10-28 VDC with minimum current capability of 40 mA DC (per transducer) is required to power the control loop. See Figure A for connection of the power supply, transducer and receiver. The range of appropriate receiver load resistance (RL) for the DC power supply voltage available is expressed by the formula:

$$RL \text{ Max} = \frac{V_{ps} - 10 \text{ V}}{20 \text{ mA DC}}$$

Shielded cable is recommended for control loop wiring.

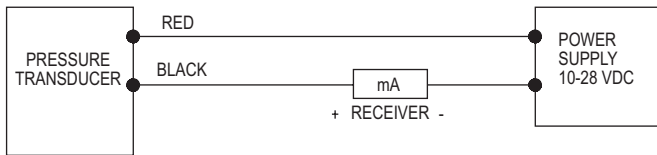


Figure A

Black wire is negative (-) and red wire is positive (+) in Figure B.

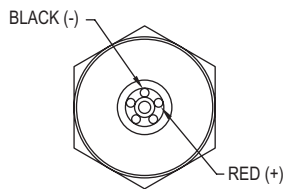


Figure B

NOTES:

- SELECTED ASSOCIATED APPARATUS MUST BE THIRD PARTY LISTED AS PROVIDING INTRINSICALLY SAFE CIRCUITS FOR THE APPLICATION, AND NOT EXCEED THE RATINGS LISTED IN THIS DRAWING.
- INDUCTIVE AND CAPACITIVE TIME CONSTANTS OF THE INTRINSICALLY SAFE TRANSDUCE TO THE ASSOCIATED APPARATUS SHALL BE CALCULATED AND MUST INCLUDE THE SYSTEM CALCULATIONS AS SHOWN WITHIN THIS DRAWING. TOTAL CAPACITANCE IS CALCULATED BY ADDING BOTH (C_{cable}) AND (C_{user}) TO C_1 WHERE (C_{cable}) IS THE CAPACITANCE OF FACTORY WIRING PROVIDED WITH THE PBLTX AND (C_{user}) IS CAPACITANCE OF ANY ADDITIONAL END USER CABLE THAT IS WIRED TO THE PBLTX. TOTAL INDUCTANCE IS CALCULATED BY ADDING BOTH (L_{cable}) AND (L_{user}) TO L_1 WHERE (L_{cable}) IS THE INDUCTANCE OF FACTORY WIRING PROVIDED WITH THE PBLTX AND (L_{user}) IS THE INDUCTANCE OF ANY ADDITIONAL END USER CABLE THAT IS WIRED TO THE PBLTX. WHEN PROVIDED WITH POLYURETHANE CABLE, THE CAPACITANCE (C_{cable}) IS 96 pF/FT (315pF/M) AND INDUCTANCE (L_{cable}) IS 346nH/FT (1.135uH/M).
- WHEN PROVIDED WITH ETE CABLE, THE CAPACITANCE (C_{cable}) IS 96 pF/FT (315pF/M) AND INDUCTANCE (L_{cable}) IS 340 nH/FT (1.116uH/M). WHERE CABLE CAPACITANCE AND INDUCTANCE PER UNIT LENGTH ARE NOT KNOWN, THE CAPACITANCE OF 60pF/FT (200pF/M) AND INDUCTANCE OF 0.2uH/FT (1.0 uH/M) MAY BE USED. PLEASE NOTE THAT THE PBLTX CABLE LENGTH IS SPECIFIED WITHIN THE NOMENCLATURE, SEE ITEM "ccc" FOR LENGTH AND ITEM "d" FOR UNIT OF LENGTH. THIS LENGTH WILL NEED TO BE MULTIPLIED BY THE CORRECT PARAMETER (C_{cable}) AND (L_{cable}) SPECIFIED ABOVE, BASED ON THE CABLE PROVIDED, SEE NOMENCLATURE ITEM "e" FOR THE DEVICE'S CABLE TYPE.
- THE ASSOCIATED APPARATUS'S INSTALLATION INSTRUCTIONS MUST BE FOLLOWED WHEN INSTALLING THE EQUIPMENT.
- WARNING - ALL FIELD WIRING SHALL BE SUITABLE FOR AN AMBIENT TEMPERATURE RANGE OF -20° TO 80°C.
- THE CABLE USED IN THIS DEVICE HAS A VENT TUBE THEREFORE THE CABLE ATTACHED TO THE PBLTX SHALL BE TERMINATED IN THE HAZARDOUS AREA.
- NO REVISIONS TO THIS DRAWING WITHOUT PRIOR APPROVAL BY UL/DEMKO.
- TRANSDUCE TO BE INSTALLED IN ACCORDANCE TO IEC/EN 60079-14 OR ANY LOCAL INSTALLATION CODES/REQUIREMENTS.

ATEX CLASSIFICATION: Ex II 1 G Ex ia IIC T4 Ga (-20°C ≤ Tamb ≤ 80°C (ETE CABLE)) (-20°C ≤ Tamb ≤ 65°C (POLYURETHANE CABLE))
 Ex II 1 D Ex ia IIC T1.35°C Da (-20°C ≤ Tamb ≤ 80°C (ETE CABLE)) (-20°C ≤ Tamb ≤ 65°C (POLYURETHANE CABLE))

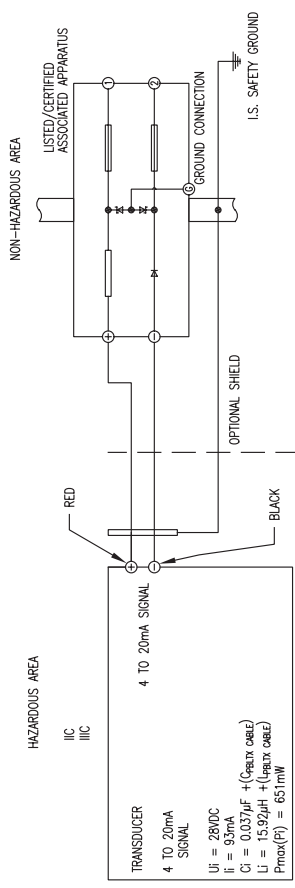
IECex CLASSIFICATION: Ex ia IIC T4 Ga (-20°C ≤ Tamb ≤ 80°C (ETE CABLE)) (-20°C ≤ Tamb ≤ 65°C (POLYURETHANE CABLE))
 Ex ia IIC T1.35°C Da (-20°C ≤ Tamb ≤ 80°C (ETE CABLE)) (-20°C ≤ Tamb ≤ 65°C (POLYURETHANE CABLE))

ATEX STANDARDS: EN 60079-0:2017/A11:2013
 EN 60079-11:2012

IEC STANDARDS: IEC 60079-0:2011 6TH ED.
 IEC 60079-11:2011 6TH ED.

PBLTX-ccc-ddd-eee-f-f-f
 L-BLANK(STANDARD) OR 2YR(2 YEAR WARRANTY) WARRANTY TYPE
 L-BLANK(ETE CABLE) OR PU(POLYURETHANE CABLE) CABLE TYPE
 L-BLANK(FEET) OR (METERS) CABLE UNITS
 L ONE TO THREE DIGIT NUMERIC CHARACTER
 L 1 TO 470(FEET) OR 1 TO 143(METERS) FOR POLYURETHANE CABLE,
 L 1 TO 275(FEET) OR 1 TO 84(METERS) FOR ETE CABLE CABLE LENGTH
 L-BLANK(FS) OR (METERS) RANGE UNITS
 L ONE TO FIVE DIGIT NUMERIC CHARACTER,
 L 5 TO 145 (FS) OR (METERS) RANGE
 L 3.5 TO 100 METERS OF WC SENSOR RANGE

ZONE AND DIVISION ENTITY PARAMETERS ARE SHOWN AS: DIVISION (ZONE)



ASSOCIATED APPARATUS
 Voc (Vo) ≤ 28V
 Isc (Io) ≤ 93mA
 Po (Po) ≤ 0.651W
 Co (Co) ≥ 0.037uF + (Cable) + (Cable)
 Lo (Lo) ≥ 15.92uH + (Lcable) + (Lcable)

⊕ = CRITICAL DIMENSION
 DIMENSIONS UNLESS NOTED:
 ALL DIMENSIONS ± .005
 ALL ANGLES ± 1°

MATERIAL		DATE		NAME	
FINISH		02-14-18		PBLTX	
		DWN BY		I.S. CONTROL DRAWING	
		AMS		ATEX/IECex	
		RBS			
		6-20-18			
		CHKD			
		AMS			
		02-28-18			
		APFD			
		BY/DATE		LR	
		CHANGES			
		NO.			
		AG02002		3	
		AG02002		3	

Dwyer Instruments, Inc.
 MICHIGAN CITY, INDIANA 46360 U.S.A.

FR. NO. 001833-47