

### PRINCIPAL APPLICATIONS

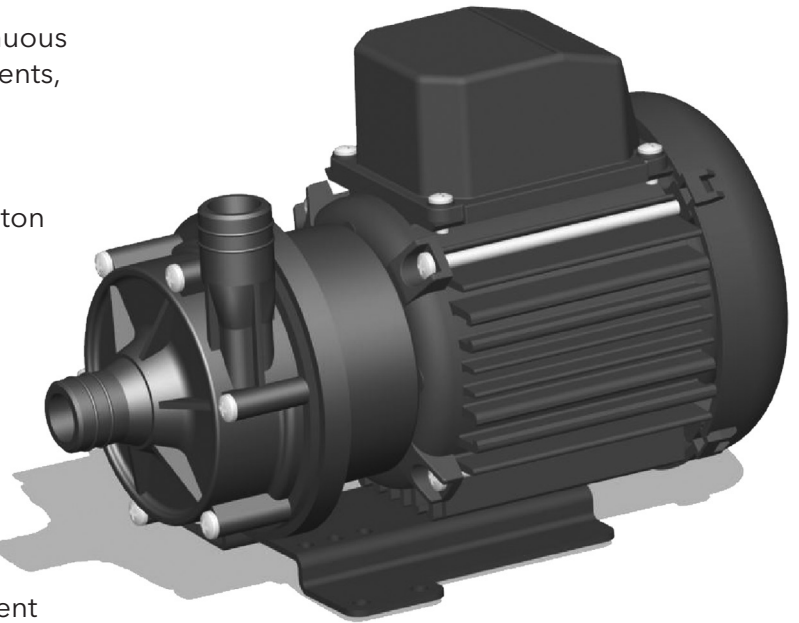
For applications requiring safe, leak-free, continuous flow of aggressive chemicals, acids, alkalis, solvents, sterile and chilled fluids.

### WETTED MATERIALS

- Standard EPDM O Ring, optional Nitrile or Viton
- PP encapsulated magnet, PVDF optional
- PP pump housing, PPS & PVDF optional
- PPS spindle housing, PVDF optional
- Alumina ceramic spindle
- All PPS versions available for high temperature/pressure applications

### FEATURES

- Manufactured in chemical resistant thermoplastics - entirely non-metallic
- Magnetic couplings provide an energy efficient thermal shield, minimising heat transfer to the pumped fluid
- IPX5 standard motor housing.
- Deep groove ball bearings



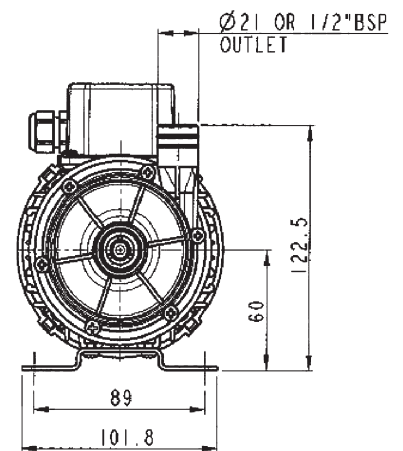
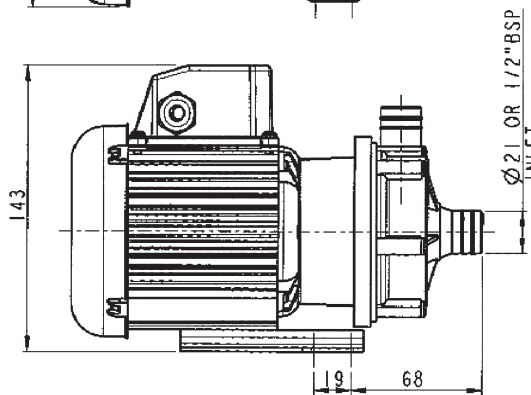
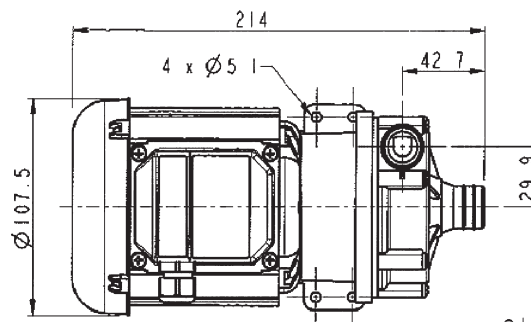
### OPTIONS

#### NEMP50/7

Motor Voltage/Freq	Port Details
230V 1Ph 50Hz	Plain 21 mm
230V 1Ph 50Hz	1/2" BSP Male
230V 1Ph 60Hz	Plain 21 mm
230V 1Ph 60Hz	1/2" BSP Male

#### NEMP50/7

Motor Voltage/Freq	Port Details
110V 1Ph 50Hz	Plain 21 mm
110V 1Ph 50Hz	1/2" BSP Male
110V 1Ph 60Hz	Plain 21 mm
110V 1Ph 60Hz	1/2" BSP Male



### DIMENSIONS

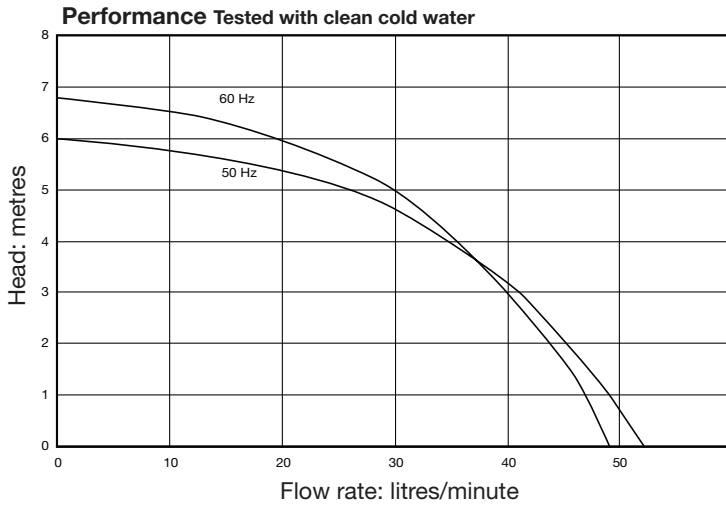
Drawings not to scale  
Dimensions in millimetres

### SPECIFICATION

Model	Overall height (mm)	Overall length (mm)	Overall width (mm)	Weight (kg)	Max body pressure (bar)	Run-out flow rate (l/min)	Closed valve head (m)	Temp range (degC)	*Max specific gravity	Motor output (watts)
NEMP50/7	143	214	107	3.0	1.4	50 Hz 50	6.0	-20 to +85	1.2	60
						60 Hz 52	6.8			

\*Assuming maximum viscosity of 30cp.

## PERFORMANCE



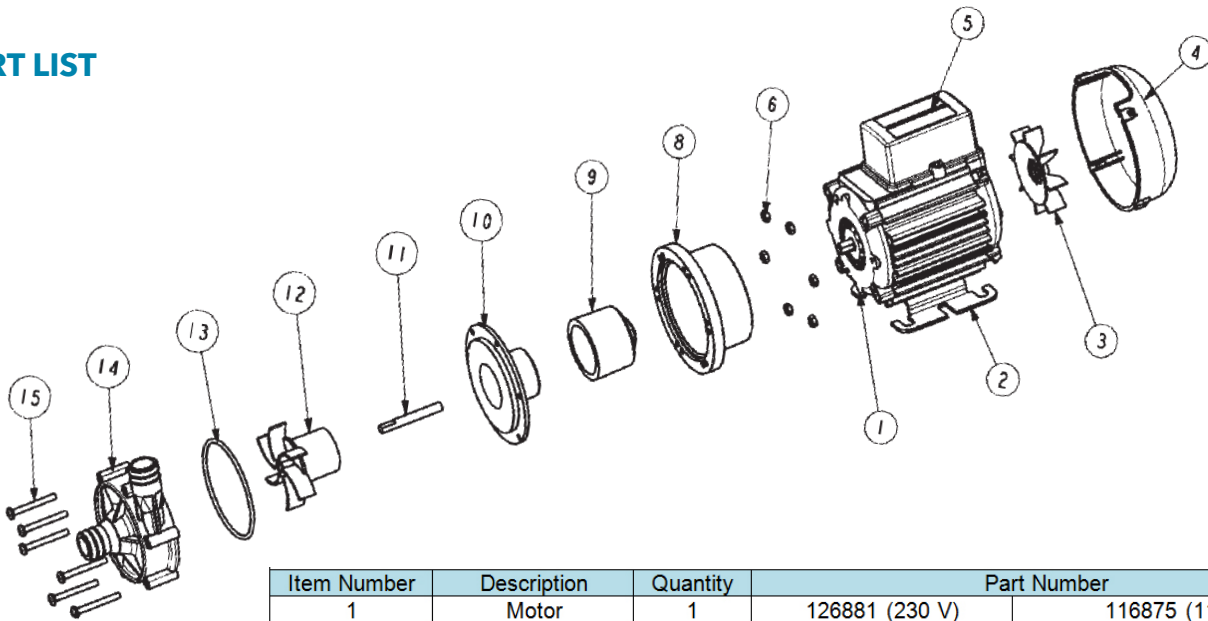
NOTE: These magnetically coupled pumps are designed for use with clean fluids.

Solids will cause jamming. Abrasives will reduce pump life and invalidate the warranty.

NEMP pumps are not self priming and are not designed to run dry.

The company reserves the right to change specifications.

## PART LIST



Item Number	Description	Quantity	Part Number			
1	Motor	1	126881 (230 V)		116875 (110V)	
2	Mounting Foot	1	036329			
3	Fan	1	046033			
4	Fan Cowl	1	036085			
5	Terminal Box	1	036085			
6	Nut	6	032105			
8	Adaptor	1	036324			
9	Drive Magnet	1	006287			
10	Spindle Housing	1	016311			
11	Spindle	1	006244			
12	Impeller	1	016355 (50Hz)		026215 (60Hz)	
13	O ring	1	013290 (EPDM)	021056 (Viton)	003398 (Nitrile)	
14	Pump Body	1	016358 (plain port PP)	016366 (plain port PPS)	016360 (threaded port PP)	016368 (threaded port PPS)
15	Screw	6	022115			

**xylem**  
Let's Solve Water

[www.xyleminc.com](http://www.xyleminc.com)

**UK**  
**Xylem**  
Bingley Road, Hoddesdon  
Hertfordshire EN11 0BU  
Tel: +44 (0) 1992 450145  
Fax: +44 (0) 1992 467132

**USA**  
**Xylem**  
100 Cummings Center Drive  
Suite 535-N, Beverly, MA 01915  
Tel: +1 978 281-0440  
Fax: +1 978 283-2619

**ITALY**  
**Xylem**  
Via Tommaseo, 6  
20059 Vimercate, Milano  
Tel: +39 039 685 2323  
Fax: +39 039 666 307

**GERMANY**  
**Xylem**  
Oststrasse 28  
22844 Norderstedt  
Tel: +49-40-53 53 73-0  
Fax: +49-40-53 53 73-11

**JAPAN**  
**Xylem**  
3-21-10, Shin-Yokohama  
Kohoku-Ku, Yokohama, 222-0033  
Tel: +81-045-475-8906  
Fax: +81-045-477-1162

**Warranty:** All products of the company are sold, and all services of the company are offered subject to the company's warranty and terms of sale, copies of which will be furnished upon request. Details correct at time of printing. We reserve the right to change specifications without prior notice.