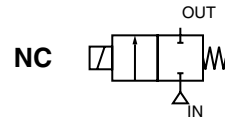


# PILOT VALVE BOXES

for explosive atmospheres, zone 22

II 3 D IP65 T85°C to T200°C

4 to 6 valves



**2/2**  
Series  
**C20**

## FEATURES

- Pilot box intended for use in potentially explosive dusty atmospheres, according to Directive ATEX 2014/34/EU
- Compliance with the Essential Health and Safety Requirements has been assured by European Standards EN 50014, EN 50281-1-1 and EN 13463-1
- Containing 4 to 6 valves, 2/2 normally closed, direct operated
- Pilot valves are assembled in base plate
- Heating element for trouble free operation at low ambient temperatures
- Class of protection: IP65
- The components satisfy all relevant EC directives

## GENERAL

**Differential pressure (PS)** 0 - 7 bar [1 bar = 100kPa]

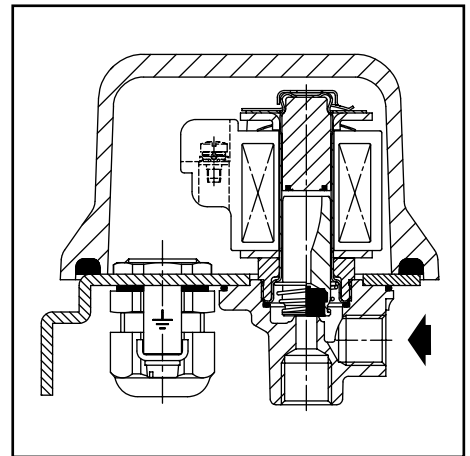
**Response times** 5 - 25 ms

fluid	temperature range (TS)	seal material
air	-20 to +80°C	NBR (nitrile)



## CONSTRUCTION

<b>Base-plate</b>	Steel (zinc plated)
<b>Cover</b>	Aluminium
<b>Core tube</b>	Stainless steel
<b>Core and plugnut</b>	Stainless steel
<b>Spring</b>	Stainless steel
<b>Disc</b>	NBR (nitrile)
<b>Pilot body</b>	Brass
<b>Shading coil</b>	Copper
<b>Coil insulation class</b>	F
<b>Electrical connection</b>	Coil with screw terminal



## ELECTRICAL CHARACTERISTICS

**Standard voltages** DC (=) 24V  
AC (-) 24V - 115V - 230V/50Hz

coil type	nominal power ratings				ambient temperature range (°C)	protection	replacement coil	
	inrush ~ (VA)	holding		hot/cold = (W)			~ 230 V/50 Hz	= 24 V DC
		(VA)	(W)					
SMXX-FB	56	35	16,7	-	0 to +85	moulded IP65	400405-217	-
SMXX-FI (1)	-	-	-	30			-	400405-642

## TEMPERATURE CLASSIFICATION TABLES

AC (-) Solenoids

power level (watt)	isolation class	maximum ambient °C surface temperature		
		85°C	100°C	135°C
		16,7	F	40°C

DC (=) Solenoids

power level (watt)	isolation class	maximum ambient °C surface temperature		
		85°C	100°C	135°C
		30,0	F	40°C

## SPECIFICATIONS

number of pilot valves	pipe size	orifice size	flow coefficient kv		operating pressure differential (bar)		catalogue number (2)	
					min.	maximum (PS)	without heating	with 1 heating element (3)
						air ~/=		
4 5 6	1/4	5,6	0,71	11,8	0	7	DU C204-220 DU C205-220 DU C206-220	DU C204-221 DU C205-221 DU C206-221

(1) Intermittent duty, Relative Duty Time is 10%. Max on time 1 min.

(2) Without heating elements: minimum ambient temperature 0°C; with one heating element: -15°C

(3) Heating element: refer to "Ordering Information". Heating element rating: 80 watt.

**OPTIONS**

- Heating element for low ambient temperatures -40°C
- Special customer adapted executions on request

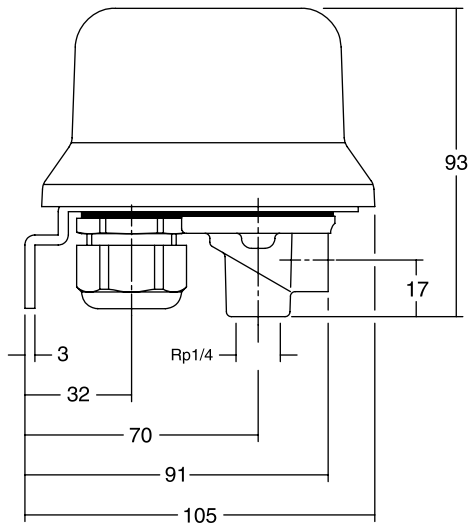
**INSTALLATION**

- The pilot boxes can be mounted in any position without affecting operation
- Pipe connections are: Rp 1/4 according to ISO 7/1 for pilot connection
- Cable entries: control cable on box : cable Ø 9 - 16 mm  
connection cable heating element : cable Ø 7 - 12 mm
- Spare parts kit and replacement coils are available

**SPARE PARTS KITS**

catalogue number	Spare parts kit no.	
	~	=
DUC204.220/221	C112838	C112682
DUC205.220/221		
DUC206.220/221		

**DIMENSIONS (mm), WEIGHT (kg)**



**ORDERING INFORMATION**

DU C20 6 - 2 2 0 230/50

Volts / Hz

**Optional execution**

- 0 = no heating element
- 1 = element with same voltage as coils. If coil voltage deviates from heating element voltage, please consult us for exact codification

Pipe size Rp 1/4

Coil type only SMXX

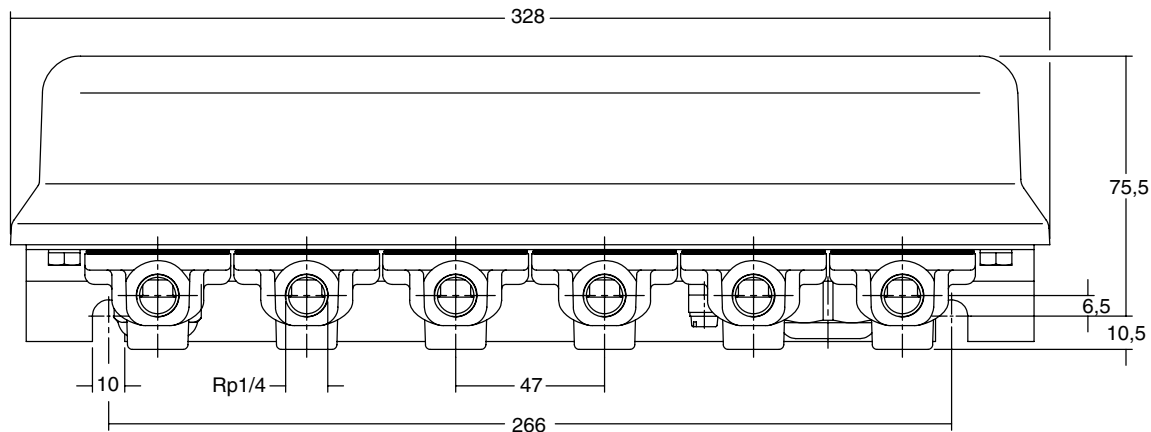
Change letter

**Number of pilots**

- 4 = 4 pilot valves
- 5 = 5 pilot valves
- 6 = 6 pilot valves

Basic number C20

Approval according to Directive ATEX 2014/34/EU



pipe connections	weight
C204	3,7
C205 Rp 1/4	4,1
C206	4,6