

PRINCIPAL APPLICATIONS

For heavy duty applications requiring safe, leak-free, continuous flow of aggressive chemicals, acids, solvents, alkalis, sterile and chilled fluids.

WETTED MATERIALS

- Standard EPDM O Ring, Viton optional
- PP encapsulated magnet, PVDF optional
- PP pump housing, PVDF optional
- PPS spindle housing PVDF optional
- Alumina ceramic spindle & thrust washers
- Graflon bushes, Rulon optional

FEATURES

- Manufactured in chemical resistant thermo-plastics - entirely non-metallic
- Magnetic couplings provide an energy efficient thermal shield, minimising heat transfer to the pumped fluid
- IP55 standard motor housing
- High SG versions available

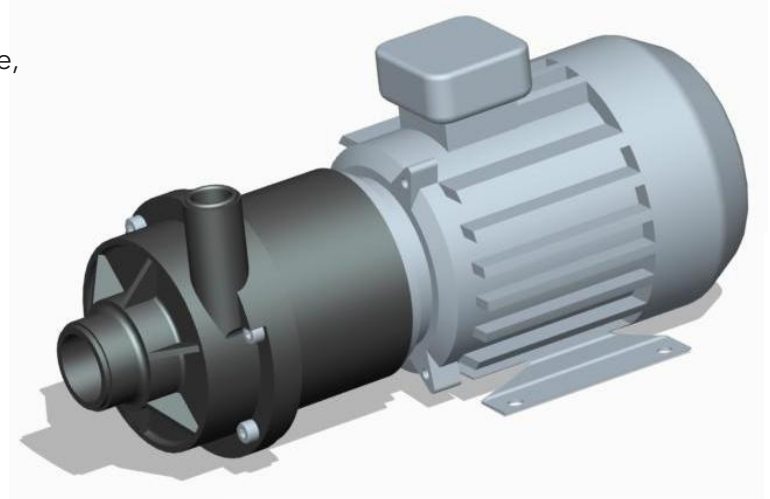
OPTIONS

NEMP120/8 Port Details

230V 1Ph 50Hz 1 1/4" BSP M inlet 3/4" BSP M outlet

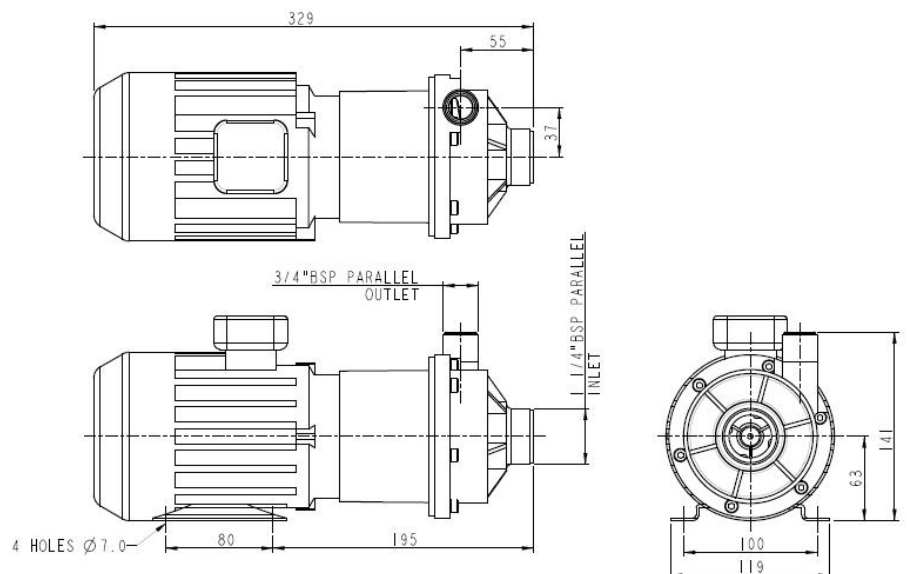
415V 3Ph 50Hz 1 1/4" BSP M inlet 3/4" BSP M outlet

110V 50/60 Hz versions available



DIMENSIONS

Drawings not to scale
Dimensions in millimetres

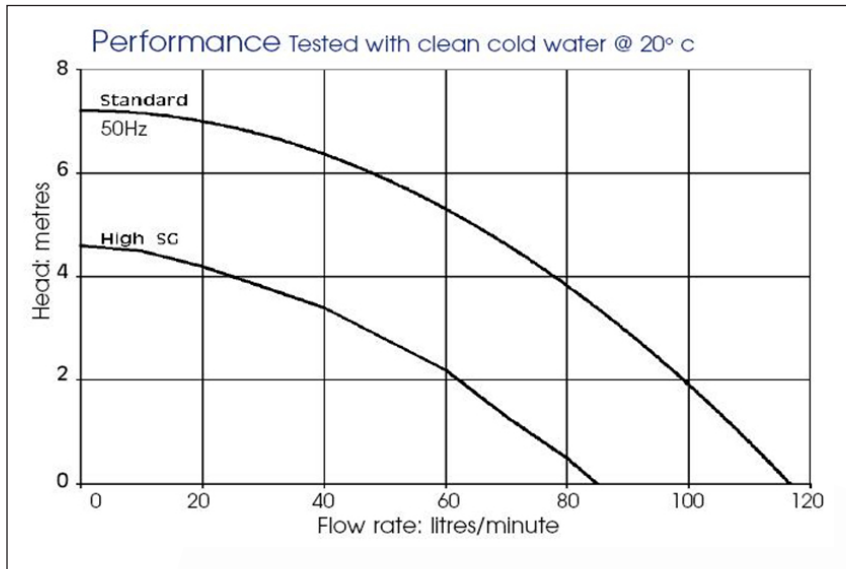


SPECIFICATION

Model	Overall height (mm)	Overall length (mm)	Overall width (mm)	Weight (kg)	Max body pressure (bar)	Run-out flow rate (l/min)	Closed valve head (m)	Temp range (degC)	*Max specific gravity	Motor output (watts)
NEMP120/8	141	329	119	5.5	1.7	117	7.2	-20 to +85	1.2	180 (1Ph) 250 (3Ph)

*Assuming maximum viscosity of 30cp.

PERFORMANCE



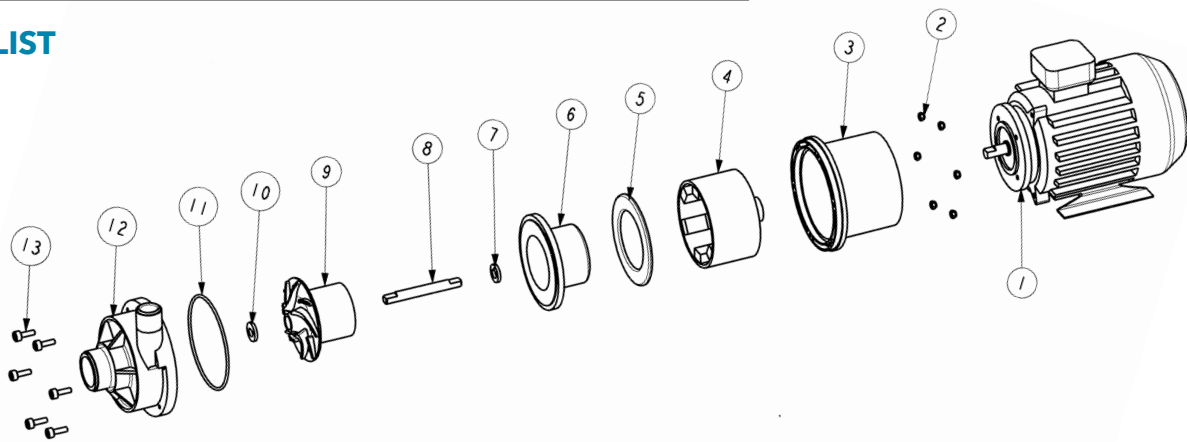
NOTE: These magnetically coupled pumps are designed for use with clean fluids.

Solids will cause jamming. Abrasives will reduce pump life and invalidate the warranty.

NEMP pumps are not self priming and are not designed to run dry.

The company reserves the right to change specifications.

PART LIST



Item Number	Description	Quantity	Part Number			
1	Motor	1	008857 (110V 1Ph 50Hz)	008843 (110V 1 Ph 60Hz)	008823 (230V 1 Ph 50/60Hz)	008824 (400V 3 Ph 50Hz/60Hz)
2	Nut	6	001564			
3	Adaptor	1	018368			
4	Drive Magnet	1	008624			
5	Support Plate	1	008295			
6	Spindle Housing	1	018316 (PPS)		008302 (PVDF)	
7	D Washer	1	008298			
8	Spindle	1	008297			
9	Impeller	1	038607 (PP 50Hz)		018667 (PP 60Hz and High SG)	
			018633 (PVDF 50Hz)		018668 (PVDF 60Hz and High SG)	
10	D Washer	1	008298			
11	O ring	1	008276 (EPDM)		008217 (Viton)	
12	Pump Body	1	018382 (PP)		008308 (PVDF)	
13	Screw	6	001759			

xylem
Let's Solve Water

www.xyleminc.com

UK
Xylem
Bingley Road, Hoddesdon
Hertfordshire EN11 0BU
Tel: +44 (0) 1992 450145
Fax: +44 (0) 1992 467132

USA
Xylem
100 Cummings Center Drive
Suite 535-N, Beverly, MA 01915
Tel: +1 978 281-0440
Fax: +1 978 283-2619

ITALY
Xylem
Via Tommaseo, 6
20059 Vimercate, Milano
Tel: +39 039 685 2323
Fax: +39 039 666 307

GERMANY
Xylem
Oststrasse 28
22844 Norderstedt
Tel: +49-40-53 53 73-0
Fax: +49-40-53 53 73-11

JAPAN
Xylem
3-21-10, Shin-Yokohama
Kohoku-Ku, Yokohama, 222-0033
Tel: +81-045-475-8906
Fax: +81-045-477-1162

Warranty: All products of the company are sold, and all services of the company are offered subject to the company's warranty and terms of sale, copies of which will be furnished upon request. Details correct at time of printing. We reserve the right to change specifications without prior notice.