

Data sheet

Thermostat type AT

Application

The AT pipe thermostat is used to regulate the medium temperature in the pipe on which the thermostat is mounted. AT senses the temperature in the pipe through its contact surface and is therefore suitable to control boiler or flow temperature in central heating systems.

The AT pipe thermostat comprises a bimetallic sensor, a contact system and a setting knob. On connection to terminals CO and NC the thermostat breaks on a rise in temperature. On connection to terminals CO and NO the thermostat closes on a rise in temperature.

The AT thermostat can be mounted on the pipe without emptying the plant of water.



Technical Data

Temperature range	30 to 90 °C
Temperature scale	external (type 041E0000) internal (type 041E0020)
Temperature differential	8 K
Max. temperature plant surface	Ts90
Max. ambient temperature	55 °C
Storage temperature	-20 to 90 °C
Switch system	SPDT
Enclosure	IP40
Terminal CO-NC	Breaks on temperature rise
Terminal CO-NO	Closes on temperature rise
Switch load	6 (2.5) A, 250 Vac 0.1 A, 250 Vdc
CE marking in accordance with the directives	<ul style="list-style-type: none"> • EMC • LVD • RoHS
Environment	Normal
Installation	Installed in any position

Accessories

Product	Code no.
Heat-conductive compound ~ 5 g	041E0110
Heat-conductive compound ~ 1 kg	041E0111

Data sheet

Thermostat type AT

Installation

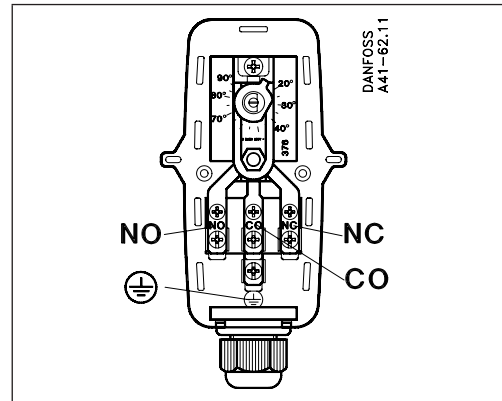
The AT thermostats are mounted directly on a pipe with the steel band provided, suitable for pipe sizes G ½ to 3.

A tube containing heat-conductive compound is supplied with the thermostat. The compound has very good heat conducting properties and should be applied between the thermostat contact surface and the pipe.

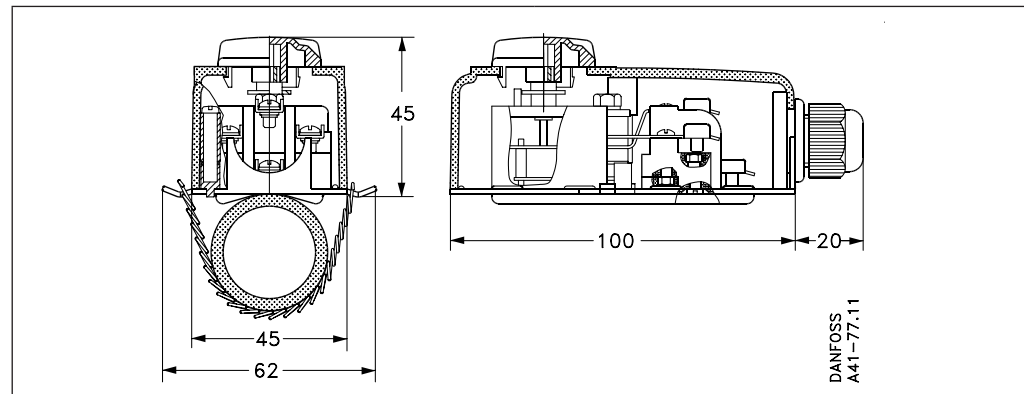
Electrical connections

Internal ground terminal screw in the base, M3.5. Alternatively, plug connection (AMP).

Electrical connection, M3.5 screw terminals or plug (AMP).



Dimensions



Additional documentation on burner components is available on <http://heating.danfoss.com/>

Danfoss A/S

Heating Segment • heating.danfoss.com • +45 7488 2222 • E-Mail: heating@danfoss.com

Danfoss can accept no responsibility for possible errors in catalogues, brochures and other printed material. Danfoss reserves the right to alter its products without notice. This also applies to products already on order provided that such alterations can be made without subsequential changes being necessary in specifications already agreed. All trademarks in this material are property of the respective companies. Danfoss and all Danfoss logotypes are trademarks of Danfoss A/S. All rights reserved.