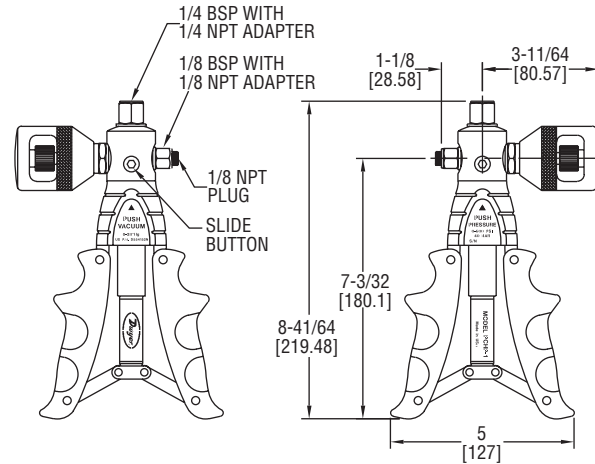




PNEUMATIC CALIBRATION HAND PUMP

Generates up to 600 psi (40 bar), Comfort Grip Handles



The **SERIES PCHP** Pneumatic Calibration Hand Pump sources pressure and vacuum to check calibration of gages, switches, transmitters, and recorders. The contoured cushion handles provide extra comfort while preventing the pump from sliding.

FEATURES/BENEFITS

- Oversized check valve maintain smooth operation
- Dual O-rings on pistons ensure no leaks

APPLICATIONS

- Instrument calibration
- Laboratories
- Production areas

ACCESSORY	
Model	Description
PCHP-HK	High pressure hose

SPECIFICATIONS

Output Ranges: -28 in Hg to 600 psi (-0.945 to 40 bar).

Process Connection: 1/4" NPT/BSP.

Gage Connection: 1/8" NPT/BSP.

Materials: SS fittings, anodized aluminum housing, plastic/rubber handles, and nitrile O-rings.

Weight: 2 lb (0.91 kg).

MODEL CHART

Model	Description
PCHP-1	Pneumatic calibration hand pump
PCHP-1K	Pneumatic calibration hand pump with hose kit