

PRINCIPAL APPLICATIONS

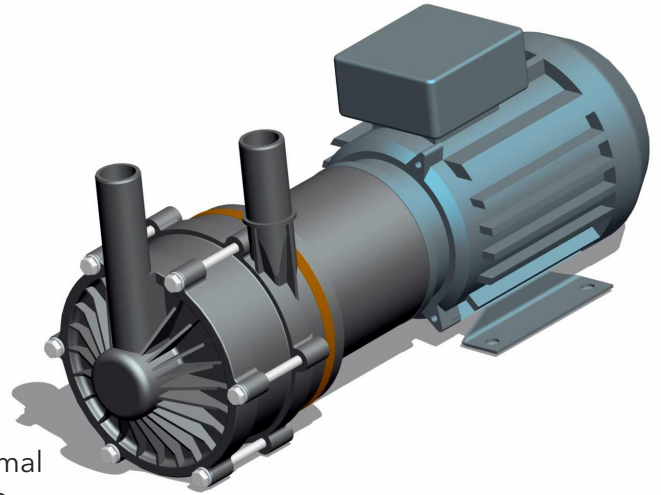
Specifically developed for applications requiring cost effective, continuous low flow for the transfer and recirculation of water and glycol solutions.

WETTED MATERIALS

- Brass spindle
- Nitrile 'O' ring
- PP/PPS pump housing
- Alumina ceramic/graflon loaded PTFE thrust washer

FEATURES

- Magnetic couplings provide an energy efficient thermal shield, minimising heat transfer to the pumped fluids
- Variable pump body orientation
- Compatible with standard pushfit fittings
- IP55 standard motor enclosure



OPTIONS

GP50/25

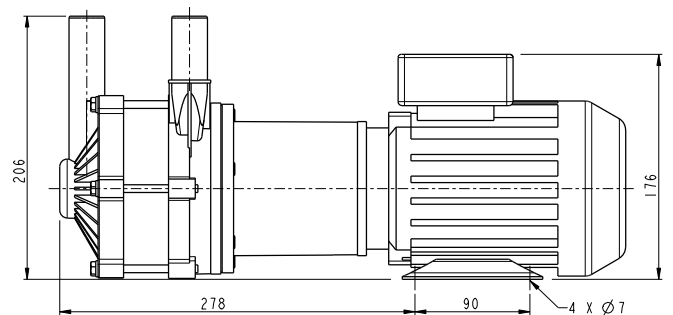
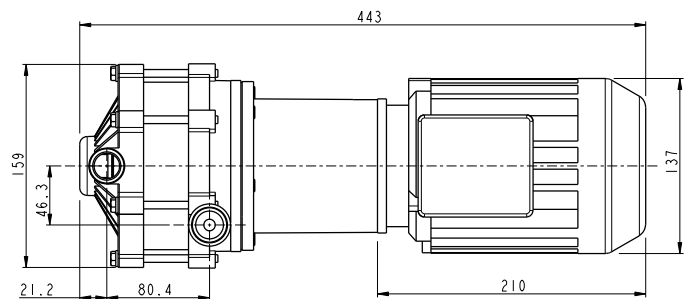
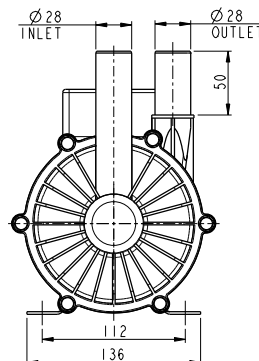
230V 1PH 50Hz
415V 3PH 50Hz

Port Details

Plain 28 mm
Plain 28 mm

DIMENSIONS

Drawings not to scale
Dimensions in millimetres

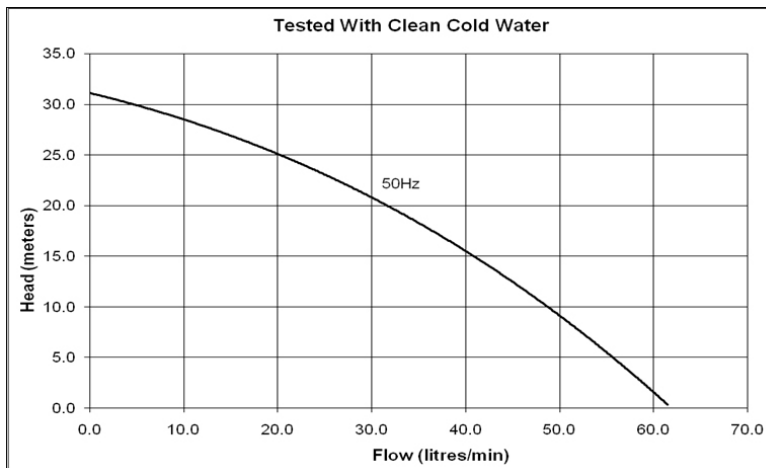


SPECIFICATION

Model	Overall height (mm)	Overall length (mm)	Overall width (mm)	Weight (kg)	Max body pressure (bar)	Run-out flow rate (l/min)	Closed valve head (m)	Temp range (degC)	*Max specific gravity	Motor output (watts)
GP50/25	206	443	159	10.1	2.0	61.5	31.5	-20 to +85	1.0	550

*Assuming maximum viscosity of 30cp. Refer to Totton Pumps for higher viscosities and specific gravities

PERFORMANCE



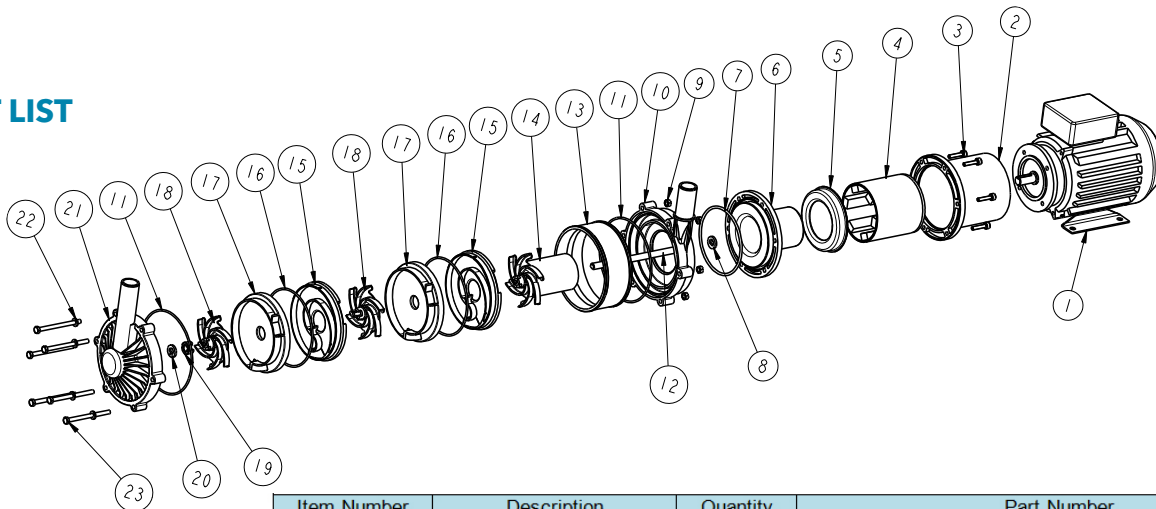
NOTE: These magnetically coupled pumps are designed for use with clean fluids.

Solids will cause jamming. Abrasives will reduce pump life and invalidate the warranty.

GP pumps are not self priming and are not designed to run dry.

The company reserves the right to change specifications.

PART LIST



Item Number	Description	Quantity	Part Number	
1	Motor	1	008825 (230V 1Ph 50Hz)	008826 (400V 3Ph 50Hz)
2	Adaptor	1	018381	
3	Screw	6	031540	
4	Drive Magnet	1	008646	
5	Support Plate	1	008352	
6	Spindle Housing	1	018317	
7	O Ring	1	008277 (EPDM)	
8	D Washer	1	008298	
9	Nut	6	001568	
10	Pump Body	1	028327	
11	O Ring	2	031542 (Nitrile)	
12	Spindle	1	036382 (Brass)	
13	Casing	1	028330	
14	Impeller – Stage 3	1	038664	
15	Return Element	2	028328	
16	O Ring	2	031543 (Nitrile)	
17	Cross-over Element	2	028329	
18	Impeller – Stage 1 & 2	2	028331	
19	Thrust Bearing	1	028325	
20	D Washer	1	008298	
21	Cover - Front	1	028326	
22	Washer	6	001567	
23	Bolt	6	031535	



www.xyleminc.com

UK
Xylem
 Bingley Road, Hoddesdon
 Hertfordshire EN11 0BU
 Tel: +44 (0) 1992 450145
 Fax: +44 (0) 1992 467132

USA
Xylem
 100 Cummings Center Drive
 Suite 535-N, Beverly, MA 01915
 Tel: +1 978 281-0440
 Fax: +1 978 283-2619

ITALY
Xylem
 Via Tommaseo, 6
 20059 Vimercate, Milano
 Tel: +39 039 685 2323
 Fax: +39 039 666 307

GERMANY
Xylem
 Oststrasse 28
 22844 Norderstedt
 Tel: +49-40-53 53 73-0
 Fax: +49-40-53 53 73-11

JAPAN
Xylem
 3-21-10, Shin-Yokohama
 Kohoku-Ku, Yokohama, 222-0033
 Tel: +81-045-475-8906
 Fax: +81-045-477-1162

Warranty: All products of the company are sold, and all services of the company are offered subject to the company's warranty and terms of sale, copies of which will be furnished upon request. Details correct at time of printing. We reserve the right to change specifications without prior notice.