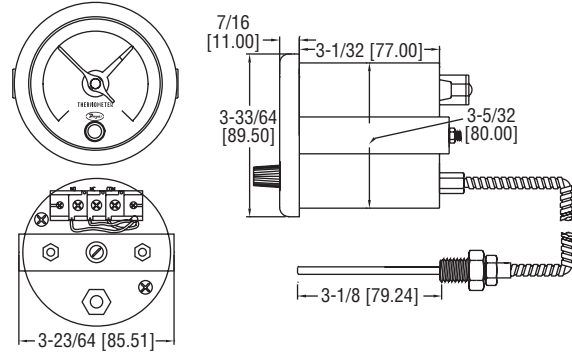


# REMOTE READING THERMOMETER WITH SWITCH

## SPDT Relay, Liquid Actuated Bulb and Capillary



The **SERIES RRT3** Remote Reading Thermometer with Switch combines an easy to read 3-1/4" dual scale dial thermometer and a SPDT relay. Color coordinated pointers display the current process temperature and set point.

### FEATURES/BENEFITS

- Quick connect electrical terminals
- Industrial armored capillary

### APPLICATIONS

- High temp shut down in process applications
- Boiler or chiller control

MODEL CHART	
Model	Temperature Ranges
RRT3120U	-40 to 120°F (-40 to 50°C)
RRT3250U	32 to 248°F (0 to 120°C)
RRT3300U	0 to 300°F (-18 to 149°C)

### SPECIFICATIONS

**Wetted Materials:** Brass.  
**Accuracy:** ±3% FS.  
**Housing Material:** 304 SS.  
**Temperature Limit:** -4 to 158°F (-20 to 70°C).  
**Switch Type:** SPDT.  
**Electrical Ratings:** 3 A @ 250 VAC, 2 A @ 250 VDC.  
**Electrical Connections:** Screw terminal.  
**Process Connection:** 1/2" (12.7 mm) male NPT.  
**Dial Size:** 3-1/2" (90 mm).  
**Capillary Length:** 10.5" (3.2 m).  
**Bulb Length:** 3-1/8" (79.24 mm).  
**Weight:** 2 lb (900 g).