

Features

- Compact spool valve with threaded port connections.
- All exhaust ports are pipable, providing better protection against harsh environments.
- Standard manual operator.
- DIN, Watertight and Explosionproof solenoids available.
- Single and dual solenoid constructions.
- Mountable in any position.

Construction

Valve Parts in Contact with Fluid	
Body	Black Anodized Aluminum
Spring	Phosphate treated black steel
Shading Coil	Copper
Seals	NBR + PUR
Core and Core tube	Stainless Steel/Brass
End Covers	6/6 glass filled PA/FG
Spool	Aluminum
Internal Parts	Zamak, Steel, CA, Aluminum

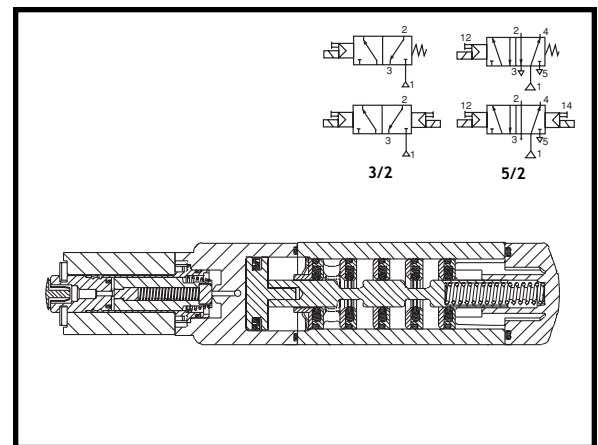
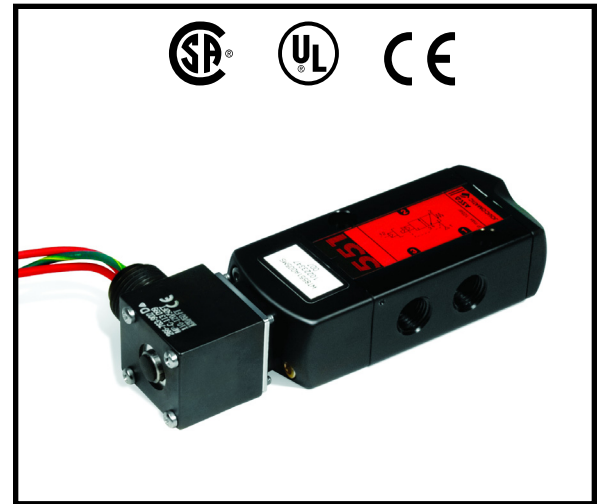
Electrical

Standard Coil and Class of Insulation	Enclosure Type	Watt Rating and Power Consumption				Spare Coil Part Number	
		DC Watts	AC Watts	VA Holding	VA Inrush	AC	DC
F	SC	3	2.5	3.5	6	400125	400125
F	EF	6.9	6.3	7	10.1	266762	270007
F	WT	6.9	6.3	7	10.1	266763	270008

Standard Voltages: SC: 24, 120, 240 volts AC, 50-60 Hz; 12, 24, 120 volts DC.
 WT and EF: 24/50-60Hz, (120/60, 110-120/50)①, (240/60, 220-240/50)②
 volts AC; 6, 12, 24, 120 volts DC.
Notes: ① Order as 120/60, 110/50
 ② Order as 240/60, 220/50

Solenoid Enclosures

Standard: - Prefix
SC = IP65 type DIN (open frame) per 46244
WT = Combination General Purpose and Watertight Types 1, 2, 3, 3S, 4, and 4X
EF = Combination Explosionproof and Watertight Types 3, 3S, 4, 4X, 6, 6P, 7, 9
CLASS 1, DIV. 1 (Groups A - D) and CLASS 2, DIV.1 Type 9 (Groups E-G)



Nominal Ambient Temperature Ranges:

SC: AC/DC: 5°F to +140°F (-15°C to 60°C)

EF: AC: 5°F to +104°F (-15°C to 40°C)
 DC: 5°F to +77°F (-15°C to 25°C)

WT: AC: 5°F to +140°F (-15°C to 60°C)
 DC: 5°F to +77°F (-15°C to 25°C)

Note: For temperatures below 32°F (0°C) moisture-free air must be used. Refer to Engineering Section for details.

Approvals:

SC: UL recognized component.

EF: UL and CSA solenoid approval.

WT: UL General Purpose valve.

Meets applicable CE directives. Refer to Engineering Section for details.

Option:

Metering: order metering device pkg. of 20 pcs.

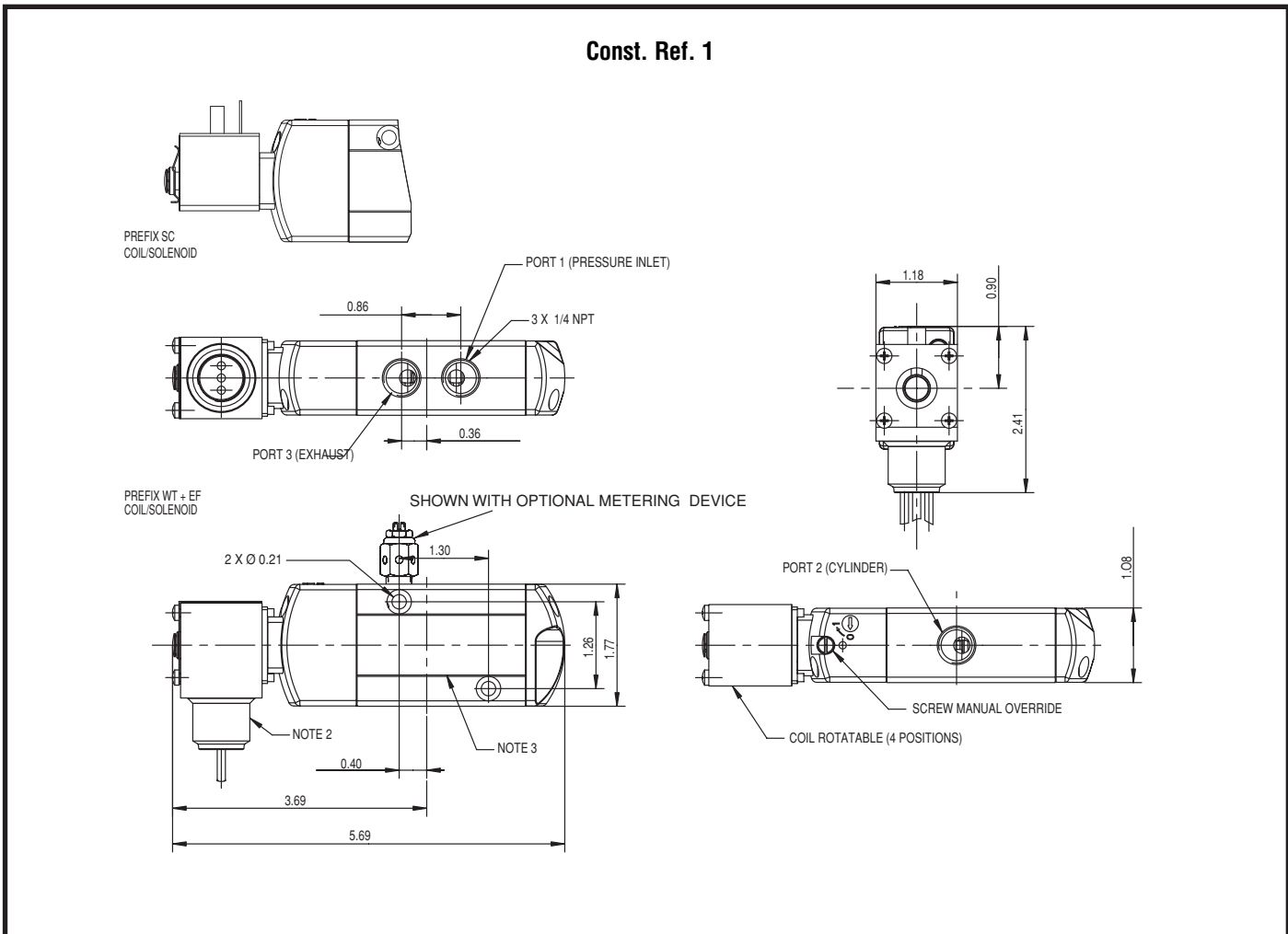
Order kit number: 276790-002-*

NOTE: When mounting inline 8551 valves with WT & EF solenoids (6.3 & 6.9 watts), ASCO recommends using two (2) 1/8" thick washers under the valve body to provide clearance for the solenoid coil.

Specifications (English units)

Pipe Size (ins.)	Orifice Size (ins.)	Cv Flow Factor	Pilot Pressure		Fluid Temp. °F (for single and dual solenoid)			Single Solenoid		Dual Solenoid		Watt Rating/ Class of Coil Insulation	
			Min.	Max.	Min.	Max. AC	Max. DC	Catalog Number	Constr. Ref. No.	Catalog Number	Constr. Ref. No.	AC	DC
OPEN FRAME DIN COIL													
3 WAY													
1/4	1/4	.86	30	150	5	140	140	SC8551A005MS	1	SC8551A006MS	3	2.5	3
4 WAY													
1/4	1/4	.86	30	150	5	140	140	SC8551A017MS	2	SC8551A018MS	4	2.5	3
WATERTIGHT ENCLOSURE													
3 WAY													
1/4	1/4	.86	30	150	5	140	77	WT8551A005MS	1	WT8551A006MS	3	6.3	6.9
4 WAY													
1/4	1/4	.86	30	150	5	140	77	WT8551A017MS	2	WT8551A018MS	4	6.3	6.9
EXPLOSIONPROOF ENCLOSURE													
3 WAY													
1/4	1/4	.86	30	150	5	104	77	EF8551A005MS	1	EF8551A006MS	3	6.3	6.9
4 WAY													
1/4	1/4	.86	30	150	5	104	77	EF8551A017MS	2	EF8551A018MS	4	6.3	6.9

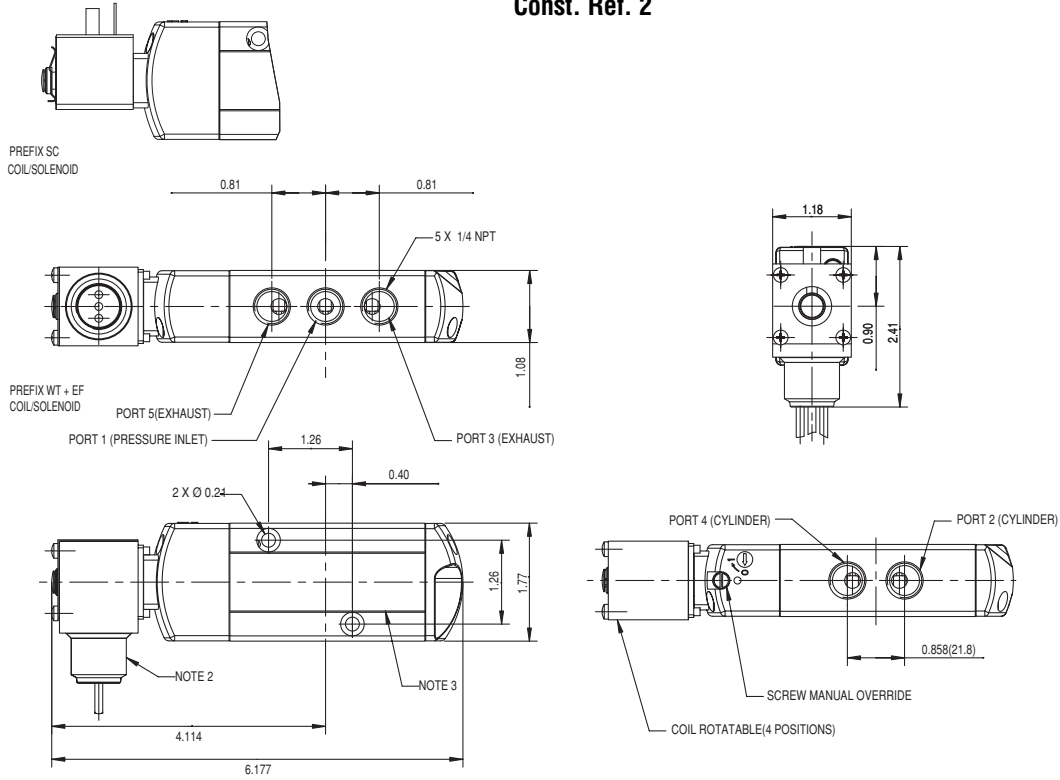
Dimensions: inches



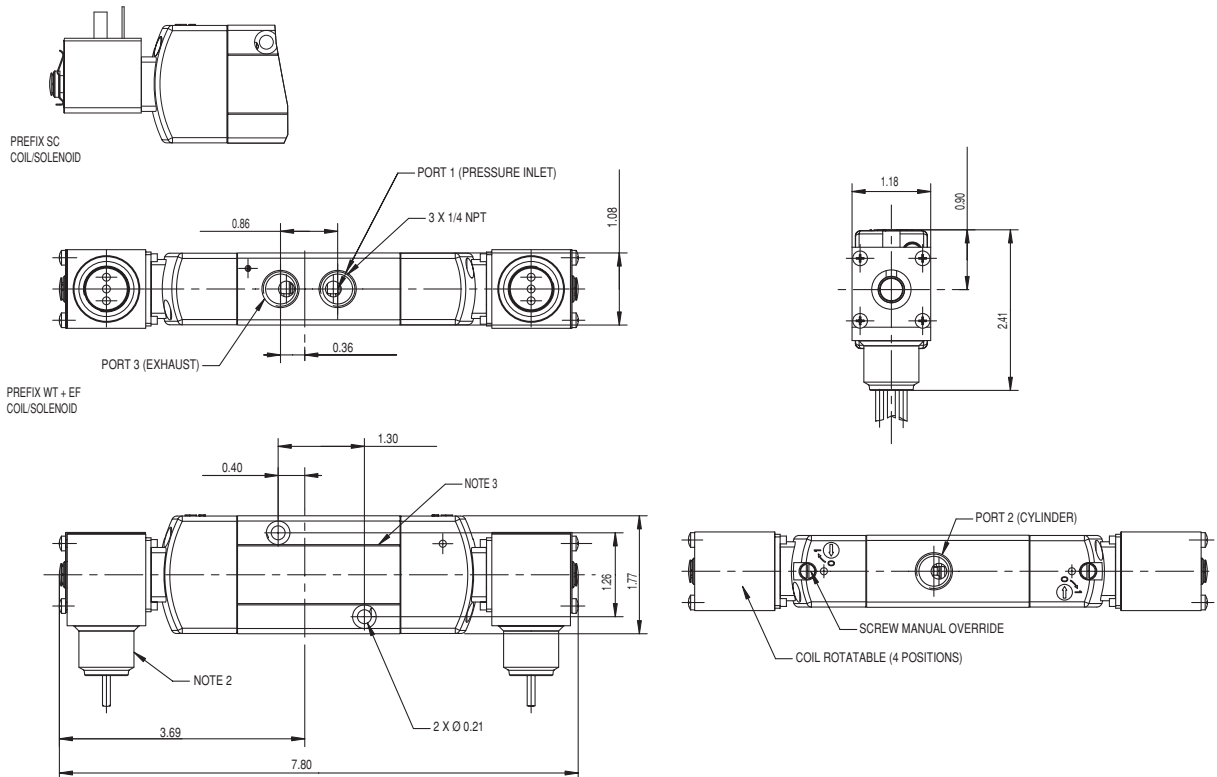


Dimensions: inches

Const. Ref. 2



Const. Ref. 3



Dimensions: inches

Constr. Ref. 4

