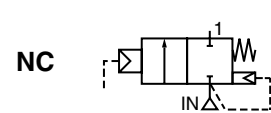


PULSE VALVES

dual stage, remote pilot
threaded body 1 1/2 to 3 or
compression fitting Ø 1 1/2



FEATURES

- The pulse valves are especially designed for dust collector service applications, combining high flow, long life and extremely fast opening and closing to produce reliable and economical operation
- The high flow, angle type bodies in combination with the special main diaphragm assemblies give the unique operating features required for dust collector service applications
- Integral compression fittings for fast, easy, secure installation
- Valves can be supplied according to ATEX Directive 2014/34/EU for non-electrical equipment
- The components satisfy all relevant EC directives

GENERAL

Differential pressure (PS) 0,35 - 8,5 bar [1 bar = 100kPa]
Ambient temperature range -20 to +85°C

fluids	temperature range (TS)	diaphragm
air	-20 to +85 °C	CR (chloroprene)
	-20 to +120 °C	FPM (fluoroelastomer)

CONSTRUCTION

Body Aluminium
Springs Stainless steel
Diaphragms CR or FPM

PILOT SOLENOID VALVES (2/2 NC function)

main pulse valves	remote pilot connection	recommended executions		
		orifice size (mm)	manifold pilot valves in a box (IP65)	single pilot valves (IP20)
G353A046 G353A063	G1/8	3,6	pilot box series 110 2 to 12 valves 1/8	series 257
G353A048 G353A049 G353.058	G1/4	5,6	pilot box series C20 4 to 6 valves 1/4	series 262

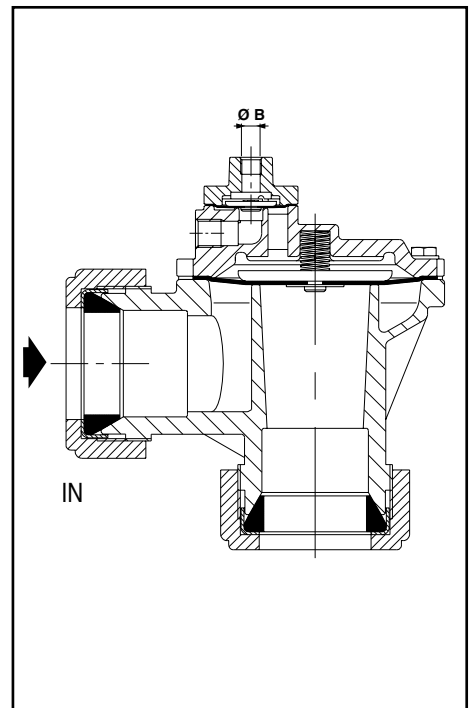


Figure shows catalogue number G353A046

SPECIFICATIONS

pipe size	orifice size	flow coefficient Kv		operating pressure differential (bar)		catalogue number		OPTION FPM
				min.	max. (PS)			
					air			
	(mm)	(m³/h)	(l/min)		~ / =	standard	ATEX II2G/D	
G - Threaded pipe connection								
1 1/2	50	46	768	0,35	8,5	G353A046 ⁽¹⁾	G353A046 GD ⁽¹⁾	V
2	66	77	1290	0,35	8,5	G353A048 ⁽²⁾	G353A048 GD ⁽²⁾	V
2 1/2	66	92	1540	0,35	8,5	G353A049 ⁽²⁾	G353A049 GD ⁽²⁾	V
Ø - Compression fitting pipe connection								
1 1/2	50	43	717	0,35	8,5	G353A063 ⁽¹⁾	G353A063 GD ⁽¹⁾	V

⁽¹⁾ Contains spring above the main diaphragm
⁽²⁾ Spring above the main diaphragm on request

60159GB-2018/R01
Availability, design and specifications are subject to change without notice. All rights reserved.

OPTIONS

- Valves can also be supplied with FPM (fluorelastomer) diaphragms and seal materials. Use the appropriate optional suffix letter for identification
- Sequential controller for pilot solenoid valves
- Pilot boxes containing 2 to 12 pilot solenoid valves
- Pilot solenoid valves can be equipped with explosionproof solenoids for hazardous locations according to "ATEX" and national standards

INSTALLATION

- The valves can be mounted in any position without affecting operation (if ⁽¹⁾ + ⁽²⁾ catalogue number)
- Threaded pipe connection is: G = G (ISO 228/1) or compression fittings
- When connecting piping or tubing to the G1/8 or G1/4 connection in the valve bonnet, the remote ASCO pilot valve should be mounted as close as possible to the main pulse valve. Connection tubing lengths of 3 meter or less have little effect on the pulse response. Installations with over 3 meter of tubing must be tested under actual operating conditions. Tubing with Ø 6 or Ø 8 mm O.D. is recommended for all installations
- For compression fitting types tightness is achieved by the compressed gasket on the blow tube
- Other pipe threads are available on request
- Installation/maintenance instructions are included with each valve

SPARE PARTS KITS

catalogue number	Spare parts kit no.
	~/=
G353A046/063 (GD)	C113826
G353A048/049 (GD)	C113684

DIMENSIONS (mm), WEIGHT (kg)

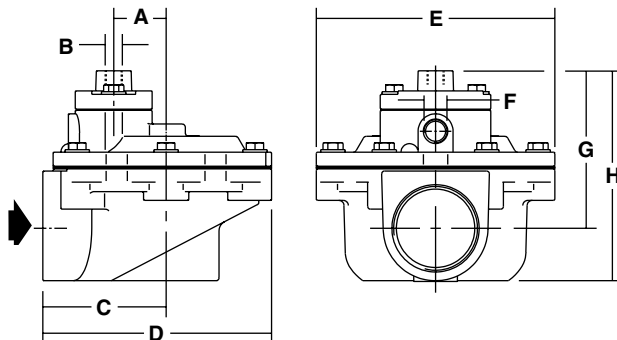


Fig.1 Threaded type

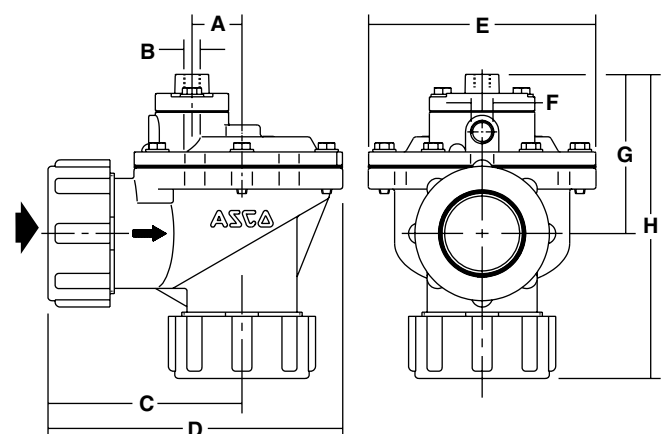


Fig.2 Compression fitting type

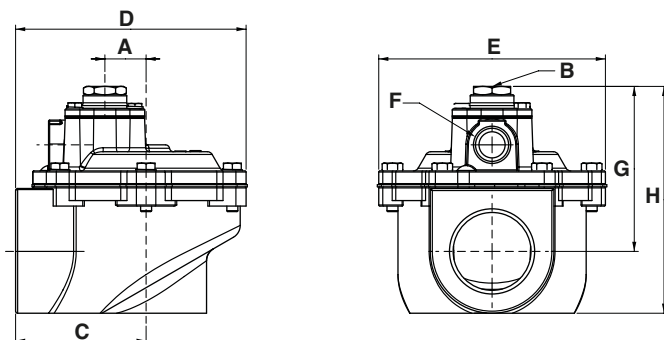


Fig. 3 Threaded type

catalogue number	A	B	C	D	E	F	G	H	weight	(C)
G353A046 (GD)	30	G 1/8"	71	130	136	G 3/8"	90	120	1,10	Abb.1
G353A048 (GD)	30	G 1/4"	95	168	165	G 3/4"	121	166	2,60	Abb.3
G353A049 (GD)	30	G 1/4"	95	168	165	G 3/4"	121	166	2,30	Abb.3
G353A063 (GD)	30	G 1/8"	87	177	136	G 3/8"	96	183	1,43	Abb.2

(C) construction type

All leaflets are available on: www.asco.com