

Data sheet

Butterfly valves with gear box VFY-WG, VFY-LG

Description



Features:

- Spline driven one piece shaft connected to spherically machined disc allows high torque transmission i.e. quick response and minimum back-lash
- Long term reliability due to upper and lower anti-friction bearings
- Safe maintenance: shaft blow out protection with circlip
- Position indicator

Main Data:

- DN 50-350
- k_{vs} 79-8520 m³/h
- PN 16
- EPDM Liner
- Stainless steel or Epoxy coated disc
- Medium:
 - Circulation water, drinking water or chilled glycolic water up to 50 %
- Medium Temperature:
 - 10 ... 120 °C (PA disc)
 - 10 ... 130 °C (SS disc)
- Wafer or Lug connection
- Approvals:

Ordering

Wafer type VFY-WG

	DN	k_{vs} (m ³ /h)	PN	T_{max} (°C)	Disc	Code No.
	50	79	16	130	Stainless Steel	065B7440
65	174	065B7441				
80	275	065B7442				
100	496	065B7443				
125	883	065B7444				
150	1212	065B7445				
200	2500	065B7446				
250	3948	065B7457				
300	5635	065B7458				
350	8520	065B7449				
50	79	16	120	Epoxy Coating	065B8420	
65	174				065B8421	
80	275				065B8422	
100	496				065B8423	
125	883				065B8424	
150	1212				065B8425	
200	2500				065B8426	
250	3948				065B8427	
300	5635				065B8428	
350	8520				065B8429	

Ordering

Lug type **VFY-LG**

	DN	k_{vs} (m ³ /h)	PN	T_{max} (°C)	Disc	Code No.
		50	79	16	-10 ... 130	Stainless Steel
65		174	065B7461			
80		275	065B7462			
100		496	065B7463			
125		883	065B7464			
150		1212	065B7465			
200		2500	065B7406			
250		3948	065B7407			
300		5635	065B7408			
350		8520	065B7469			
50		79	16	120	Epoxy Coating	065B8430
65		174				065B8431
80		275				065B8432
100		496				065B8433
125		883				065B8434
150		1212				065B8435
200		2500				065B8436
250		3948				065B8437
300		5635				065B8438
350		8520				065B8439

Spare parts

Replacement Liner **VFY-W Liner**

DN	PN	Liner	Code No.
50	16	EPDM	065B7582
65			065B7583
80			065B7584
100			065B7585
125			065B7578
150			065B7579
200			065B7592
250			065B7593
300			065B7594
350			065B7591

Replacement gearbox **VFY-Gearbox**

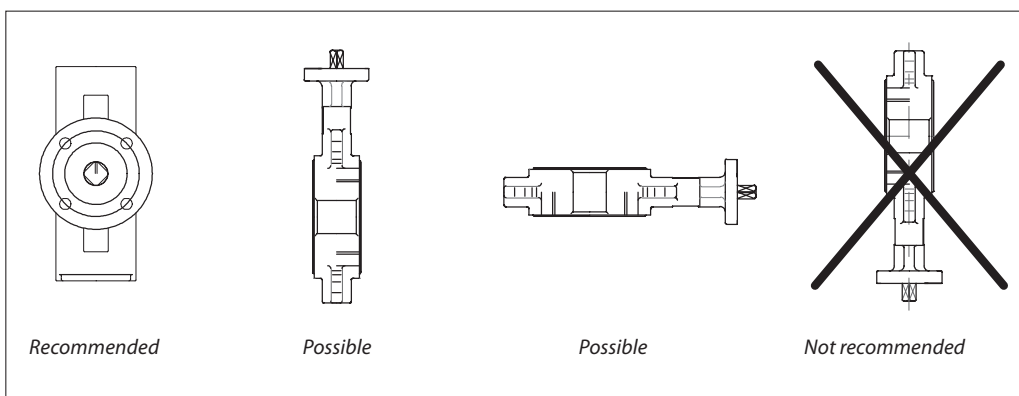
for DN	Code No.
50/65/80/100	065B7595
125/150/200	065B7596
250	065B7598
300	065B7599
350	065B7600

Technical data

Type		VFY-WG	VFY-LG
Nominal diameter	DN	50-350	
k _{vs} value	m ³ /h	79-8520	
Rotation angle		90°	
Leakage rate		Acc. to PED 2014/68/EU, EN 12266-1, Rate A ¹⁾	
Nominal pressure	PN	16	
Medium		Circulation water, Glycolyc water up to 50 % or drinking water	
Medium temperature	PA disc	°C	-10 ... 120 (see p-T diagram)
	SS disc		-10 ... 130 (see p-T diagram)
Connection		Wafer (centering lugs)	Lug (Tapped lugs)
Mounting		mounting between flanges	mounting deadline
Material			
Body		Cast iron EN GJL 250 (DIN GG25) DN 50-300 Ductile iron (DIN GGG40) DN 350	Cast iron EN GJL 250 (DIN GG25) DN 50-150 Ductile iron (DIN GGG40) DN 200-350
Disc		Ductile iron EN GJS 400-15 (DIN GGG 40) with Epoxy coating or Stainless Steel	
Shaft		Stainless steel AISI 420	
Liner		EPDM	
Circlip		Steel XC 75 / Stainless steel	
O-ring		Nitrile/Viton	
Upper guide bush		Zinc coated S. + PTFE	
Lower guide bush		Zinc coated S. + PTFE	
Gear box		Aluminium	

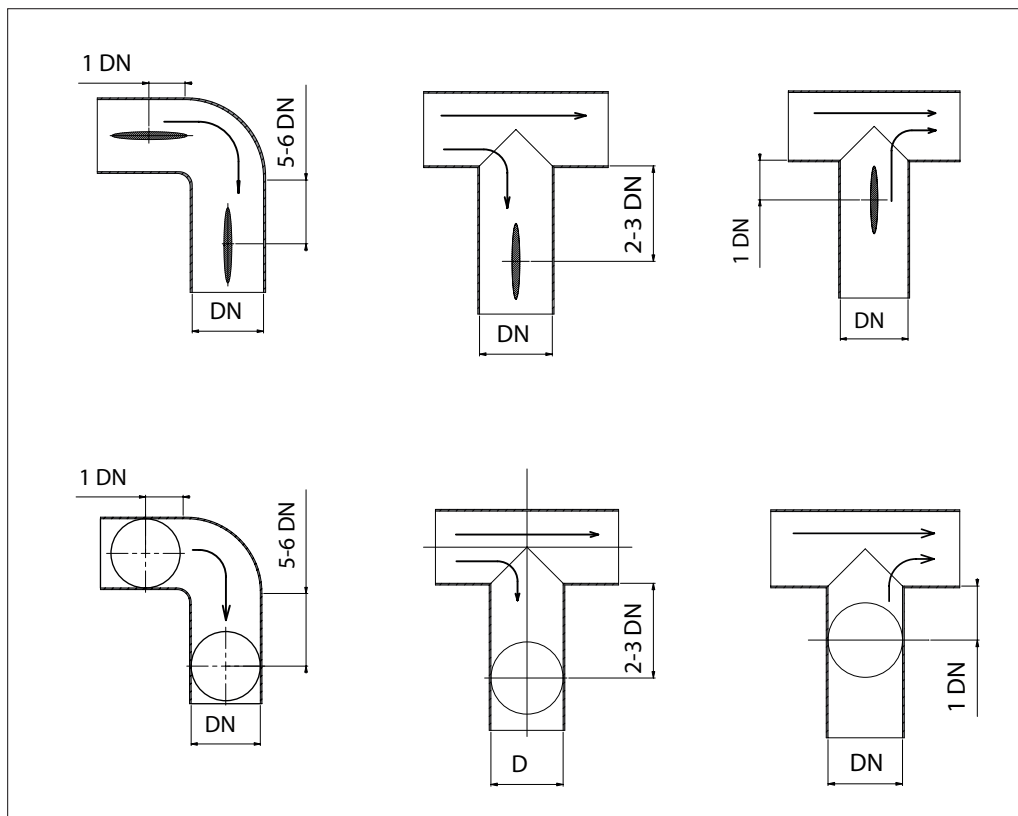
¹⁾ No visible detectable leakage during the testing procedure

Installation positions

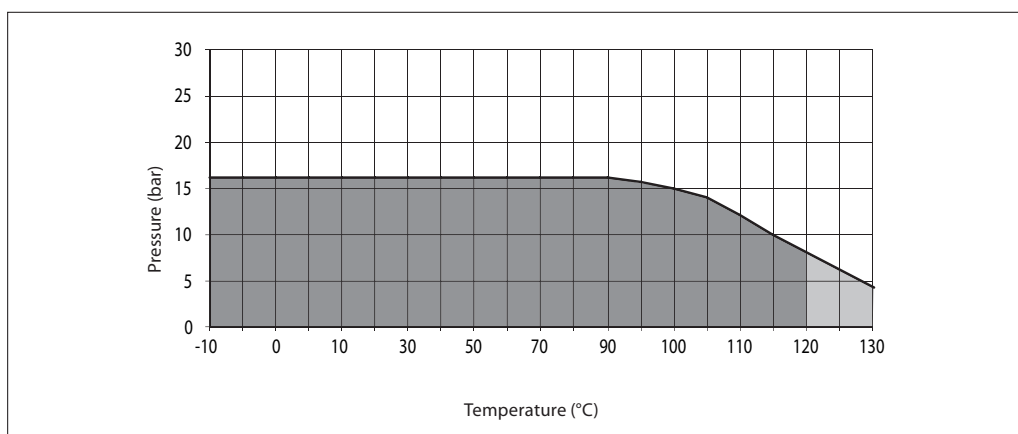


Installation conditions

It is recommended that distances indicated below are respected in order to prolong lifetime of the valve. Mounting the valve close to pipework junctions (turbulent zones) increases wear.

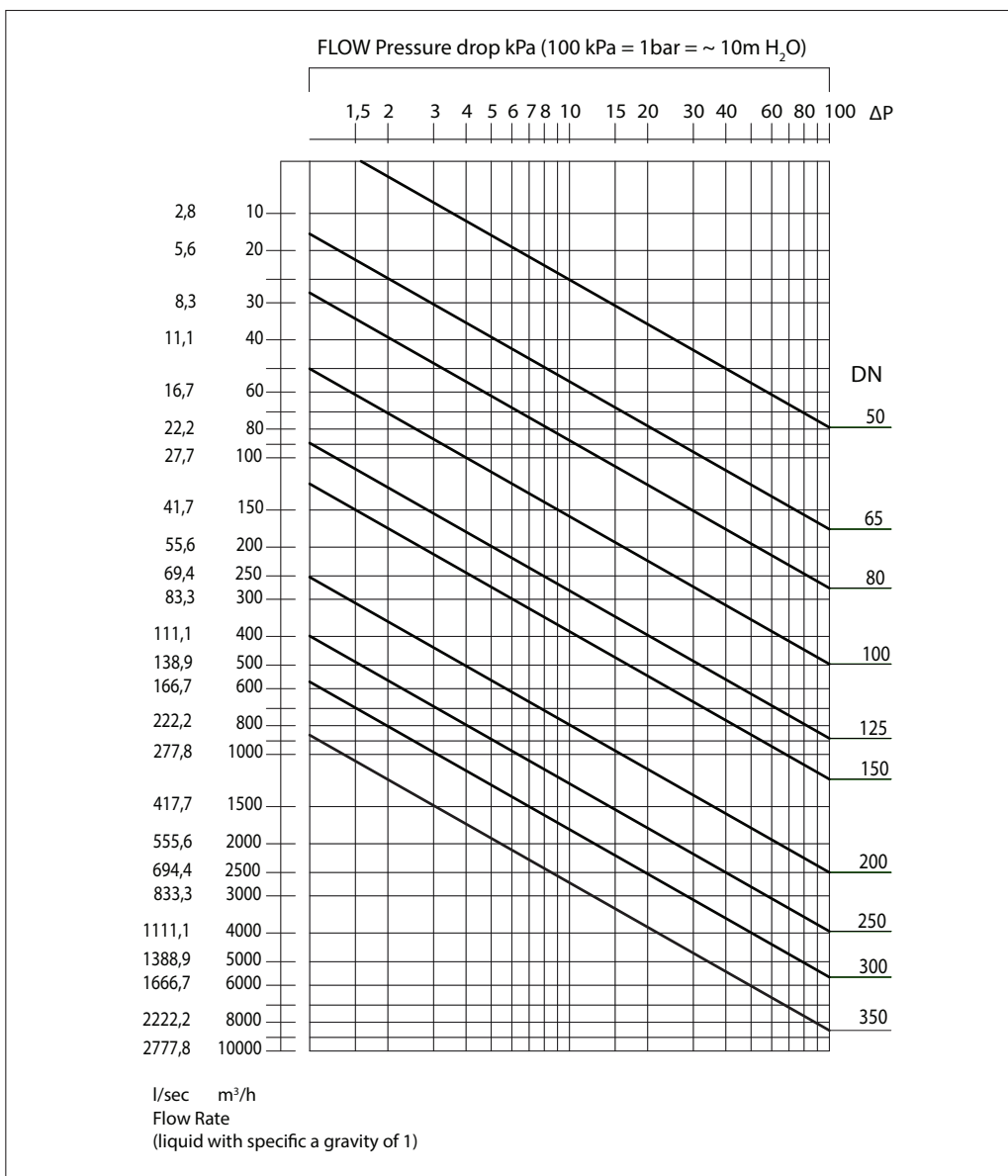


P-T diagram



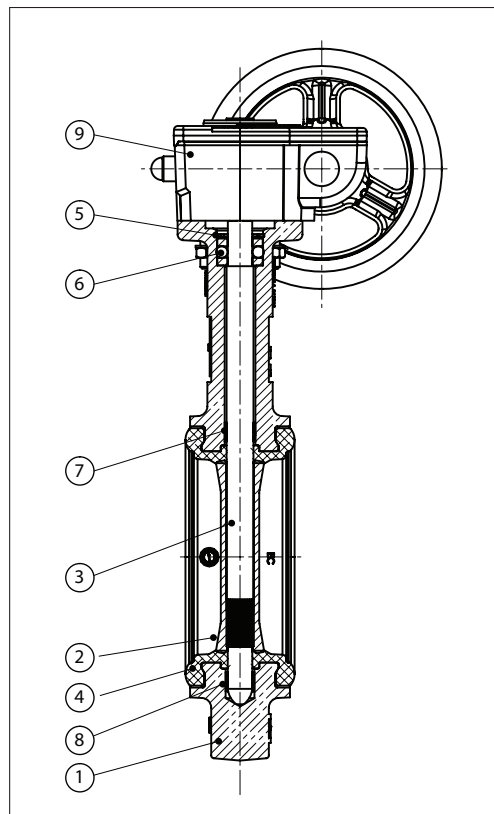
Headloss diagram

For water at 20 °C



Design

- 1. Body
- 2. Disc
- 3. Shaft
- 4. Liner
- 5. Circlip
- 6. O-ring
- 7. Upper guide bush
- 8. Lower guide bush
- 9. Gear box



Dimensions

Waffer type **VFY-WG**

DN	A	B	C	D	ØE	Weight (kg)
	mm					
50	62	225,5	120	43	125	3,6
65	70	234,5	120	46	125	4
80	89	240,5	120	46	125	4,3
100	106	264,5	120	52	125	6,3
125	120	279,5	120	56	125	7,4
150	131	292,5	120	56	125	8,5
200	166	315	120	60	125	12,3
250	196	429	239	70	250	25,2
300	238	453	239	77	250	28,9
350	270	468	239	78	250	41,4

Lug type **VFY-LG**

DN	A	B	C	D	ØE	Weight (kg)
	mm					
50	62	225,5	120	43	125	4
65	70	234,5	120	46	125	4,5

Lug type **VFY-LG**

DN	A	B	C	D	ØE	Weight (kg)
	mm					
80	89	240,5	120	46	125	5,4
100	103	264,5	120	52	125	7,9
125	119	279,5	120	56	125	9,9
150	133	292,5	120	56	125	11,9

Lug type **VFY-LG**

DN	A	B	C	D	ØE	Weight (kg)
	mm					
200	162	315	120	60	125	17
250	198	429	239	68	250	30,8
300	227	453	239	77	250	38,3
350	248	468	239	78	250	49,7



Danfoss A/S

Heating Segment • heating.danfoss.com • +45 7488 2222 • E-Mail: heating@danfoss.com

Danfoss can accept no responsibility for possible errors in catalogues, brochures and other printed material. Danfoss reserves the right to alter its products without notice. This also applies to products already on order provided that such alterations can be made without subsequential changes being necessary in specifications already agreed. All trademarks in this material are property of the respective companies. Danfoss and all Danfoss logotypes are trademarks of Danfoss A/S. All rights reserved.