

Valve manifold for differential pressure gauges Model 910.25

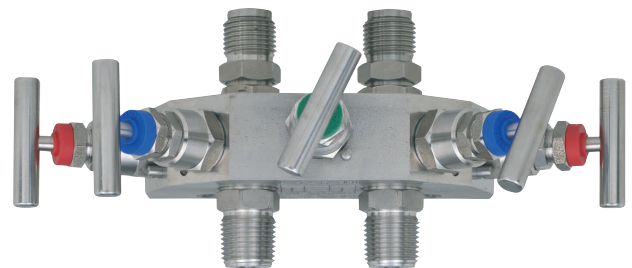
WIKA data sheet AC 09.11

Applications

- Shut-off, pressure equalising, purge and vent valves for differential pressure gauges, for measurement of liquids, gases and vapours
- In stainless steel version for aggressive media, also in aggressive environments
- Process industry: Machine building, general plant construction, chemical/petrochemical, power plants, mining, on- and offshore and environmental technology

Special features

- One-way, three-way, four-way and five-way valves
- Robust brass or stainless steel versions
- Valves for PN 100 and 400 with double-sided cone seals
- Wide variety of process connections
- Nominal pressures to 40, 100 or 400 bar

**Five-way valve, PN 400**

Description

One-way valves

With model 910.25 valve manifolds single-sided overpressure loading during start-up and operation phases can be avoided by means of a pressure compensation of the ⊕ and ⊖ side. In addition, zero adjustments are possible during the running process.

Three-way valves

Three-way valves include additional valves, which enable a shut-off of the process lines during operation. This simplifies the dismantling, testing and shutdown of the measuring instrument, and it also protects from impermissible overpressure loading. Furthermore, the measurement of static pressure is possible (after dismantling the measuring instrument).

Four and five-way valves

Furthermore, these valve manifolds, with integrated shut-off, purge and vent valves, enable the pressure gauge to be vented on one or both sides and the supply line to be purged.

Standard design PN 100 - stainless steel (One-way, three-way and five-way valves)

For models 732.51 and 891.34.1998 and also 736.51 and 736.11 differential pressure gauges
 Centre distance: 37 mm
 Nominal pressure PN: 100 bar
 Nominal width DN: 3.5 mm
 Permissible temperatures: -20 ... +250 °C

Wetted parts

Body, connection to measuring instrument and process connection: stainless steel
 Valve element: stainless steel
 Spindle with rotating double cone: stainless steel
 Gland packing: PTFE

Valve element (replaceable)

Through a double-sided sealing cone, with the valve fully-opened, the spindle area is isolated from the process by a metallic seal, the gland packing is not loaded and thus the spindle thread is not in contact with the process media.

T-handle

Stainless steel, Ø 10 x 44 mm

Connection to measuring instrument

For models 732.51 and 891.34.1998: 2 x G ¼ B male nut
 For models 736.51 and 736.11: 2 x G ½ union nut

Process connection

2 x G ½ B, ½ NPT or M20 x 1.5 male threads

Installation

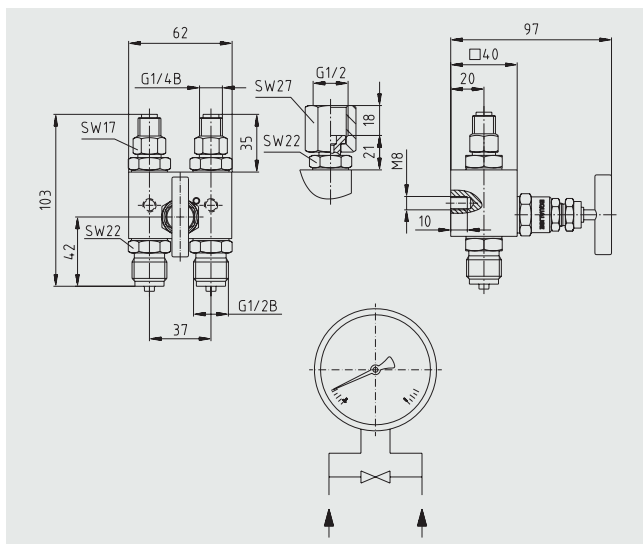
2 x M8 blind bore

Options

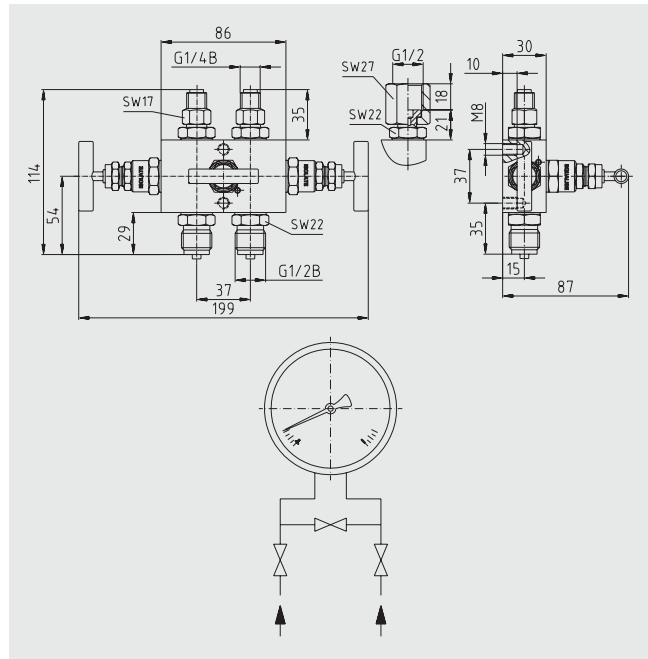
- Free from oil and grease for oxygen
- Other process connections
- Designs in Monel®

Dimensions in mm

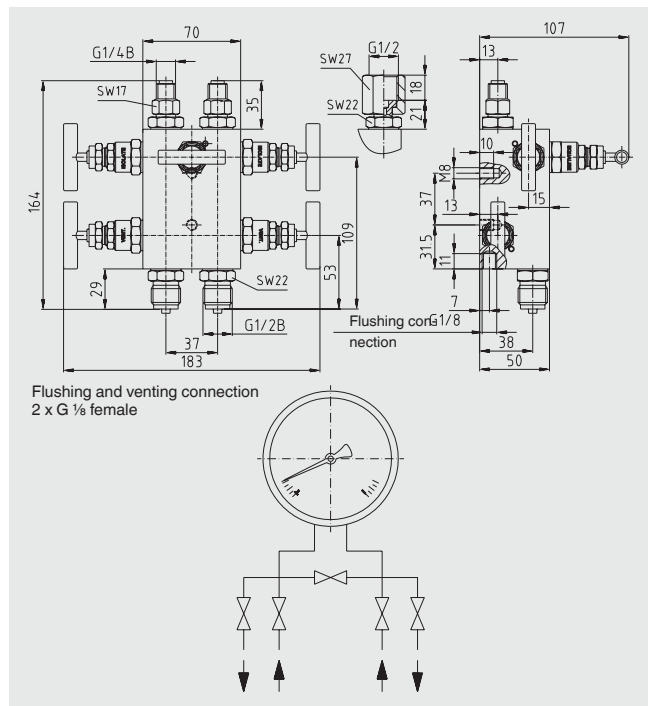
PN 100 one-way valve



PN 100 three-way valve



PN 100 five-way valve



Order no. (valves for model 732.51 and 891.34.1998)

Process connection	One-way valve	Three-way valve	Five-way valve
G ½ B	2020346	2011631	2020389
½ NPT	2020354	2011712	2020397

Order no. (valves for model 736.51 and 736.11)

Process connection	One-way valve	Three-way valve
G ½ B	2020320	on request
½ NPT	2020338	on request

OBSOLETE

**Standard design PN 400 - stainless steel
(One-way, three-way and five-way valves)**

For models 732.14 and 891.34.1884 differential pressure gauges

Centre distance: 54 mm
 Nominal pressure PN: 400 bar
 Nominal width DN: 3.5 mm
 Permissible temperatures: -20 ... +250 °C

Wetted parts

Body, connection to measuring instrument and process connection: stainless steel
 Valve element: stainless steel
 Spindle with rotating double cone: stainless steel
 Gland packing: PTFE

Valve element (replaceable)

Through a double-sided sealing cone, with the valve fully opened, the spindle area is isolated from the process by a metallic seal, the gland packing is not loaded and thus the spindle thread is not in contact with the process media.

T-handle

Stainless steel, Ø 10 x 44 mm

Connection to measuring instrument

2 x G ½ B male nut

Process connection

2 x G ½ B or ½ NPT male threads

Installation

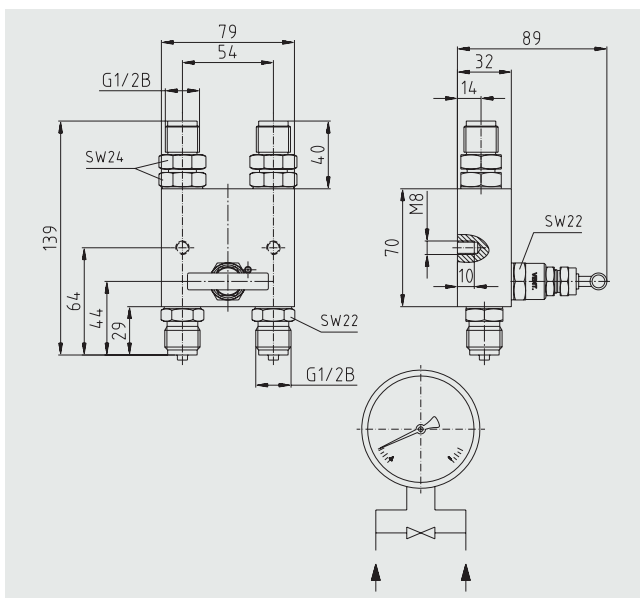
2 x M8 blind bore

Options

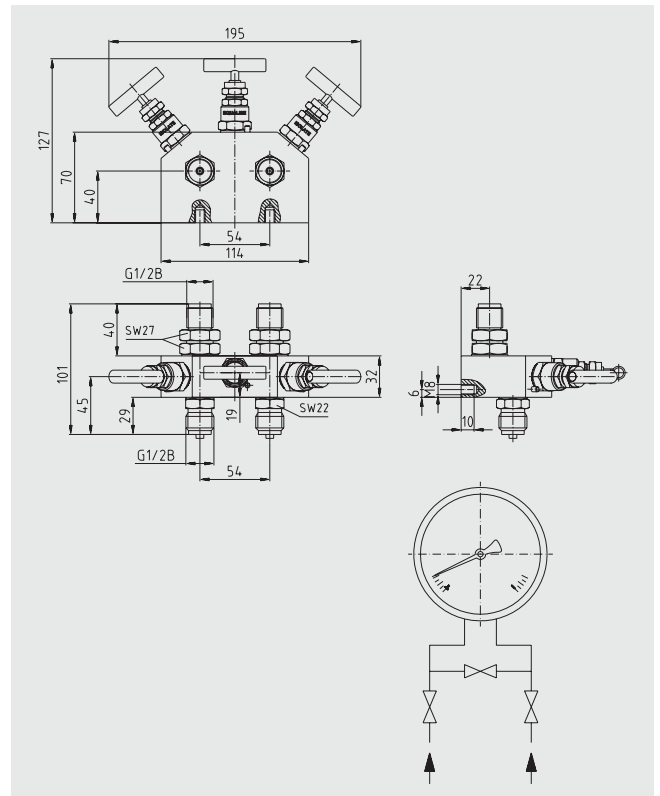
- Free from oil and grease for oxygen (max. PN 100)
- Other process connections
- Designs in Monel®

Dimensions in mm

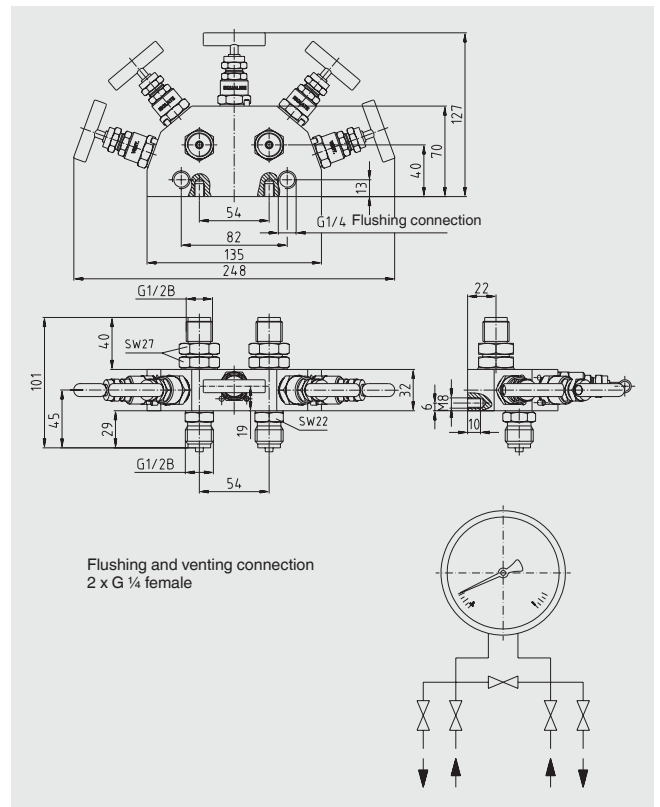
One-way valve PN 400



PN 400 three-way valve



PN 400 five-way valve



Order no. (valves for model 732.14 and 891.34.1884)

Process connection	One-way valve	Three-way valve	Five-way valve
G ½ B	2049965	2020427	2020486
½ NPT	2049974	2020444	2020494

OBSOLETE

Standard version PN 25

(Four-way valve)

For models DPG40, DPS40, DPGS40, DPGS40TA and DPGT40 differential pressure gauges

Centre distance: 30 mm (process side)
Nominal pressure PN: 25 bar
Nominal width DN: 3.5 mm
Permissible temperatures: -10 ... +150 °C

Connection to measuring instrument

2 x tube adapters, Ø 6 mm

Process connection

2 x G 1/4 female

Copper alloy design

Wetted parts

Body, connection to measuring instrument and process connection: copper alloy
Valve element (replaceable): copper alloy
Spindle with rigid single cone (spindle threads not wetted): copper alloy
Gland packing: PTFE, FPM/FKM

Knurled screw

Copper alloy

Stainless steel version

Wetted parts

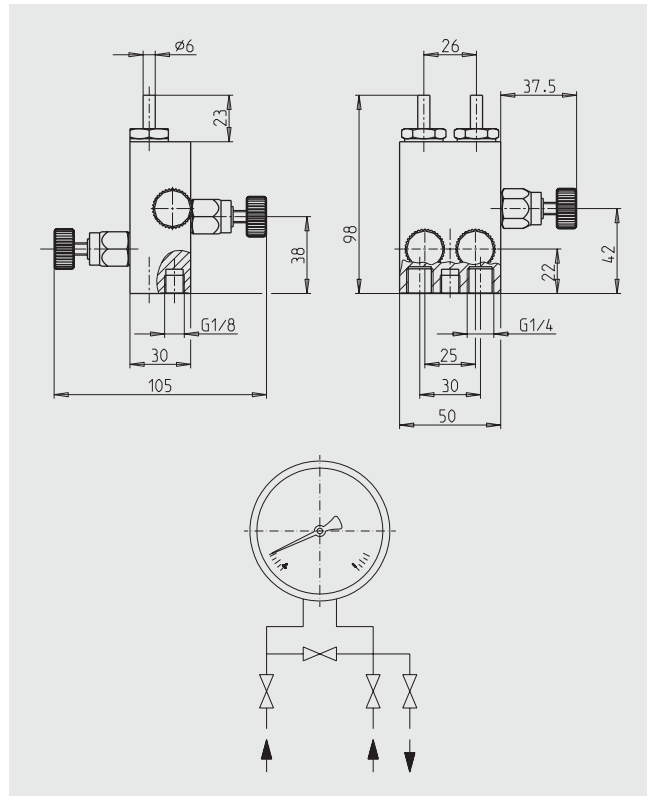
Body, connection to measuring instrument and process connection: stainless steel
Valve element (replaceable): stainless steel
Spindle with rigid single cone (spindle threads not wetted): stainless steel
Gland packing: PTFE, FPM/FKM

Knurled screw

Stainless steel

Dimensions in mm

Four-way valve PN 25



Order number

Material	Four-way valve
Copper alloy	2043567
Stainless steel	2043559

Ordering information

To order, the order number is sufficient. Other options require additional specification.

© 2004 WIKA Alexander Wiegand SE & Co. KG, all rights reserved.
The specifications given in this document represent the state of engineering at the time of publishing.
We reserve the right to make modifications to the specifications and materials.



WIKAL
WIKAL Alexander Wiegand SE & Co. KG
Alexander-Wiegand-Straße 30
63911 Klingenberg/Germany
Tel. +49 9372 132-0
Fax +49 9372 132-406
info@wika.de
www.wika.de