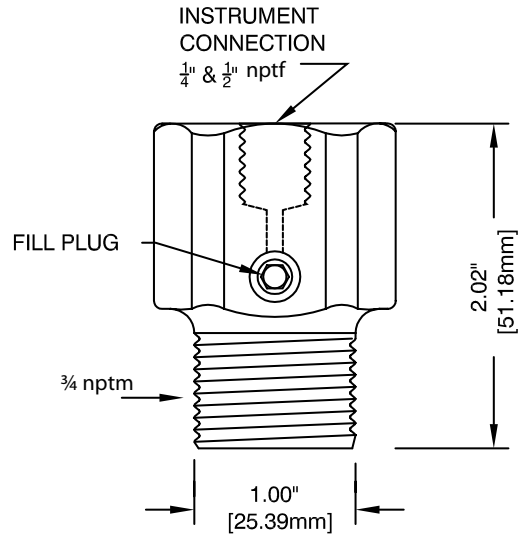
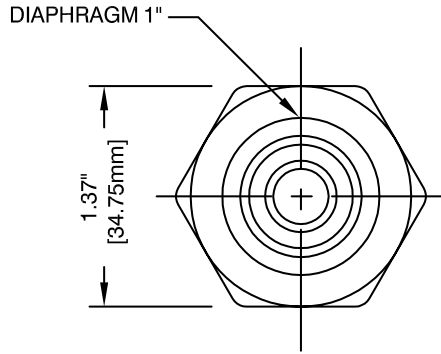


IN LINE DIAPHRAGM SEAL MODEL DF150

Illustrated model: DF150



Specifications

| | |
|------------------------|---|
| Housing: | 1 piece 316 stainless steel |
| Diaphragm: | Welded 316 stainless steel |
| Operating pressure: | 600 to 6,000 psi or equivalence |
| Process connection: | $\frac{3}{4}$ in nptm, other sizes available upon request |
| Instrument connection: | $\frac{1}{4}$ in nptf |
| Compliance: | Diaphragm seal standard ASME B40.2 |

Applications

A diaphragm seal is used to protect the instrument from clogging or solidification caused by corrosive or viscous process media that can damage the internals of the instrument.

| Instrument connection | Process connection | Product code |
|-----------------------|-----------------------|--------------|
| $\frac{1}{4}$ in nptf | $\frac{3}{4}$ in nptm | DF150-03 |

Always indicate the type of assembly / filling desired. See page D2 for the right code.