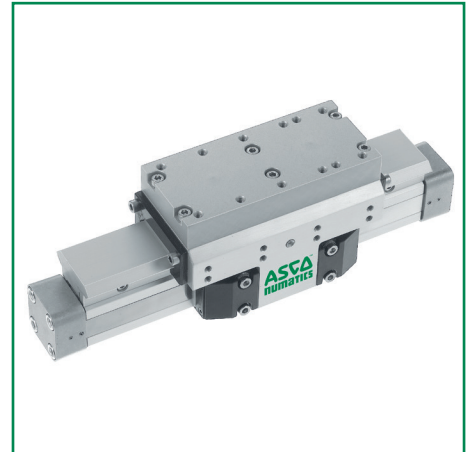


## APPLICATION PRINCIPLE

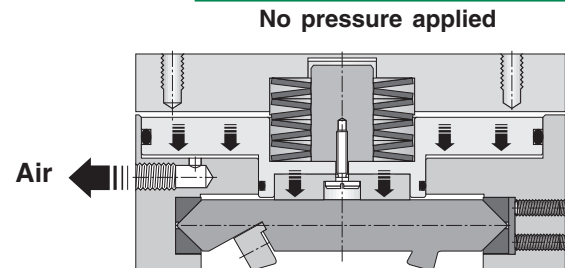
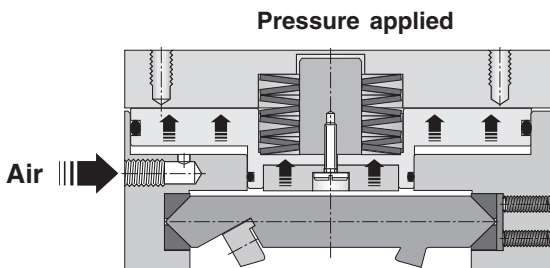
The brake is designed to stop the loaded cylinder carrier and hold it in the end-of-stroke position in case of power or pressure failure. The brake is a mechanical device that acts on the carrier's guide rail. It is released by pressurisation.

## Advantages

- Stops and holds carrier in the end-of-stroke position.
- Intermediate stops possible.
- **Blocks in case of pressure loss.**
- Two-directional action.
- Any mounting position.



## OPERATING PRINCIPLE



## SPECIFICATIONS

**CYLINDER:** [see preceding pages](#)

## PASSIVE BRAKE

FLUID : air or neutral gas, unlubricated  
RELEASE PRESSURE : > 4,5 bar  
ALLOWABLE PRESSURE : 8 bar max.  
AMBIENT TEMPERATURE : -10°C to +80°C  
MOUNTING POSITION : any

**Loads, moments and forces** :

Ø Cylinder (mm)	Bending moments (in N.m)			Load (in N)	Holding force (in N)
	M	M <sub>s</sub>	M <sub>v</sub>	L	
25	34	14	34	675	<b>470</b>
32	60	29	60	925	<b>790</b>
40	110	50	110	1500	<b>1200</b>
50	180	77	180	2000	<b>1870</b>
63	260	120	260	2500	<b>2900</b>
80	260	120	260	2500	<b>2900</b>

**MECHANICAL CHARACTERISTICS:** [see preceding pages](#)

## CHOICE OF EQUIPMENT

Ø Cylinder (mm)	CYLINDER EQUIPPED FOR DETECTOR		Max. allowable stroke (mm)	Pipe size	Cushioning length (mm)
	CODE <sup>(2)</sup>	REFERENCE			
25	<b>44850024</b> <sup>(1)</sup>	STB 25 A - 0 <sup>(3)</sup> - PB - <sup>(1)</sup> - DM	5500	G 1/8	17
32	<b>44850025</b> <sup>(1)</sup>	STB 32 A - 0 <sup>(3)</sup> - PB - <sup>(1)</sup> - DM	5500	G 1/4	20
40	<b>44850026</b> <sup>(1)</sup>	STB 40 A - 0 <sup>(3)</sup> - PB - <sup>(1)</sup> - DM	5500	G 1/4	27
50	<b>44850027</b> <sup>(1)</sup>	STB 50 A - 0 <sup>(3)</sup> - PB - <sup>(1)</sup> - DM	5500	G 1/4	30
63	<b>44850028</b> <sup>(1)</sup>	STB 63 A - 0 <sup>(3)</sup> - PB - <sup>(1)</sup> - DM	5500	G 3/8	32
80	<b>44850029</b> <sup>(1)</sup>	STB 80 A - 0 <sup>(3)</sup> - PB - <sup>(1)</sup> - DM	5500	G 1/2	39

For other strokes, contact us.

(1) Specify stroke (in mm)

(2) Position detectors are to be ordered separately

(3) 1 for slow speed option

When ordering, please specify the code of the STB cylinder with passive brake, its stroke, reference and any accessories you may require.

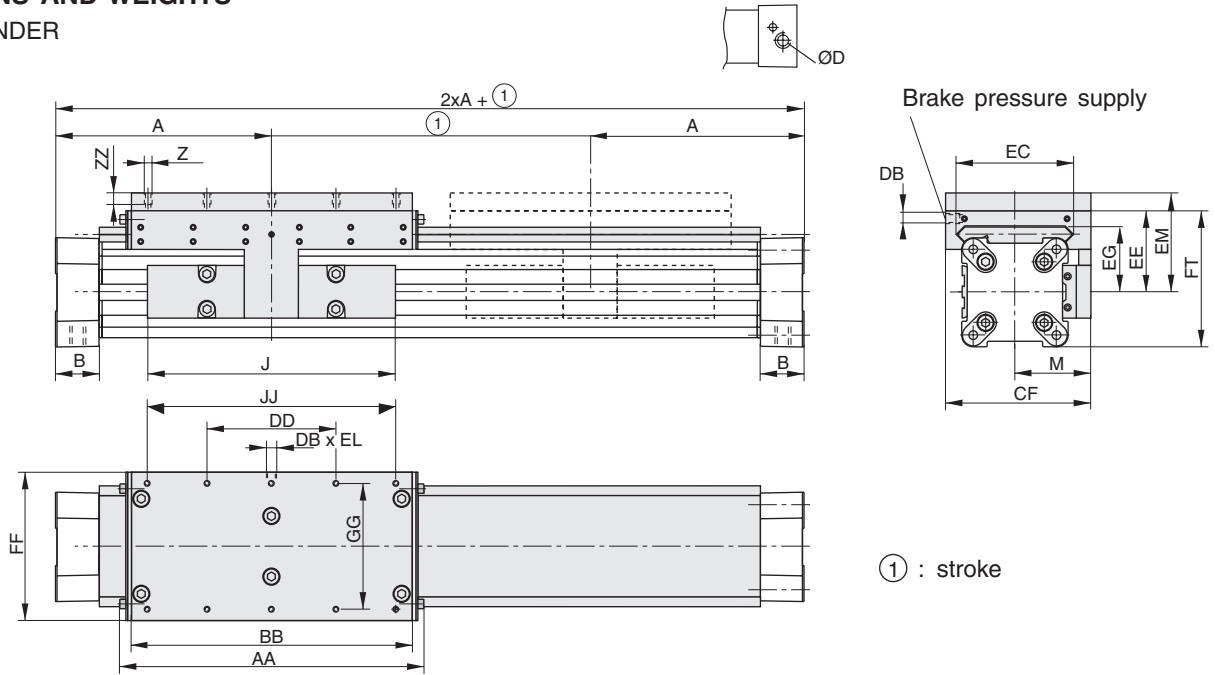
Example:

Cylinder Ø 25 mm, 200 mm stroke, with passive brake, without slow speed option: code **44850024200 - STB 25 A 0 PB 200 DM**



**DIMENSIONS AND WEIGHTS**

**BARE CYLINDER**

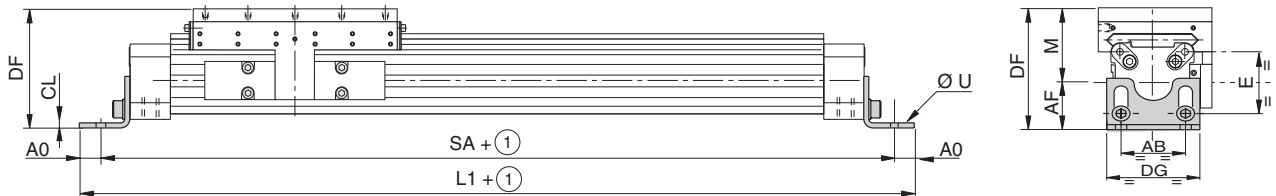


Bore (mm)	DIMENSIONS (mm)																				Cylinder weight (kg)		Carrier weight (kg)	
	A	B	D	J	M	Z	AA	BB	DB	DD	CF	EC	EE	EG	EL	EM	FF	FT	GG	JJ	ZZ	(1)		(2)
25	100,4	22	G1/8	117	40,5	M6	162	142	M5	60	72,5	47	53	39	5	73	64	73,5	50	120	12	2,04	0,39	1,10
32	125,2	25,5	G1/4	152	49	M6	205	185	G1/8	80	91	67	62	48	10	82	84	88	64	160	12	3,82	0,65	1,79
40	150	28	G1/4	152	55	M6	240	220	G1/8	100	102	77	64,3	50	10	84,3	94	98,8	78	200	12	5,16	0,78	2,34
50	175	33	G1/4	200	62	M6	284	264	G1/8	120	117	94	75	56	12	95	110	118,5	90	240	12	8,29	0,97	3,63
63	215	38	G3/8	256	79	M8	312	292	G1/8	130	152	116	86	66	12	106	152	139	120	260	13	13,31	1,47	4,97
80	260	47	G1/2	348	96	M8	312	292	G1/8	130	168	116	99	79	12	119	152	165	120	260	13	17,36	1,81	4,97

(1) Weight with 0 mm stroke  
(2) Weight to be added per additional 100 mm length

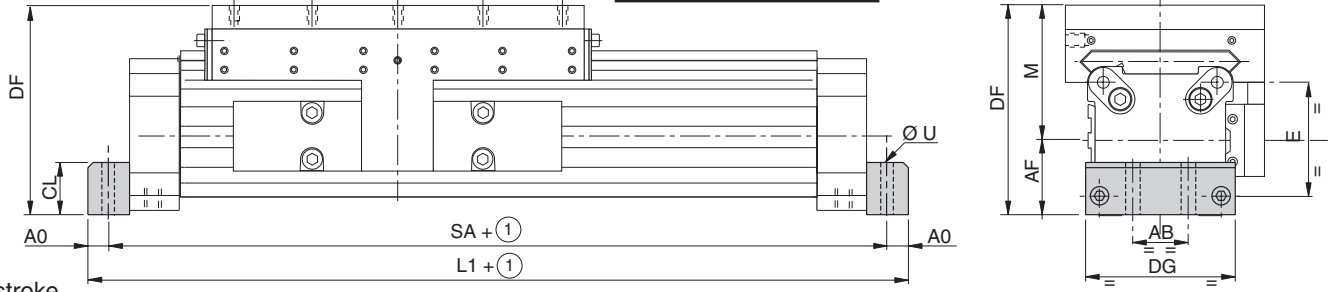
**CYLINDER WITH MOUNTING BRACKETS**

**Ø25 - 32 mm**



**CYLINDER WITH MOUNTING FLANGES**

**Ø40 - 80 mm**



① : stroke

Bore (mm)	AB		AF		A0	CL	DF		DG	E	L1	M	SA	U	Weights (kg)	
	min	max	min	max			min	max							Brackets	Flanges
25	27	22,7	32,3	9,5	2,5	95,7	105,3	39	27	250,8	73	231,8	6,6	0,072	-	
32	36	32,5	45,2	9,3	3	114,5	127,2	50	36	292,4	82	273,8	7	0,117	-	
40	30	35,2	11,3	24	119,5	68	54	348	84,3	325,4	9	-	0,210	-		
50	31,8	46	16,2	30	141	86	70	398	95	365,6	10	-	0,308	-		
63	48	60,7	15	40	166,7	104	78	490	106	460	11	-	0,674	-		
80	60	72	17,5	50	191	130	96	590	119	555	14	-	1,218	-		

00355GB-2017/R01 Availability, design and specifications are subject to change without notice. All rights reserved.