



ULTRA SLIMPAK® II

WV905

DIN Rail Mount Power Supply

24VDC @ 0.5A

The perfect power source for Ultra SlimPak II
Signal Conditioners and Alarms



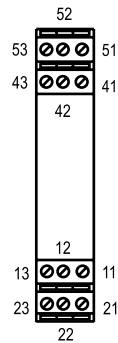
- Compact Size
- Auto-ranging Input
- Thermal Shutdown
- Bussed Power with Plug-in Power Clips

- RoHS Compliant
- Removable Terminals for Easy Service
- Overcurrent Shutdown with Automatic Restart
- UL, CSA & CE

Description

The WV905 power supply can be used to operate most 24VDC instruments, including Action's Ultra SlimPak II, Ultra SlimPak, and ActionI/Q models. The WV905 will operate on input voltages ranging from 85 to 265VAC or 120 to 300VDC. The 24VDC, 0.5A output has overcurrent shutdown with automatic restart and thermal shutdown. The input is protected by fuse, a thermistor for inrush current protection, and a varistor for over voltage.

The WV905 is the perfect power source for Ultra SlimPak II signal conditioners and alarm units. The integrated power jumping system makes short work of connecting power, eliminating the need to "daisy-chain" power wires.



Pin	Description
11	DC Power (+)
12	DC Power (+)
13	DC Power (+)
21	DC Power (-)
22	DC Power (-)
23	DC Power (-)
41	Line In (115-230VAC)
42	Earth Ground
43	Neutral
51	No Connection
52	No Connection
53	No Connection

Eurotherm®

by **Schneider** Electric

Specifications

Input Voltage:

Typical: 115 to 239VAC, $\pm 10\%$, 50/60Hz
Minimum: 85VAC, 120VDC
Maximum: 265VAC, 300VDC

Input Current:

(average values for reference only)
@115VAC: 250mA, $\pm 20\%$
@230VAC: 150mA, $\pm 20\%$
@125VDC: 125mA, $\pm 20\%$
@250VDC: 65mA, $\pm 20\%$

Output Voltage:

24VDC

Maximum Output Current:

0.5A

Input Protection:

Fuse: 2A slowblow (internal)
Inrush Current: Thermistor
Over Voltage: Varistor

Switching Frequency:

100kHz

Efficiency @ Maximum Load:

79%

Maximum Ripple:

0.1%

Load Regulation:

0.2% (10% to 100% Load)

Line Regulation:

0.2% (85VAC to 265VAC In)

Overload Protection:

Over current shutdown with automatic restart
plus thermal shutdown

Maximum Load Capacitance on Output:

5.000uF

Hold Time:

(full output current after loss of input)
@115VAC: 14ms
@230VAC: 70ms

Isolation:

Input to Output: 3kV
Input/Output to Rail: 4kV
Input to Ground: 1.5kV
Output to Ground: 500V

Wire Size:

26-12AWG (0.1 to 4.0mm²)

Operating Temperature:

-20°C to +50°C (-4°F to 122°F)

Storage Temperature:

-40°C to +85°C (-40°F to 185°F)

Operating Humidity:

20% to 85% RHNC @ 45°C

Storage Humidity:

20% to 90% RHNC @ 60°C for 24 hours

Size:

DIN rail case – refer to Dimensions drawing

Agency Approvals:

UL recognized per standard UL508
(File No.E99775)

CE Conformance per EMC directive 89/336/EEC and Low Voltage
73/23/EEC (Input < 75VDC, only).

RoHS Compliant

Note that detailed installation instructions are available on our website.

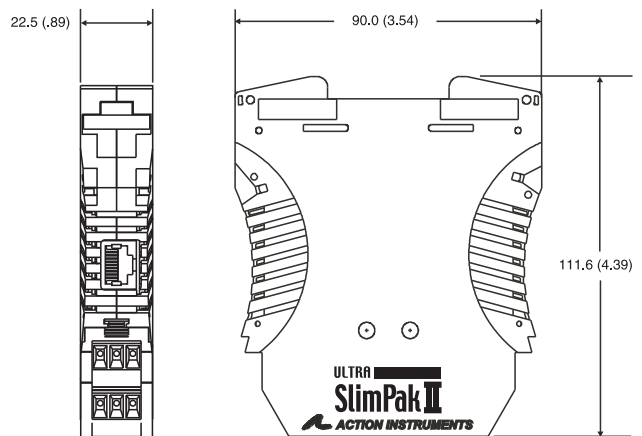
Ordering Information

Specify:

- Model:
WV905-0000

Dimensions

Dimensions are in millimeters (inches)



Eurotherm[®]

by **Schneider Electric**

Schneider Electric Systems USA, Inc.

44621 Guilford Drive, Suite 100

Ashburn, VA 20147

703-724-7300

info.eurotherm.us@schneider-electric.com



Printed on recycled paper

www.eurotherm.com

Factory Assistance

For additional information on calibration, operation and installation
contact our Technical Services Group:

703-724-7314

US.Support@schneider-electric.com

721-0846-00-E 02/09 Copyright© Eurotherm, Inc 2009