



SEQUENCERS FOR DUST COLLECTOR SYSTEMS

ΔP control via internal pressure sensor
for the control of up to 48 solenoid valves



Series
E909

FEATURES

- Electronic controller for the control of solenoid valves in dust collector systems
- Integral ΔP sensor for ON/OFF filter cleaning cycles
- Microprocessor management
- Standard supply voltage and output voltage selectable via jumper
- 5 programming keys
- Alphanumeric display, multilingual
- Adjustable pulse and interval times
- Automatic detection of number of valves
- Additional post-cleaning cycle mode
- High immunity from external interference
- Short-circuit protection of every single output
- 3 output relay (e.g. group alarm), 3 digital inputs (volt-free)



CONSTRUCTION

Housing ABS (acryl nitrile butadiene styrene), grey
Cover PC (polycarbonate), transparent

ELECTRICAL CHARACTERISTICS

Standard supply voltage AC (~) 230/115 V

Output voltage DC (=) 24 V

Other voltages on request.

max. load power per output (W)	ambient-temperature (°C)	electrical enclosure protection
25	-10 to 60	IP65

SPECIFICATIONS

number of solenoid valves ⁽¹⁾	adjustable pulse time	adjustable interval time	tube connection for ΔP sensor	size	catalogue number			
	sec.	sec.	Ø mm					
4	0,05 - 5,0	1 - 999	6/4	1	E909DC4MU7.1			
8					E909DC8MU7.1			
12					E909DC12MU7.1			
16					E909DC16MU7.1			
20				2	E909DC20MU7.2			
24					E909DC24MU7.2			
28					E909DC28MU7.2			
32				3	E909DC32MU7.2			
36					E909DC36MU4.2			
40					E909DC40MU4.2			
44					E909DC44MU4.2			
48								E909DC48MU4.2

⁽¹⁾ up to 192 valves on request.

OPTIONS (on request)

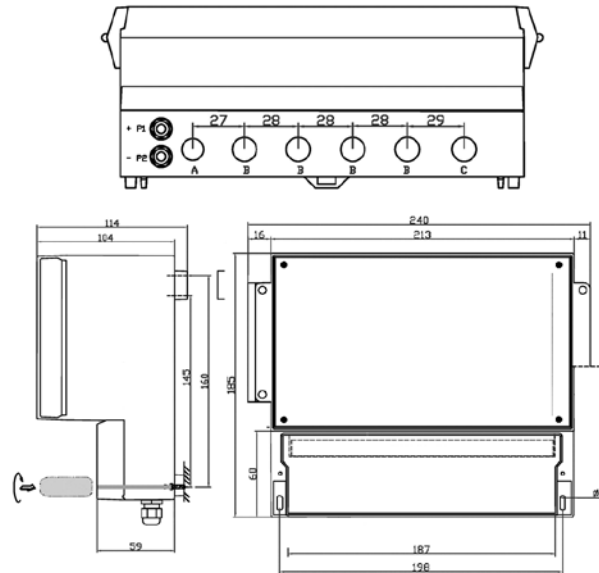
- Other voltage ratings, other housings and devices with ATEX approval

INSTALLATION

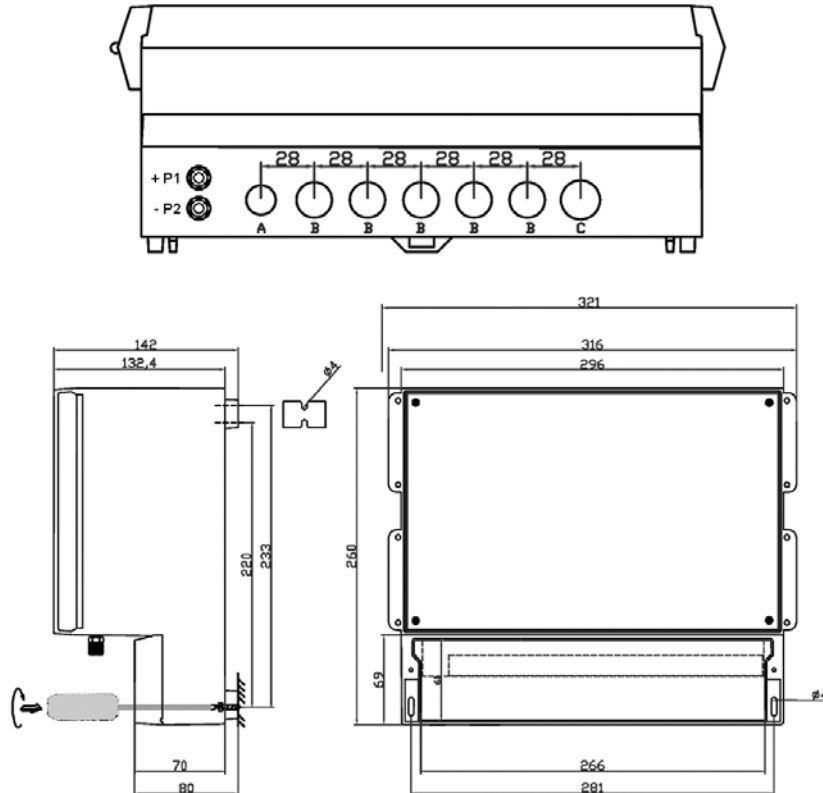
- Installation/maintenance instructions are included with each sequencer

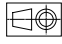
DIMENSIONS (mm), WEIGHTS

Size 1

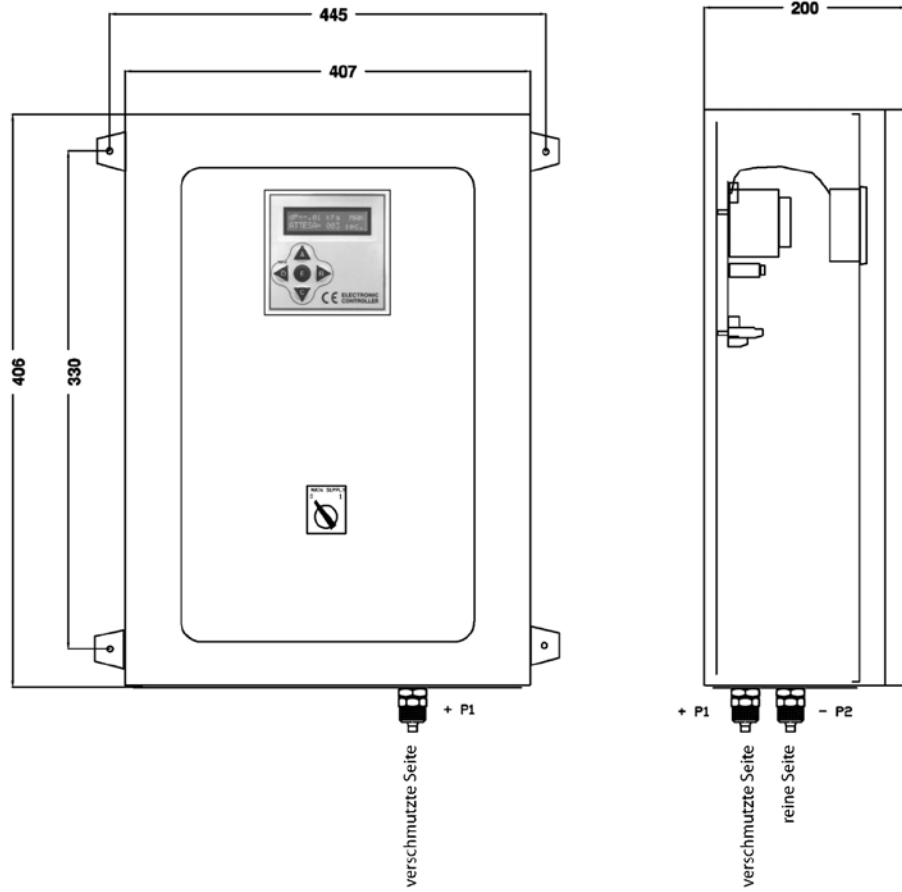


Size 2



DIMENSIONS (mm), WEIGHTS 

Size 3



WIRING DIAGRAM

