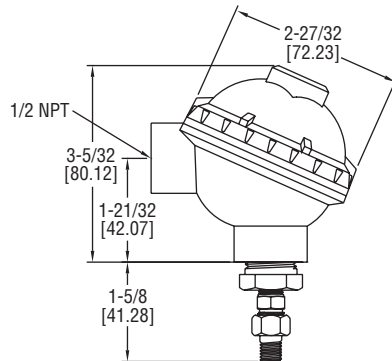
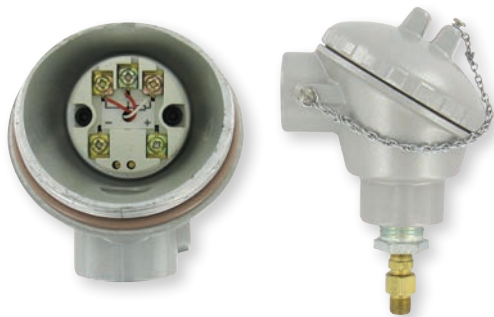




TEMPERATURE TRANSMITTER ENCLOSURE

Fits Series 651 and 659 Transmitters



The **MODEL A-709** Temperature Enclosure can be used to mount our Series 651 and 659 transmitters to any of our 1/4" diameter temperature sensors. The screw on enclosure core can be quickly removed and has a chain to prevent it from getting lost. The Model A-709 comes with the necessary adapters and fittings for attaching the temperature sensor.

SPECIFICATIONS

Service: Indoor or outdoor.

Temperature Limits: -40 to 212°F (-40 to 100°C).

Rating: NEMA 4X.

Materials: Aluminum housing.

MODEL CHART

Model	Description
A-709	Temperature transmitter enclosure