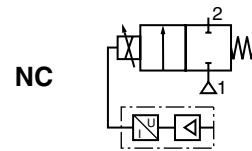




# PROPORTIONAL SOLENOID VALVE PRECIFLOW

direct operated, M5-1/8

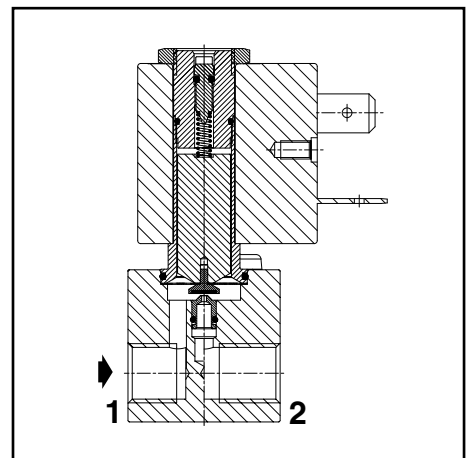
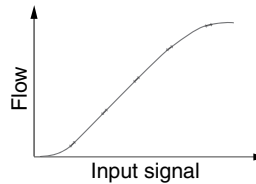
ISO 15218 (CNOMO size 15) interface, M5 subbase



**2/2**  
Series  
**202**

## FEATURES

- Proportional solenoid valve with very low hysteresis
- Variable flow, proportional to the control signal
- Valves do not require a minimum operating pressure
- Suitable for vacuum operation
- Solenoid valves satisfy all relevant EC directives



## GENERAL

**Differential pressure** See "Specifications" [1 bar = 100 kPa]  
**Pneumatic base (subbase mount)** ISO 15218 (CNOMO E06.36.120N, size 15)

fluids (*)	temperature range (TS)	seal materials (*)
air, inert gas <sup>(1)</sup>	0°C to + 50°C	FPM (fluoroelastomer)

<sup>(1)</sup> Filtration: M5 or pad mount version: 5 µm - 1/8 : 50 µm.

## MATERIALS IN CONTACT WITH FLUID

(\*) Ensure that the compatibility of the fluids in contact with the materials is verified

<b>Body</b>	Brass or PVDF (polyvinylidene fluoride)
<b>Core tube</b>	Brass
<b>Core and plugnut</b>	Stainless steel
<b>Springs</b>	Stainless steel
<b>Seat</b>	Stainless steel
<b>Seals</b>	FPM

## ELECTRICAL CHARACTERISTICS

<b>Coil insulation class</b>	F
<b>Connector</b>	Spade plug (cable Ø 4-6 mm, Ø 6-8 mm, Ø 6-10 mm)
<b>connector specification</b>	DIN 43650, 9,4 mm, industry standard B (type 01) DIN 43650, 11 mm, industry standard B (type 02) ISO 4400 / EN 175301-803, form A (type 03)
<b>Electrical safety</b>	IEC 335
<b>Electrical enclosure protection</b>	Moulded IP65 (EN 60529)
<b>Standard voltages</b>	DC (=) : 12V, 24V (other voltages on request)

prefix option	max. operating current (mA)		power ratings				operator ambient temperature ranges (TS) <sup>(2)</sup> (C°)	replacement coil		type <sup>(2)</sup>
	12 V	24 V	inrush ~ (VA)	holding ~ (VA)	hot/cold = (W)	= (W)		=	=	
SC	85	40	-	-	-	1	0 to + 50	-	-	01
	340	170	-	-	-	4		-	-	
	400	230	-	-	-	5	0 to + 50	43004151	43004158	02
	760	380	-	-	-	9	0 to + 50	-	-	03

**Voltage regulation** 0 - 12 V DC, 0 - 24 V DC  
12 V and 24 V DC pulse-width modulated (1000 Hz)

**Flow regulation characteristics** Hysteresis < 3%; repeatability 1%; sensitivity < 1%

## SPECIFICATIONS

pipe size	orifice size (mm)	flow coefficient Kv (m³/h) (l/min)		operating pressure differential (bar) min. max. (PS) air, inert gas (*)		power coil (W)	catalogue number			
							threaded body		ISO 15218 (CNOMO, size 15) interface	
							brass (=)	PVDF (=)	brass (=)	
<b>NC - Normally closed</b>										
M5 or pad mount	0,1	0,0003	0,005	-0,9	10	1	SCG202A500	-	SCS202A505	
	0,2	0,0012	0,02			1	-	SCG202A501	SCS202A506	
	0,4	0,0048	0,08			4	-	SCG202A502	SCS202A507	
	0,6	0,0096	0,16			4	-	SCG202A503	SCS202A508	
	0,8	0,018	0,3			4	-	SCG202A504	SCS202A509	
G 1/8	0,8	0,018	0,3	-0,9	10	5	SCG202A510	-	-	
	1,2	0,041	0,68			5	SCG202A511	-	-	
	1,6	0,071	1,18			5	SCG202A512	-	-	
	2,0	0,096	1,6			9	SCG202A513	-	-	

<sup>(2)</sup> Refer to the dimensional drawings on the following page.

### SUBBASES (for pad mount ISO 15218 versions)

port connections	type of subbase	description	catalogue number	
			aluminium	brass
<b>Single subbase, ISO 15218 (CNOMO E06.36.120N, size 15)</b>				
M5	single	with lateral M5 connections	<b>88263002</b>	<b>30300001</b>

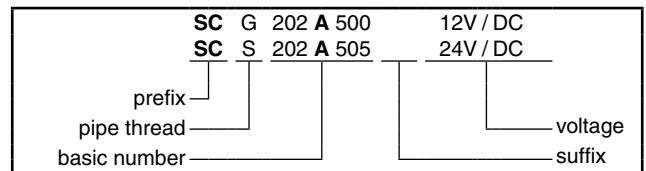
### OPTIONS

- Digital control module CONTROL<sup>D</sup> for DIN EN 50022 rail mounting: (see page 137)
  - Used as a current regulator in open loop applications
  - Used with an external sensor for closed-loop applications
- Proportional control electronics: catalogue number: **E908A001** or **E908A003** or **E908A004** according to type (see page "Electronic Proportional Control Unit", current adjustment from 0 to 1100 mA)
- Stainless steel version available on request
- Other coil currents on request
- Other pipe connections available on request
- Plug with visual indication and peak voltage suppression or with cable length of 2 m

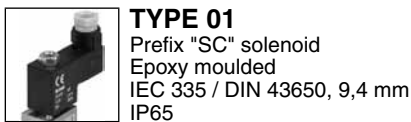
### INSTALLATION

- The valves can be mounted in any position without affecting operation
- Pipe connection identifier is: G = G (ISO 228/1)
- Installation/maintenance instructions are included with each solenoid valve

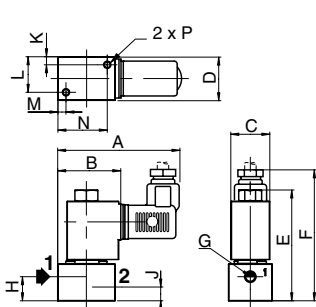
### ORDERING EXAMPLES:



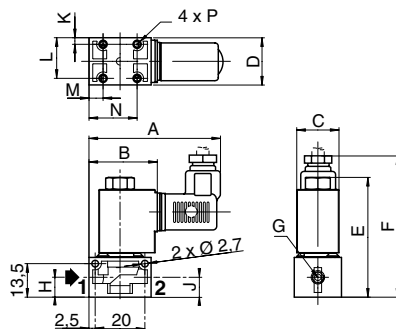
### DIMENSIONS (mm), WEIGHT (kg)



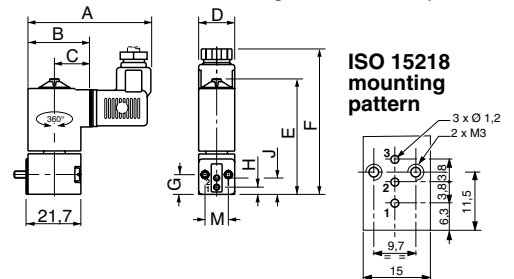
**SCG202A500**



**SCG202A501/A502/A503/A504**

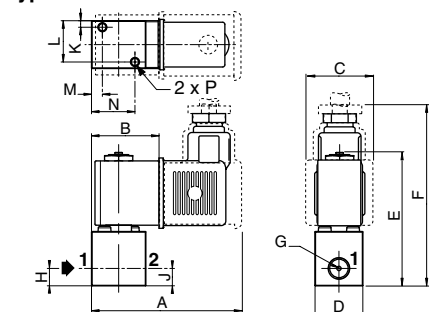


**SCS202A505/A506/A507/A508/A509**  
(Version with ISO 15218 interface for installation on single subbase M5)



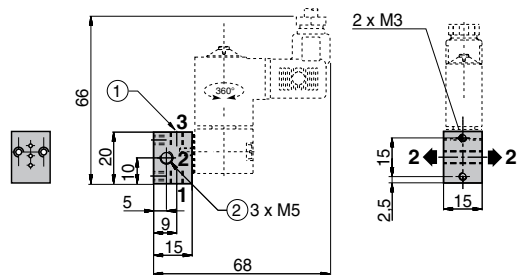
**Type 02 : SCG202A510/A511/A512**

**Type 03 : SCG202A513**



**SINGLE SUBBASE M5**  
Aluminium or brass

**88263002 - 30300001**



- ① Outlet (2) can be connected to the left or right of the subbase; plug the unused port with a Ø M5 plug (supplied)
- ② Port (3) unused (to be protected with a plug)

type	prefix option	catalogue number	A	B	C	D	E	F	G	H	J	K	L	M	N	P	weight <sup>(1)</sup>
01	SC	<b>SCG202A500</b>	53,9	27,5	17	19	48,2	59,5	M5	10,5	6	3,5	15,5	3,5	21,5	M3	0,100
		<b>SCG202A501/A502/A503/A504</b>	53,9	27,5	17	19	48,2	59,5	M5	8	8	2,65	16,35	5,65	19,35	Ø2,6	0,060
		<b>SCS202A505/A506/A507/A508/A509</b>	53	25,6	14,8	17	48	59,5	8,7	3,5	7,3	-	-	9,7	-	-	-
02	SC	<b>SCG202A510/A511/A512</b>	63,3	31,1	23	22	60,4	75,4	G1/8	8	8	3	19	5	20	M4	0,200
03	SC	<b>SCG202A513</b>	73,3	38	30	22	60,4	79	G1/8	8	8	3	19	5	20	M4	0,200
-	-	<b>88263002</b>	-	-	-	-	-	-	-	-	-	-	-	-	-	-	0,012
-	-	<b>30300001</b>	-	-	-	-	-	-	-	-	-	-	-	-	-	-	0,034

<sup>(1)</sup> Including coil and connector.