

Digital pressure gauge model DG-10

GB

Digitalmanometer Typ DG-10

D

Manomètre digital type DG-10

F

Manómetro digitales modelo DG-10

E



Digital pressure gauge model DG-10

WIKAL

Part of your business

GB	Operating instructions model DG-10	Page	3 - 28
D	Betriebsanleitung Typ DG-10	Seite	29 - 56
F	Mode d'emploi type DG-10	Page	57 - 82
E	Manual de instrucciones modelo DG-10	Página	83 - 109

© 2012 WIKA Alexander Wiegand SE & Co. KG
 All rights reserved. / Alle Rechte vorbehalten.
 WIKA® is a registered trademark in various countries.
 WIKA® ist eine geschützte Marke in verschiedenen Ländern.

Prior to starting any work, read the operating instructions!
 Keep for later use!

Vor Beginn aller Arbeiten Betriebsanleitung lesen!
 Zum späteren Gebrauch aufbewahren!

Lire le mode d'emploi avant de commencer toute opération !
 A conserver pour une utilisation ultérieure !

¡Leer el manual de instrucciones antes de comenzar cualquier trabajo!
 ¡Guardar el manual para una eventual consulta posterior!

Contents

1. General information	4
2. Safety	6
3. Specifications	9
4. Design and function	13
5. Transport, packaging and storage	13
6. Commissioning, operation	14
7. Maintenance and cleaning	25
8. Faults	26
9. Dismounting, return and disposal	27
10. Accessories	28
Appendix 1: EC Declaration of conformity model DG-10	55

Declarations of conformity can be found online at www.wika.com.

1. General information

1. General information

GB

- The digital pressure gauge described in the operating instructions has been designed and manufactured using state-of-the-art technology. All components are subject to stringent quality and environmental criteria during production. Our management systems are certified to ISO 9001 and ISO 14001.
- These operating instructions contain important information on handling the instrument. Working safely requires that all safety instructions and work instructions are observed.
- Observe the relevant local accident prevention regulations and general safety regulations for the instrument's range of use.
- The operating instructions are part of the product and must be kept in the immediate vicinity of the instrument and readily accessible to skilled personnel at any time.
- Skilled personnel must have carefully read and understood the operating instructions prior to beginning any work.
- The manufacturer's liability is void in the case of any damage caused by using the product contrary to its intended use, non-compliance with these operating instructions, assignment of insufficiently qualified skilled personnel or unauthorised modifications to the instrument.
- The general terms and conditions contained in the sales documentation shall apply.
- Subject to technical modifications.
- Further information:
 - Internet address: www.wika.de / www.wika.com
 - Relevant data sheet: PE 81.66
 - Application consultant: Tel.: (+49) 9372/132-8976
Fax: (+49) 9372/132-8008976
E-mail: support-tronic@wika.de

1. General information

Explanation of symbols



WARNING!

... indicates a potentially dangerous situation that can result in serious injury or death, if not avoided.



CAUTION!

... indicates a potentially dangerous situation that can result in light injuries or damage to the equipment or the environment, if not avoided.



Information

... points out useful tips, recommendations and information for efficient and trouble-free operation.

2. Safety

2. Safety

GB



WARNING!

Before installation, commissioning and operation, ensure that the appropriate digital pressure gauge has been selected in terms of measuring range, design and specific measuring conditions.

Non-observance can result in serious injury and/or damage to the equipment.



WARNING!

- Open the connections only after the system has been depressurised.
- Observe the working conditions in accordance with chapter 3 "Specifications".
- Always operate the digital pressure gauge within the overpressure limit.



Further important safety instructions can be found in the individual chapters of these operating instructions.

2.1 Intended use

The digital pressure gauge acts as the display for the applied pressure. The pressure value is displayed via a digital indicator.

The instrument has been designed and built solely for the intended use described here, and may only be used accordingly.

The technical specifications contained in these operating instructions must be observed. Improper handling or operation of the digital pressure gauge outside of its technical specifications requires the digital pressure gauge to be taken out of service immediately and inspected by an authorised WIKA service engineer.

The manufacturer shall not be liable for claims of any type based on operation contrary to the intended use.

2. Safety

2.2 Personnel qualification



WARNING!

Risk of injury should qualification be insufficient!

Improper handling can result in considerable injury and damage to equipment.

The activities described in these operating instructions may only be carried out by skilled personnel who have the qualifications described below.

GB

Skilled personnel

Skilled personnel are understood to be personnel who, based on their technical training, knowledge of measurement and control technology and on their experience and knowledge of country-specific regulations, current standards and directives, are capable of carrying out the work described and independently recognising potential hazards.

Special operating conditions require further appropriate knowledge, e.g. of aggressive media.

2.3 Special hazards



WARNING!

For hazardous media such as oxygen, acetylene, flammable or toxic gases or liquids, and refrigeration plants, compressors, etc., in addition to all standard regulations, the appropriate existing codes or regulations must also be followed.



WARNING!

Residual media in dismantled digital pressure gauges can result in a risk to persons, the environment and equipment.

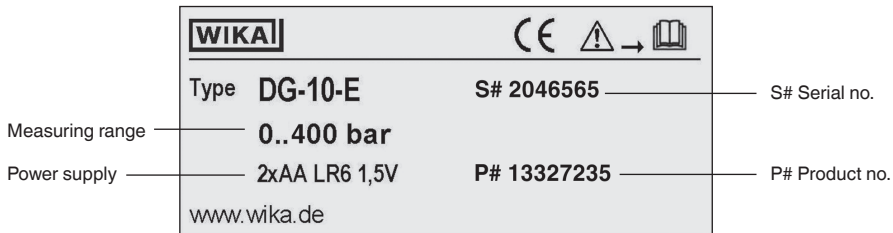
Take sufficient precautionary measures.

2. Safety

2.4 Labelling / safety marks

Product label

GB



If the serial number becomes illegible due to mechanical damage or overpainting, traceability will no longer be possible.

Explanation of symbols



Before mounting and commissioning the instrument, ensure you read the operating instructions!



CE, Communauté Européenne

Instruments bearing this mark comply with the relevant European directives.

3. Specifications

3. Specifications

3.1 Measuring ranges

Relative pressure

bar	Measuring range	0 ... 2	0 ... 5	0 ... 10	0 ... 20	0 ... 50	0 ... 100
	Overpressure limit	5	10	20	40	100	200
	Burst pressure	6	12	25	50	120	800
	Measuring range	0 ... 160	0 ... 250	0 ... 400	0 ... 600		
	Overpressure limit	320	500	800	1,200		
	Burst pressure	1,000	1,200	1,700	2,400		
psi	Measuring range	0 ... 30	0 ... 60	0 ... 145	0 ... 300	0 ... 600	0 ... 1,450
	Overpressure limit	70	145	290	580	1,450	2,900
	Burst pressure	85	170	360	725	1,740	11,600
	Measuring range	0 ... 2,000	0 ... 3,000	0 ... 5,000	0 ... 7,500	0 ... 10,000¹⁾	
	Overpressure limit	4,640	7,250	11,600	17,400	21,750	
	Burst pressure	14,500	17,400	24,650	34,800	43,500	

1) only possible with DG-10-E (DG-10-S can only display up to 9999 psi)

Vacuum and +/- measuring ranges

bar	Measuring range	-1 ... +2	-1 ... +5	-1 ... +10
	Overpressure limit	5	10	20
	Burst pressure	6	12	25
psi	Measuring range	-30 inHg ... +29 psi	-30 inHg ... +72 psi	-30 inHg ... +145 psi
	Overpressure limit	70	145	290
	Burst pressure	85	170	360

3. Specifications

3.2 Digital indicator

See chapter 6.3 "Description of the digital indicator"

GB

3.3 Software functions

See chapter 6.4 "Keys and functions"

3.4 Approvals, directives and certificates

CE conformity

- Pressure equipment directive 97/23/EC, PS > 200 bar; module A, pressure accessory
- EMC directive 2004/108/EC, EN 61326 emission (group 1, class B) and immunity (industrial application)

3.5 Voltage supply

see chapter 6.2 "Voltage supply"

3.6 Reference conditions

Temperature

0 ... 60 °C

Atmospheric pressure

860 ... 1,060 mbar

Humidity

< 90 % rel., non-condensing

Nominal position

Calibrated in vertical mounting position with pressure connection facing downwards.

Power supply

2 x 1.5 V AA cell

3. Specifications

3.6 Accuracy

Accuracy at reference conditions

$\leq \pm 0.5$ % of span ± 1 digit

Including non-linearity, hysteresis, zero offset and end value deviation (corresponds to measured error per IEC 61298-2).

Zero error for the zero signal

≤ 0.1 % of span (power-up reset)

Adjustability of zero point

≤ 20 % of span (via tare function with model DG-10-E)

Temperature error at 0 ... 60 °C

- Mean temperature coefficient of zero point
 ≤ 0.15 % of span/10 K
- Mean temperature coefficient of span
 ≤ 0.15 % of span/10 K

Long-term stability

≤ 0.2 % of span/year

GB

3. Specifications

3.7 Operating conditions

Ingress protection (per IEC 60529)

IP 65

Temperatures

- Medium:
 - Measuring range < 100 bar: -30 ... +85 °C
 - Measuring range ≥ 100 bar: -30 ... +100 °C
- Ambient: -10 ... +60 °C
- Storage: -20 ... +70 °C

3.8 Materials

Wetted parts

- Process connection: Stainless steel 1.4571
- Sensor element ≤ 50 bar: Ceramic Al₂O₃ 96 %
NBR (option: EPDM)
- Sensor element > 100 bar: XM-13 (stainless steel 1.4534)

Non-wetted parts

- Case: Stainless steel 1.4301
- Front foil and membrane: Polyester

For special model numbers, e.g. DG-10000, please note the specifications stated on the delivery note. For further specifications see WIKA data sheet PE 81.66 and the order documentation.

4. Design and function / 5. Transport, packaging and storage

4. Design and function

4.1 Description

The prevailing pressure is measured at the sensor element through the deformation of a diaphragm. By supplying power, this deformation of the diaphragm is converted into an electrical signal. This signal is displayed via a digital indicator.

4.2 Scope of delivery

Cross-check scope of delivery with delivery note.

5. Transport, packaging and storage

5.1 Transport

Check the digital pressure gauge for any damage that may have been caused by transport. Obvious damage must be reported immediately.

5.2 Packaging

Do not remove packaging until just before mounting.

Keep the packaging as it will provide optimum protection during transport (e.g. change in installation site, sending for repair).

5.3 Storage

Permissible conditions at the place of storage:

- Storage temperature: -20 ... +70 °C
- Humidity: < 90 % rel., non-condensing



WARNING!

Before storing the digital pressure gauge (following operation), remove any residual media. This is of particular importance if the medium is hazardous to health, e.g. caustic, toxic, carcinogenic, radioactive, etc..

6. Commissioning, operation

6. Commissioning, operation



CAUTION!

Prior to commissioning, the digital pressure gauge must be subjected to a visual inspection. Only use the digital pressure gauge if it is in perfect condition with respect to safety.



Required tool: Open-ended spanner (spanner width 27)

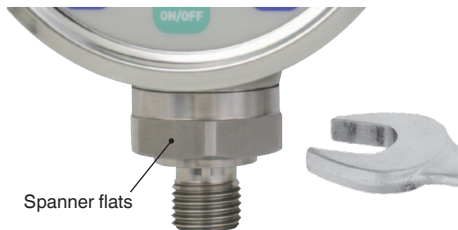
6.1 Mechanical mounting

- The sealing faces at the instrument have to be undamaged and clean.
- When screwing the instrument in, the force required to do this must not be applied through the case, but only through the spanner flats provided for this purpose and using a suitable tool.

The correct torque depends on the dimensions of the process connection and the gasket used (form/material).

Do not overwind the process connection, do not exceed the permissible torques.

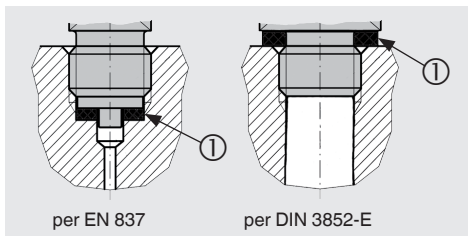
- When screwing in, do not cross the threads.
- For information on tapped holes and welding sockets, see Technical information IN 00.14 at www.wika.com.



6. Commissioning, operation

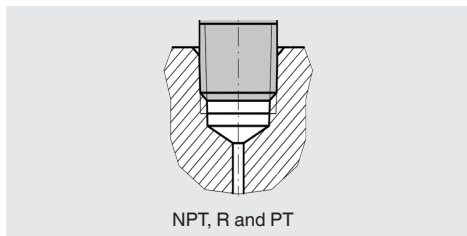
Sealing of the process connection

Parallel threads



Correct sealing of the process connections with parallel threads at the sealing face ① must be made using suitable flat gaskets, sealing rings or WIKA profile sealings.

Tapered threads



For sealing process connections with tapered threads, the sealing must be made in the threads using additional sealing material, e.g. PTFE tape (EN 837-2).

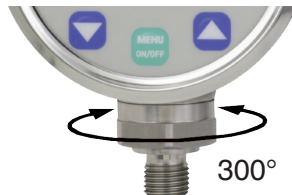


For further information on sealings see WIKA data sheet AC 09.08 or under www.wika.com.

Rotatability of the case

The case of the model DG-10-E can be rotated through 300°, thus the display can be read from almost any position.

Do not turn the case forcibly past the stop point.



6. Commissioning, operation

6.2 Voltage supply

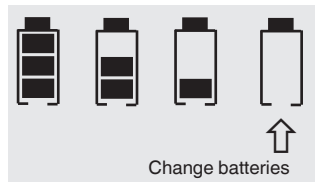
The power supply for the digital pressure gauge is provided via two 1.5 V AA cells.
The operating time is approx. 4,000 hours, when using batteries with a capacity of 2,000 mAh.

GB

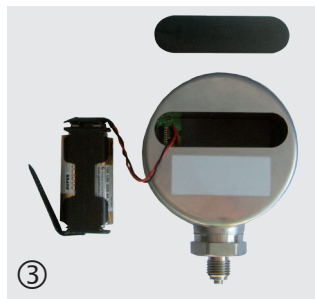
Battery status

The battery status is shown by a battery symbol in the display (see chapter 6.3 "Description of the digital indicator").

Change the batteries as follows, as soon as the battery symbol shows no bars and is blinking.



Take the cover off.



Remove the battery compartment with the help of the tab and change the batteries.

Put the instrument back together in the reverse order.

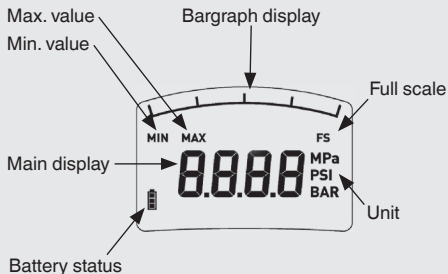
6. Commissioning, operation

6.3 Description of the digital indicator

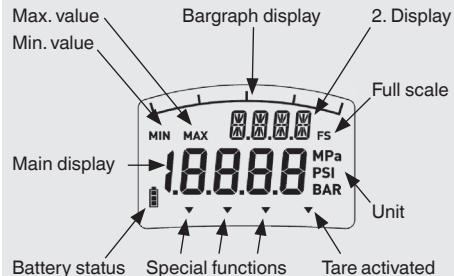
	Model DG-10-S	Model DG-10-E
Type of indication	7-Segment LCD	7-segment LCD 14-segment LCD (2. Display)
■ Digits	4-digit	4 ½-digit
■ Character size	11 mm	11 mm and 7 mm
■ Indication range	-1999 ... 9999	-1999 ... 19999
■ Update	200 ms	200 ms
■ Backlighting	no	yes
■ Bargraph with drag pointer function	yes	yes
■ Rotatability	no	300°

GB

Model DG-10-S



Model DG-10-E



6. Commissioning, operation

Backlighting (model DG-10-E)

The model DG-10-E features backlighting so that the display can be easily read, even under poor lighting conditions.

After pressing any key, the display will light up for 7 seconds.

The backlighting can be switched on and off via the menu item "LIGH", see chapter 6.4 "Menu navigation in the programming mode, model DG-10-E".



6.4 Keys and functions

Function	Model DG-10-S	Model DG-10-E
MIN/MAX memory	yes	yes
Automatic power-off	no	15, 30, 60, 120 minutes
Tare function	no	yes
Unit change	bar, psi, MPa	bar, psi, MPa
Password protection	no	yes
Reset to factory settings	no	yes

Bargraph display with drag pointer function

The additional integrated bargraph with drag-pointer function within the display indicates the trend of the current pressure directly, independently from the digital indicator. Using the drag-pointer function, the max. memory value is also displayed in the bargraph display in the form of a bar segment, as well as in the digital indicator. On resetting the MIN/MAX value, this bargraph is then updated to the current measured value.

6. Commissioning, operation

MIN/MAX memory

The MIN/MAX memory is reset to the current measured value with each measuring cycle.

Tare function "TARE" (model DG-10-E)

In this mode, the positive deviation of the measured value from the tared value (max. 20 % of the measuring range) is shown on the main display. The non-tared value is shown on the bargraph display, so that you can always read the current utilisation of the digital pressure gauge.

The following possibilities can be activated for the tare function:

- Select the tare function via the "TARE" menu item. Use the arrow keys to adjust the value to be tared. The adjusted value to be tared will be stored in the memory as tare.
- Load the digital pressure gauge to the pressure to be tared. The main display will show the current measured value. Via the menu, select the tare function, "TARE", and press the two arrow keys simultaneously. The current measured value will be stored as tare. The main and secondary display will be set to "0000".

The tare function can be reset in both variants by setting the tare value to "0000".

GB

6. Commissioning, operation

Key function in the operating mode

GB



- Switches the digital pressure gauge on or off.
- Switches the instrument to the programming mode (pressing for longer than 3 seconds).



On pressing, the display indicates the max. value.



On pressing, the display indicates the min. value.



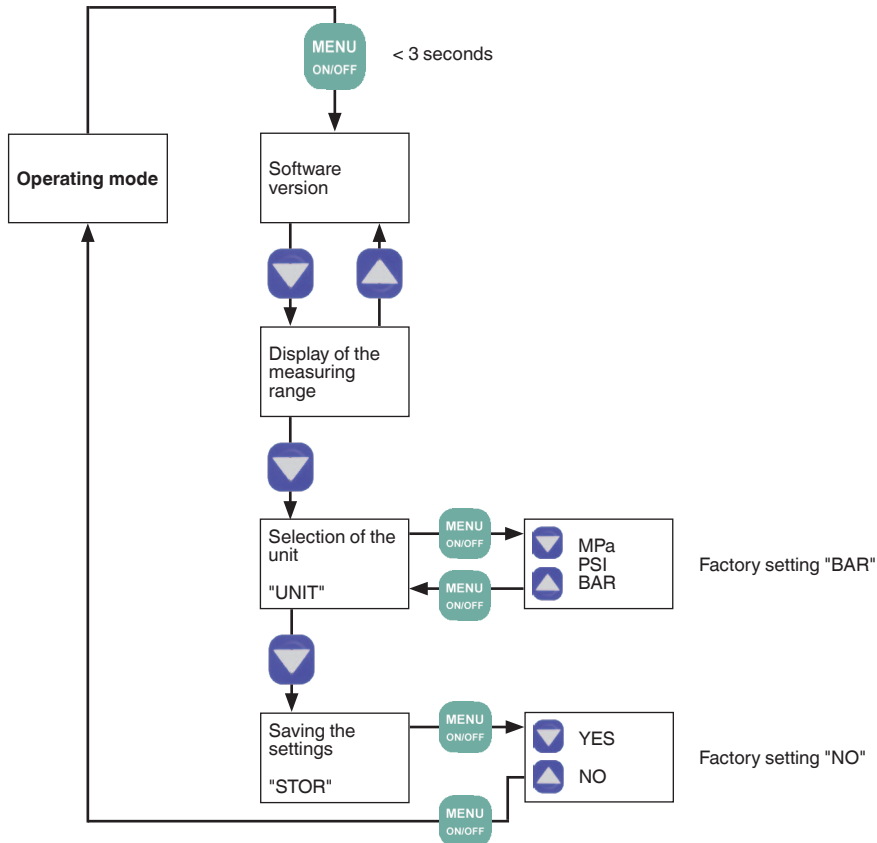
Resets the max. value to 0.



Resets the min. value to 0.

6. Commissioning, operation

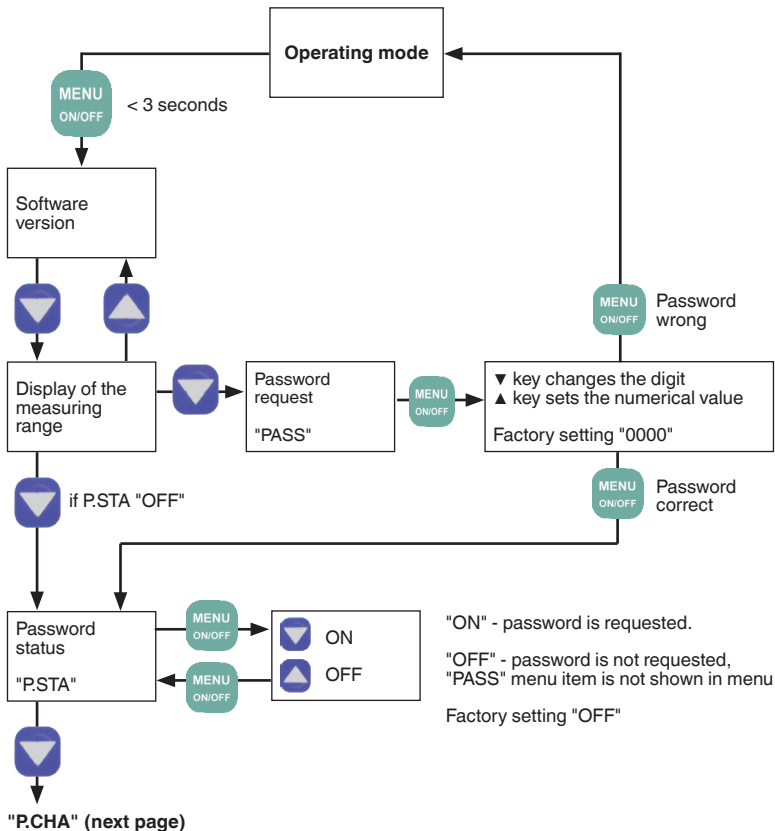
Menu navigation in the programming mode, model DG-10-S



GB

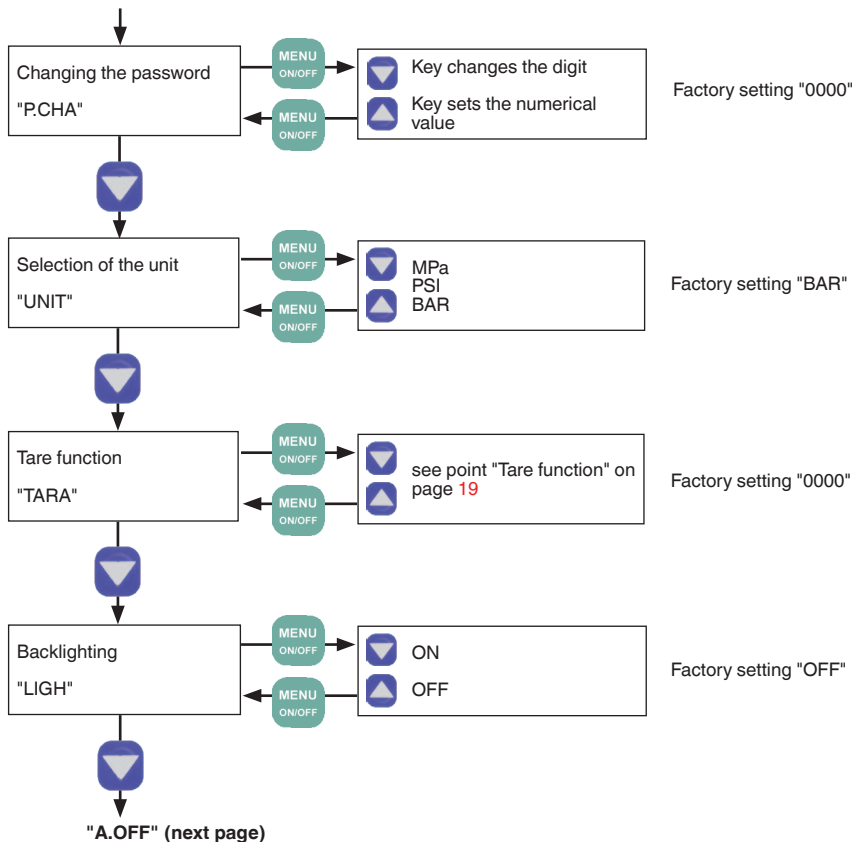
6. Commissioning, operation

Menu navigation in the programming mode, model DG-10-E



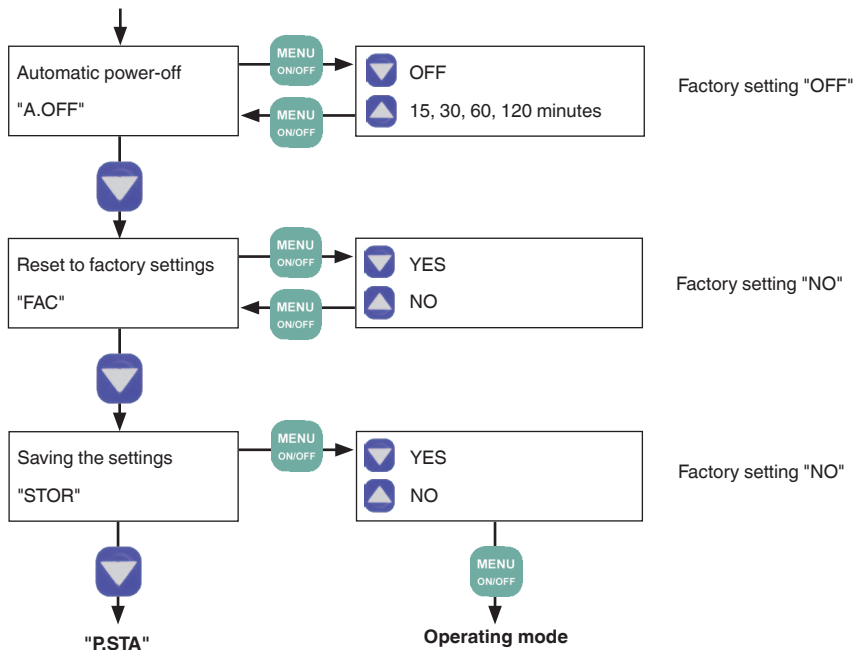
6. Commissioning, operation

GB



6. Commissioning, operation

GB



7. Maintenance and cleaning

7. Maintenance and cleaning

7.1 Maintenance

The digital pressure gauge is maintenance-free.

Repairs must only be carried out by the manufacturer.

7.2 Cleaning



CAUTION!

- Before cleaning, correctly disconnect the digital pressure gauge from the pressure supply.
- Clean the instrument with a moist cloth.
- Wash or clean the dismantled instrument before returning it, in order to protect persons and the environment from exposure to residual media.
- Residual media in dismantled instruments can result in a risk to persons, the environment and equipment. Take sufficient precautionary measures.
- Do not use any pointed or hard objects for cleaning.



For information on returning the instrument see chapter 9.2 "Return".

8. Faults

8. Faults

In the event of any faults, first check whether the digital pressure gauge is mounted correctly, mechanically and electrically.

Faults	Causes	Measures
No display	Batteries discharged	Change batteries
	Batteries inserted the wrong way around	Insert the batteries with the polarity correct
Display remains on 0, despite there being pressure	Instrument turned too far	Replace instrument
	Sensor wire broken	
Constant display signal upon change in pressure	Mechanical overload caused by overpressure	Replace instrument
Signal span too small	Mechanical overload caused by overpressure	Replace instrument
Signal span varies	EMC interference sources in the environment	Remove sources of interference
	Operating temperature too high/low	Observe the permissible temperatures
Signal span inaccurate	Operating temperature too high/low	Observe the permissible temperatures
Deviating zero point signal	Medium or ambient temperature too high/low	Observe the permissible temperatures

If complaint is unjustified, we will charge you the complaint processing fees.



CAUTION!

If faults cannot be eliminated by means of the measures listed above, shut down the digital pressure gauge immediately, and ensure that pressure and/or signal are no longer present, and secure the instrument from being put back into operation inadvertently. In this case, contact the manufacturer. If a return is needed, please follow the instructions given in chapter 9.2 "Return".

9. Dismounting, return and disposal

9. Dismounting, return and disposal



WARNING!

Residual media in dismantled pressure transmitters can result in a risk to persons, the environment and equipment.

Take sufficient precautionary measures.

GB

9.1 Dismounting

Only disconnect the digital pressure gauge once the system has been depressurised!

9.2 Return



WARNING!

Strictly observe the following when shipping the digital pressure gauge:

All digital pressure gauges delivered to WIKA must be free from any kind of hazardous substances (acids, bases, solutions, etc.).

When returning the instrument, use the original packaging or a suitable transport package.



Information on returns can be found under the heading "Service" on our local website.

9.3 Disposal

Incorrect disposal can put the environment at risk.

Dispose of instrument components and packaging materials in an environmentally compatible way and in accordance with the country-specific waste disposal regulations.

10. Accessories

10. Accessories

GB

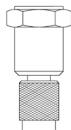
Description

Order no.



Rubber protection cap (black)

11262010



Minimes connector

9072314

Maximum pressure strength 630 bar



Sealing for process connection per DIN 3852-E

Material NBR

Thread size

G 1/4 A

1537857

Inhalt

1. Allgemeines	30
2. Sicherheit	32
3. Technische Daten	35
4. Aufbau und Funktion	39
5. Transport, Verpackung und Lagerung	39
6. Inbetriebnahme, Betrieb	40
7. Wartung und Reinigung	51
8. Störungen	52
9. Demontage, Rücksendung und Entsorgung	53
10. Zubehör	54
Anlage 1: EG-Konformitätserklärung Typ DG-10	55

Konformitätserklärungen finden Sie online unter www.wika.de.

1. Allgemeines

1. Allgemeines

- Das in der Betriebsanleitung beschriebene Digitalmanometer wird nach dem aktuellen Stand der Technik konstruiert und gefertigt.
Alle Komponenten unterliegen während der Fertigung strengen Qualitäts- und Umweltkriterien. Unsere Managementsysteme sind nach ISO 9001 und ISO 14001 zertifiziert.
- Diese Betriebsanleitung gibt wichtige Hinweise zum Umgang mit dem Gerät. Voraussetzung für sicheres Arbeiten ist die Einhaltung aller angegebenen Sicherheitshinweise und Handlungsanweisungen.
- Die für den Einsatzbereich des Gerätes geltenden örtlichen Unfallverhütungsvorschriften und allgemeinen Sicherheitsbestimmungen einhalten.
- Die Betriebsanleitung ist Produktbestandteil und muss in unmittelbarer Nähe des Gerätes für das Fachpersonal jederzeit zugänglich aufbewahrt werden.
- Das Fachpersonal muss die Betriebsanleitung vor Beginn aller Arbeiten sorgfältig durchgelesen und verstanden haben.
- Die Haftung des Herstellers erlischt bei Schäden durch bestimmungswidrige Verwendung, Nichtbeachten dieser Betriebsanleitung, Einsatz ungenügend qualifizierten Fachpersonals sowie eigenmächtiger Veränderung am Gerät.
- Es gelten die allgemeinen Geschäftsbedingungen in den Verkaufsunterlagen.
- Technische Änderungen vorbehalten.
- Weitere Informationen:
 - Internet-Adresse: www.wika.de / www.wika.com
 - zugehöriges Datenblatt: PE 81.66
 - Anwendungsberater: Tel.: (+49) 9372/132-8976
Fax: (+49) 9372/132-8008976
E-Mail: support-tronic@wika.de

D

1. Allgemeines

Symbolerklärung



WARNUNG!

... weist auf eine möglicherweise gefährliche Situation hin, die zum Tod oder zu schweren Verletzungen führen kann, wenn sie nicht gemieden wird.



VORSICHT!

... weist auf eine möglicherweise gefährliche Situation hin, die zu geringfügigen oder leichten Verletzungen bzw. Sach- und Umweltschäden führen kann, wenn sie nicht gemieden wird.



Information

... hebt nützliche Tipps und Empfehlungen sowie Informationen für einen effizienten und störungsfreien Betrieb hervor.

D

2. Sicherheit

2. Sicherheit



WARNUNG!

Vor Montage, Inbetriebnahme und Betrieb sicherstellen, dass das richtige Digitalmanometer hinsichtlich Messbereich, Ausführung und spezifischen Messbedingungen ausgewählt wurde.

Bei Nichtbeachten können schwere Körperverletzungen und/oder Sachschäden auftreten.



WARNUNG!

- Anschlüsse nur im drucklosen Zustand öffnen.
- Betriebsparameter gemäß Kapitel 3 „Technische Daten“ beachten.
- Digitalmanometer immer innerhalb der Überlast-Druckgrenze betreiben.



Weitere wichtige Sicherheitshinweise befinden sich in den einzelnen Kapiteln dieser Betriebsanleitung.

2.1 Bestimmungsgemäße Verwendung

Das Digitalmanometer dient der Anzeige des anliegenden Druckes. Der Druckwert wird über eine Digitalanzeige dargestellt.

Das Gerät ist ausschließlich für den hier beschriebenen bestimmungsgemäßen Verwendungszweck konzipiert und konstruiert und darf nur dementsprechend verwendet werden.

Die technischen Spezifikationen in dieser Betriebsanleitung sind einzuhalten. Eine unsachgemäße Handhabung oder ein Betreiben des Digitalmanometers außerhalb der technischen Spezifikationen macht die sofortige Stilllegung und Überprüfung durch einen autorisierten WIKA-Servicemitarbeiter erforderlich.

Ansprüche jeglicher Art aufgrund von nicht bestimmungsgemäßer Verwendung sind ausgeschlossen.

2. Sicherheit

2.2 Personalqualifikation



WARNUNG!

Verletzungsgefahr bei unzureichender Qualifikation!

Unsachgemäßer Umgang kann zu erheblichen Personen- und Sachschäden führen. Die in dieser Betriebsanleitung beschriebenen Tätigkeiten nur durch Fachpersonal nachfolgend beschriebener Qualifikation durchführen lassen.

Fachpersonal

Das Fachpersonal ist aufgrund seiner fachlichen Ausbildung, seiner Kenntnisse der Mess- und Regelungstechnik und seiner Erfahrungen sowie Kenntnis der landesspezifischen Vorschriften, geltenden Normen und Richtlinien in der Lage, die beschriebenen Arbeiten auszuführen und mögliche Gefahren selbstständig zu erkennen.

Spezielle Einsatzbedingungen verlangen weiteres entsprechendes Wissen, z. B. über aggressive Medien.

2.3 Besondere Gefahren



WARNUNG!

Bei gefährlichen Messstoffen wie z. B. Sauerstoff, Acetylen, brennbaren oder giftigen Stoffen, sowie bei Kälteanlagen, Kompressoren etc. müssen über die gesamten allgemeinen Regeln hinaus die einschlägigen Vorschriften beachtet werden.



WARNUNG!

Messstoffreste in ausgebauten Digitalmanometern können zur Gefährdung von Personen, Umwelt und Einrichtung führen.

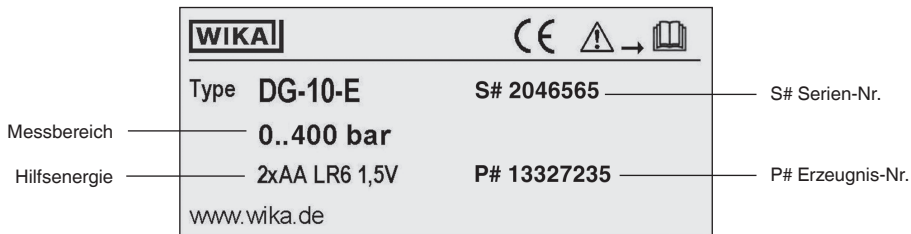
Ausreichende Vorsichtsmaßnahmen ergreifen.

2. Sicherheit

2.4 Beschilderung / Sicherheitskennzeichnungen

Typenschild

D



Wird die Seriennummer durch mechanische Beschädigung oder Übermalen unleserlich, ist eine Rückverfolgbarkeit nicht mehr möglich.

Symbolerklärung



Vor Montage und Inbetriebnahme des Gerätes unbedingt die Betriebsanleitung lesen!



CE, Communauté Européenne

Geräte mit dieser Kennzeichnung stimmen überein mit den zutreffenden europäischen Richtlinien.

3. Technische Daten

3. Technische Daten

3.1 Messbereiche

Relativdruck

bar	Messbereich	0 ... 2	0 ... 5	0 ... 10	0 ... 20	0 ... 50	0 ... 100
	Überlast-Druckgrenze	5	10	20	40	100	200
	Berstdruck	6	12	25	50	120	800
	Messbereich	0 ... 160	0 ... 250	0 ... 400	0 ... 600		
	Überlast-Druckgrenze	320	500	800	1.200		
	Berstdruck	1.000	1.200	1.700	2.400		
psi	Messbereich	0 ... 30	0 ... 60	0 ... 145	0 ... 300	0 ... 600	0 ... 1.450
	Überlast-Druckgrenze	70	145	290	580	1.450	2.900
	Berstdruck	85	170	360	725	1.740	11.600
	Messbereich	0 ... 2.000	0 ... 3.000	0 ... 5.000	0 ... 7.500	0 ... 10.000 ¹⁾	
	Überlast-Druckgrenze	4.640	7.250	11.600	17.400	21.750	
	Berstdruck	14.500	17.400	24.650	34.800	43.500	

1) nur möglich mit DG-10-E (DG-10-S kann nur bis 9999 psi anzeigen)

Vakuum- und +/- Messbereiche

bar	Messbereich	-1 ... +2	-1 ... +5	-1 ... +10
	Überlast-Druckgrenze	5	10	20
	Berstdruck	6	12	25
psi	Messbereich	-30 inHg ... +29 psi	-30 inHg ... +72 psi	-30 inHg ... +145 psi
	Überlast-Druckgrenze	70	145	290
	Berstdruck	85	170	360

3. Technische Daten

3.2 Digitalanzeige

Siehe Kapitel 6.3 „Beschreibung der Digitalanzeige“

3.3 Software-Funktionen

Siehe Kapitel 6.4 „Tasten und Funktionen“

3.4 Zulassungen, Richtlinien und Zertifikate

CE-Konformität

- Druckgeräterichtlinie 97/23/EG, PS > 200 bar; Modul A, druckhaltendes Ausrüstungsteil
- EMV-Richtlinie 2004/108/EG, EN 61326 Emission (Gruppe 1, Klasse B) und Störfestigkeit (industrieller Bereich)

3.5 Spannungsversorgung

siehe Kapitel 6.2 „Spannungsversorgung“

3.6 Referenzbedingungen

Temperatur

0 ... 60 °C

Luftdruck

860 ... 1.060 mbar

Luftfeuchte

< 90 % rel., nicht kondensierend

Nennlage

Kalibriert bei senkrechter Einbaulage mit dem Prozessanschluss nach unten.

Hilfsenergie

2 x 1,5 V Mignonzelle AA

D

3. Technische Daten

3.6 Genauigkeit

Genauigkeit bei Referenzbedingungen

$\leq \pm 0,5$ % der Spanne ± 1 Digit

Einschließlich Nichtlinearität, Hysterese, Nullpunkt- und Endwertabweichung (entspricht Messabweichung nach IEC 61298-2).

Ableichgenauigkeit des Nullsignals

$\leq 0,1$ % der Spanne (Einschaltreset)

Einstellbarkeit des Nullpunktes

≤ 20 % der Spanne (mittels Tarafunktion bei Typ DG-10-E)

Temperaturfehler bei 0 ... 60 °C

- Mittlerer Temperaturkoeffizient Nullpunkt
 $\leq 0,15$ % der Spanne/10 K
- Mittlerer Temperaturkoeffizient Spanne
 $\leq 0,15$ % der Spanne/10 K

Langzeitstabilität

$\leq 0,2$ % der Spanne/Jahr

D

3. Technische Daten

3.7 Einsatzbedingungen

Schutzart (nach IEC 60529)

IP 65

Temperaturen

- Medium:
 - Messbereich < 100 bar: -30 ... +85 °C
 - Messbereich ≥ 100 bar: -30 ... +100 °C
- Umgebung: -10 ... +60 °C
- Lagerung: -20 ... +70 °C

3.8 Werkstoffe

Messstoffberührte Teile

- Prozessanschluss: CrNi-Stahl 1.4571
- Sensorelement ≤ 50 bar: Keramik Al₂O₃ 96 %
NBR (Option: EPDM)
- Sensorelement > 100 bar: XM-13 (CrNi-Stahl 1.4534)

Nicht messstoffberührte Teile

- Gehäuse: CrNi-Stahl 1.4301
- Frontfolie und Scheibe: Polyester

Bei Sondertypennummer, z. B. DG-10000 Spezifikationen gemäß Lieferschein beachten.
Weitere technische Daten siehe WIKA Datenblatt PE 81.66 und Bestellunterlagen.

4. Aufbau und Funktion / 5. Transport, Verpackung und Lagerung

4. Aufbau und Funktion

4.1 Beschreibung

Der anstehende Druck wird mittels Membranverformung am Sensorelement gemessen. Unter Zuführung von Hilfsenergie wird diese Membranverformung in ein elektrisches Signal umgewandelt. Dieses Signal wird über eine Digitalanzeige dargestellt.

4.2 Lieferumfang

Lieferumfang mit dem Lieferschein abgleichen.

5. Transport, Verpackung und Lagerung

5.1 Transport

Digitalmanometer auf eventuell vorhandene Transportschäden untersuchen.
Offensichtliche Schäden unverzüglich mitteilen.

5.2 Verpackung

Verpackung erst unmittelbar vor der Montage entfernen.
Die Verpackung aufbewahren, denn diese bietet bei einem Transport einen optimalen Schutz (z. B. wechselnder Einbauort, Reparatursendung).

5.3 Lagerung

Zulässige Bedingungen am Lagerort:

- Lagertemperatur: -20 ... +70 °C
- Feuchtigkeit: < 90 % rel., nicht kondensierend



WARNUNG!

Vor der Einlagerung des Digitalmanometers (nach Betrieb) alle anhaftenden Messstoffreste entfernen. Dies ist besonders wichtig, wenn der Messstoff gesundheitsgefährdend ist, wie z. B. ätzend, giftig, krebserregend, radioaktiv, usw.

6. Inbetriebnahme, Betrieb

6. Inbetriebnahme, Betrieb



VORSICHT!

Vor der Inbetriebnahme den Digitalmanometer optisch prüfen.
Den Digitalmanometer nur in sicherheitstechnisch einwandfreiem Zustand einsetzen.

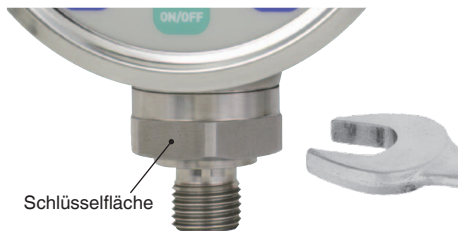
D



Benötigtes Werkzeug: Maulschlüssel (Schlüsselweite 27)

6.1 Mechanische Montage

- Dichtflächen am Gerät und an der Messstelle müssen unbeschädigt und frei von Verschmutzungen sein.
- Beim Einschrauben des Gerätes darf die dazu erforderliche Kraft nicht über das Gehäuse aufgebracht werden, sondern nur mit geeignetem Werkzeug über die dafür vorgesehene Schlüsselfläche.



Das richtige Drehmoment ist abhängig von der Dimension des Prozessanschlusses sowie der verwendeten Dichtung (Form/Werkstoff).

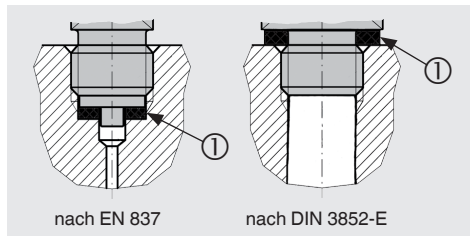
Prozessanschluss nicht überdrehen, die zulässigen Momente nicht überschreiten.

- Beim Einschrauben die Gewindegänge nicht verkanten.
- Angaben zu Einschraublöchern und Einschweißstutzen siehe Technische Information IN 00.14 unter www.wika.de.

6. Inbetriebnahme, Betrieb

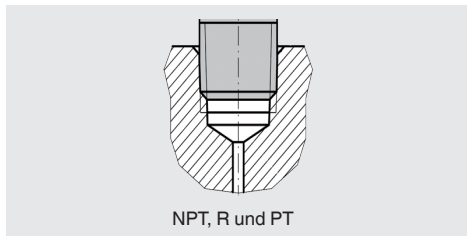
Abdichtung des Prozessanschlusses

Zylindrische Gewinde



Zur Abdichtung der Prozessanschlüsse mit zylindrischem Gewinde sind an der Dichtfläche ① Flachdichtungen, Dichtlinsen oder WIKA-Profil-dichtungen einzusetzen.

Kegelige Gewinde



Zur Abdichtung der Prozessanschlüsse mit kegeligem Gewinde erfolgt die Abdichtung im Gewinde, mit zusätzlichen Dichtwerkstoffen z. B. PTFE-Band (EN 837-2).

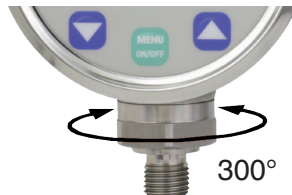


Hinweise zu Dichtungen siehe WIKA Datenblatt AC 09.08 oder unter www.wika.de.

Drehbarkeit des Gehäuses

Das Gehäuse des Typ DG-10-E ist um 300° drehbar, damit das Display von nahezu jeder Position abgelesen werden kann.

Das Gehäuse nicht gewaltsam über den Anschlagpunkt hinaus drehen.



6. Inbetriebnahme, Betrieb

6.2 Spannungsversorgung

Als Spannungsversorgung dienen dem Digitalmanometer zwei 1,5 V Mignonzellen AA.

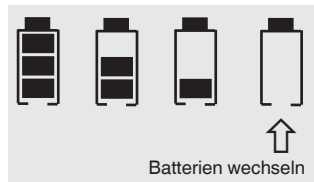
Die Betriebsdauer beläuft sich auf ca. 4.000 Stunden, bei Verwendung von Batterien mit einer Kapazität von 2.000 mAh.

D

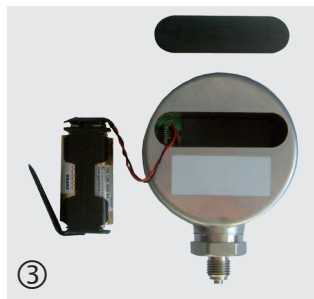
Ladezustand der Batterien

Der Ladezustand der Batterien wird über ein Batteriesymbol im Display angezeigt (siehe Kapitel 6.3 „Beschreibung der Digitalanzeige“).

Die Batterien wie folgt wechseln, sobald das Batteriesymbol keine Balken mehr enthält und blinkt.



Den Deckel abziehen.



Batteriefach mit Hilfe der Lasche herausnehmen und Batterien austauschen.

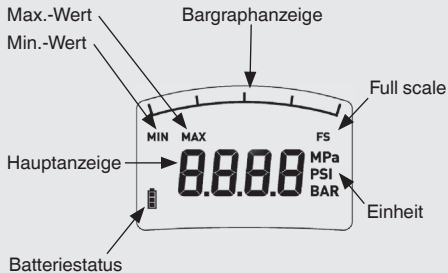
Das Gerät in umgekehrter Reihenfolge wieder verschließen.

6. Inbetriebnahme, Betrieb

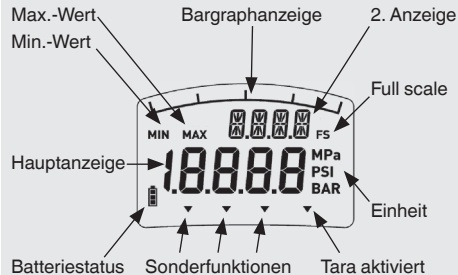
6.3 Beschreibung der Digitalanzeige

	Typ DG-10-S	Typ DG-10-E
Anzeigetyp	7-Segment-LCD	7-Segment-LCD 14-Segment-LCD (2. Anzeige)
■ Stellen	4-stellig	4 ½-stellig
■ Ziffernhöhe	11 mm	11 mm und 7 mm
■ Display-Anzeigebereich	-1999 ... 9999	-1999 ... 19999
■ Aktualisierung	200 ms	200 ms
■ Hintergrundbeleuchtung	nein	ja
■ Bargraph mit Schleppeigerfunktion	ja	ja
■ Drehbarkeit	nein	300°

Typ DG-10-S



Typ DG-10-E



6. Inbetriebnahme, Betrieb

Hintergrundbeleuchtung (Typ DG-10-E)

Der Typ DG-10-E verfügt über eine Hintergrundbeleuchtung, um das Display auch bei schlechten Lichtverhältnissen gut ablesen zu können.



D

Nach Tastenbetätigung wird das Display für 7 Sekunden beleuchtet.

Das Ein- und Ausschalten der Hintergrundbeleuchtung erfolgt über den Punkt „LIGH“ im Menü, siehe Kapitel 6.4 „Menüführung im Programmiermodus Typ DG-10-E“.

6.4 Tasten und Funktionen

Funktion	Typ DG-10-S	Typ DG-10-E
MIN/MAX-Speicher	ja	ja
Automatische Ausschaltung	nein	15, 30, 60, 120 Minuten
Tarafunktion	nein	ja
Einheitenumschaltung	bar, psi, MPa	bar, psi, MPa
Passwortschutz	nein	ja
Reset auf Werkseinstellungen	nein	ja

Bargraphanzeige mit Schleppzeigerfunktion

Die zusätzlich in der Anzeige integrierte Bargraphanzeige mit Schleppzeigerfunktion zeigt direkt die Tendenz des momentanen Druckes unabhängig von der Digitalanzeige an. Mit Hilfe der Schleppzeigerfunktion wird der Max.-Speicherwert zusätzlich zur Digitalanzeige auch in der Bargraphanzeige in Form eines Balkensegments angezeigt. Dieses Balkensegment wird bei der Rücksetzung des MIN/MAX-Wertes ebenfalls auf den aktuellen Messwert aktualisiert.

6. Inbetriebnahme, Betrieb

MIN/MAX-Speicher

Der MIN/MAX-Speicher wird bei jedem Messzyklus mit dem aktuellen Messwert aktualisiert.

Tarafunktion „TARA“ (Typ DG-10-E)

In diesem Modus wird stetig die positive Messwertabweichung vom tarierten Wert (max. 20 % des Messbereiches) durch die Hauptanzeige angezeigt. Der nicht tarierte Wert wird über die Bargraphanzeige dargestellt, somit lässt sich die tatsächliche Auslastung des Digitalmanometers ablesen.

Es gibt folgende Möglichkeiten die Tara-Funktion zu aktivieren:

- Über das Menü die Tarafunktion „TARA“ auswählen. Über die Pfeiltasten den zu tariierenden Wert einstellen. Der eingestellte zu tariierende Wert wird nach dem Speichern als Tara ausgelagert.
- Das Digitalmanometer mit dem zu tariierenden Druck belasten. In der Hauptanzeige erscheint der aktuelle Messwert. Über das Menü die Tarafunktion „TARA“ auswählen und gleichzeitig die beiden Pfeiltasten betätigen. Der aktuelle Messwert wird als Tara ausgelagert. Die Haupt- und Nebenanzeige werden auf „0000“ gesetzt.

Die Rücksetzung der Tarafunktion erfolgt bei beiden Varianten durch Einstellen des Tara-Wertes auf „0000“.

6. Inbetriebnahme, Betrieb

Tastenfunktion im Betriebsmodus



- Schaltet das Digitalmanometer ein bzw. aus.
- Wechselt das Gerät in den Programmiermodus (Betätigung länger als 3 Sekunden).

D



Display zeigt bei Betätigung den Max.-Wert an.



Display zeigt bei Betätigung den Min.-Wert an.



+



Setzt Max.-Wert auf 0 zurück.



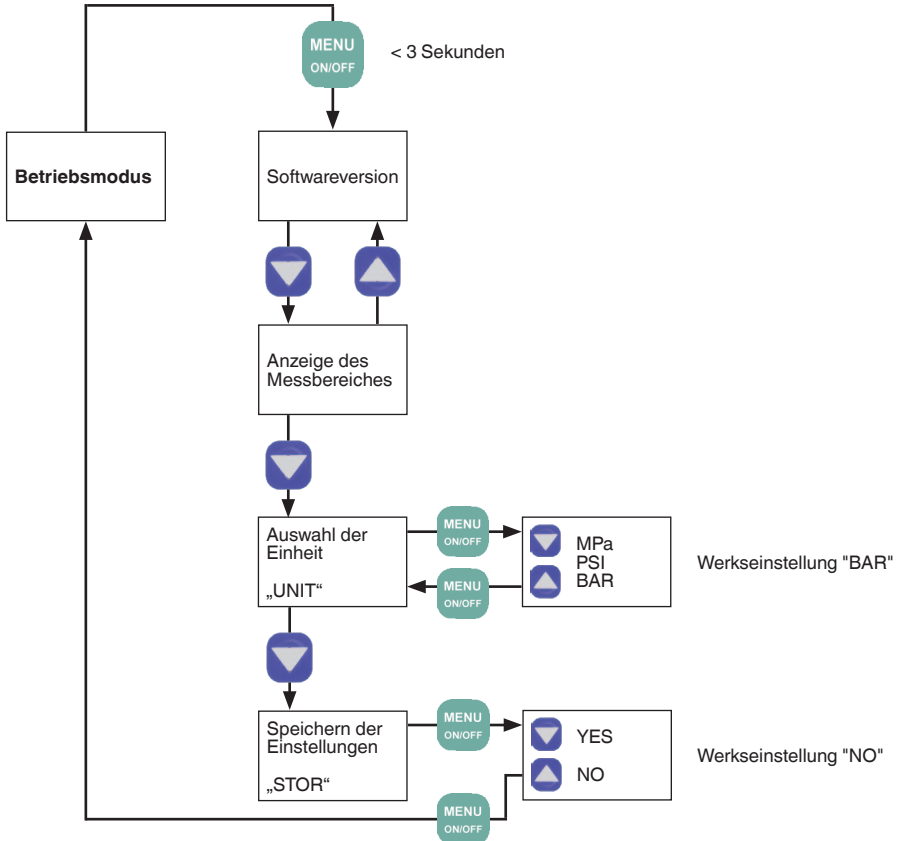
+



Setzt Min.-Wert auf 0 zurück.

6. Inbetriebnahme, Betrieb

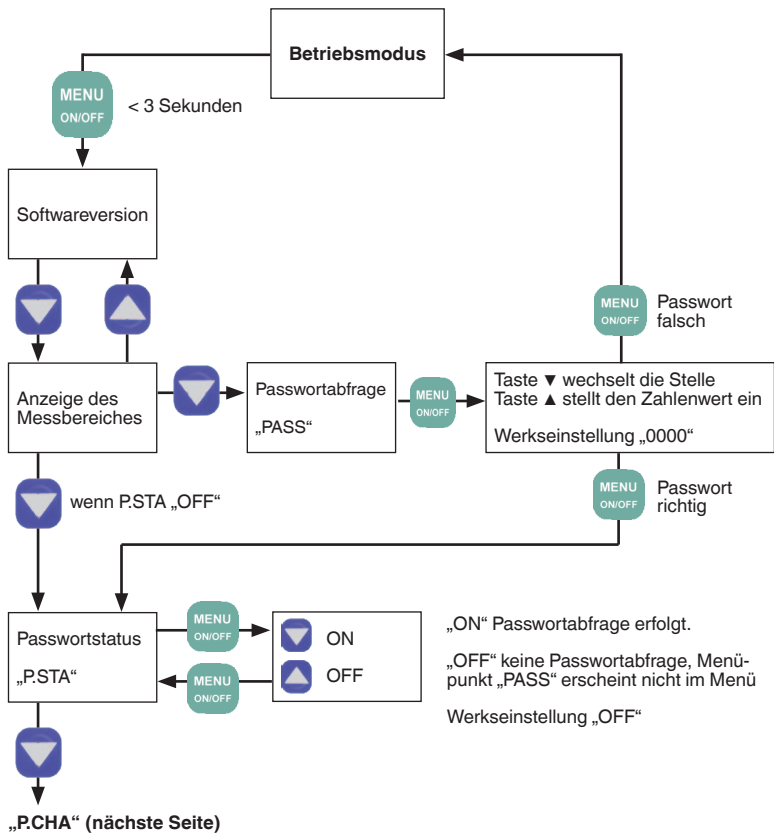
Menüführung im Programmiermodus Typ DG-10-S



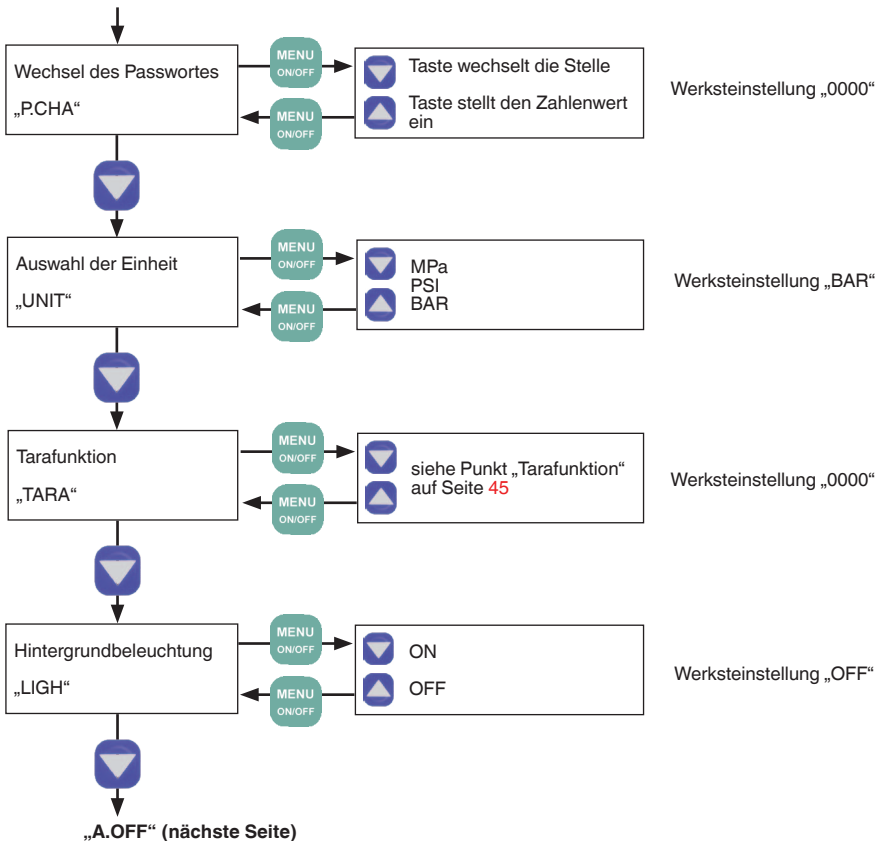
11250313.03.09/2012 GB/D/FE

6. Inbetriebnahme, Betrieb

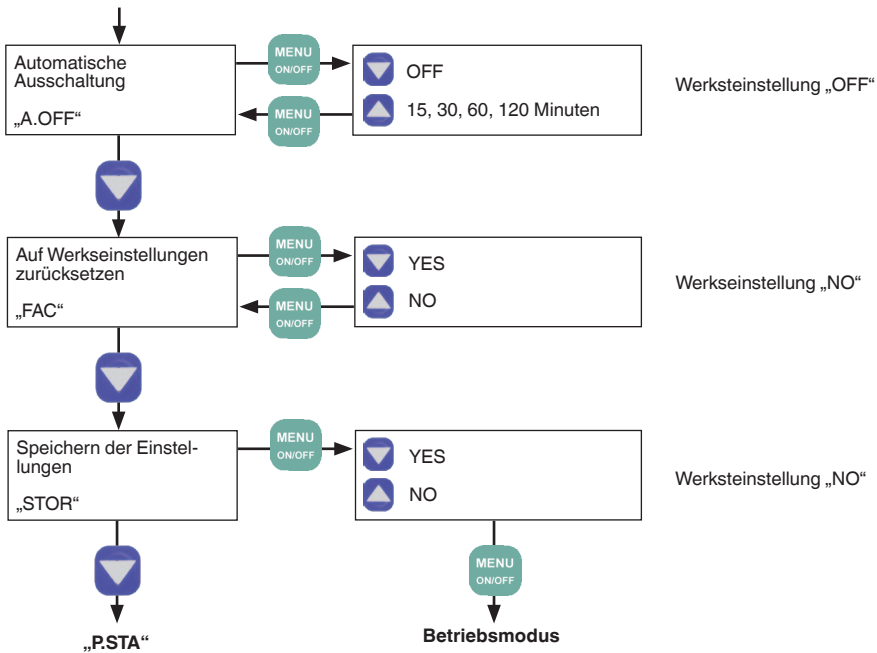
Menüführung im Programmiermodus Typ DG-10-E



6. Inbetriebnahme, Betrieb



6. Inbetriebnahme, Betrieb



7. Wartung und Reinigung

7. Wartung und Reinigung

7.1 Wartung

Das Digitalmanometer ist wartungsfrei.

Reparaturen sind ausschließlich vom Hersteller durchzuführen.

7.2 Reinigung



VORSICHT!

- Vor der Reinigung das Digitalmanometer ordnungsgemäß von der Druckversorgung trennen.
- Das Gerät mit einem feuchten Tuch reinigen.
- Ausgebautes Gerät vor der Rücksendung spülen bzw. säubern, um Personen und Umwelt vor Gefährdung durch anhaftende Messstoffreste zu schützen.
- Messstoffreste in ausgebauten Geräten können zur Gefährdung von Personen, Umwelt und Einrichtung führen.
Ausreichende Vorsichtsmaßnahmen ergreifen.
- Keine spitzen bzw. harten Gegenstände zur Reinigung verwenden.



Hinweise zur Rücksendung des Gerätes siehe Kapitel 9.2 „Rücksendung“.

8. Störungen

8. Störungen

Bei Störungen zuerst überprüfen, ob das Digitalmanometer mechanisch und elektrisch korrekt montiert ist.

D

Störungen	Ursachen	Maßnahmen
Keine Anzeige	Batterien leer	Batterien wechseln
	Batterien falsch gepolt eingelegt	Batterien richtig gepolt einlegen
Anzeige bleibt bei 0, obwohl Druck ansteht	Gerät überdreht	Gerät austauschen
	Sensorleitung abgerissen	
Gleichbleibendes Anzeigesignal bei Druckänderung	Mechanische Überlastung durch Überdruck	Gerät austauschen
Signalspanne zu klein	Mechanische Überlastung durch Überdruck	Gerät austauschen
Signalspanne schwankend	EMV-Störquellen in der Umgebung	Störquellen entfernen
	Zu hohe/niedrige Einsatztemperaturen	Zulässige Temperaturen einhalten
Signalspanne ungenau	Zu hohe/niedrige Einsatztemperaturen	Zulässige Temperaturen einhalten
Abweichendes Nullpunktsignal	Medium- bzw. Umgebungstemperatur zu hoch/niedrig	Zulässige Temperaturen einhalten

Im unberechtigten Reklamationsfall berechnen wir die Reklamationsbearbeitungskosten.



VORSICHT!

Können Störungen mit Hilfe der oben aufgeführten Maßnahmen nicht beseitigt werden, ist das Digitalmanometer unverzüglich außer Betrieb zu setzen, sicherzustellen, dass kein Druck bzw. Signal mehr anliegt und gegen versehentliche Inbetriebnahme zu schützen. In diesem Falle Kontakt mit dem Hersteller aufnehmen. Bei notwendiger Rücksendung die Hinweise unter Kapitel 9.2 „Rücksendung“ beachten.

9. Demontage, Rücksendung und Entsorgung

9. Demontage, Rücksendung und Entsorgung



WARNUNG!

Messstoffreste in ausgebauten Druckmessumformern können zur Gefährdung von Personen, Umwelt und Einrichtung führen.

Ausreichende Vorsichtsmaßnahmen ergreifen.

9.1 Demontage

Digitalmanometer nur im drucklosen Zustand demontieren!

9.2 Rücksendung



WARNUNG!

Beim Versand des Digitalmanometers unbedingt beachten:

Alle an WIKA gelieferten Digitalmanometer müssen frei von Gefahrstoffen (Säuren, Laugen, Lösungen, etc.) sein.

Zur Rücksendung des Gerätes die Originalverpackung oder eine geeignete Transportverpackung verwenden.



Hinweise zur Rücksendung befinden sich in der Rubrik ‚Service‘ auf unserer lokalen Internetseite.

9.3 Entsorgung

Durch falsche Entsorgung können Gefahren für die Umwelt entstehen.

Gerätekomponenten und Verpackungsmaterialien entsprechend den landesspezifischen Abfallbehandlungs- und Entsorgungsvorschriften umweltgerecht entsorgen.

10. Zubehör

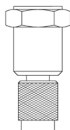
10. Zubehör

D



Gummi-Schutzkappe (schwarz)

Bestell-Nr.
11262010



Minimesse-Anschlussstück

Maximale Druckfestigkeit 630 bar

Bestell-Nr.
9072314



Dichtung für Prozessanschluss nach DIN 3852-E
Werkstoff NBR

Gewindegröße
G ¼ A

Bestell-Nr.
1537857

Anlage 1: EG-Konformitätserklärung Typ DG-10

WIKA

EG-Konformitätserklärung

EC Declaration of Conformity

Dokument Nr.:

Document No.:

11276721.02

11276721.02

Wir erklären in alleiniger Verantwortung, dass die mit CE gekennzeichneten Produkte

We declare under our sole responsibility that the CE marked products

Typ:

Model:

DG-10

DG-10

Beschreibung:

Description:

Digitalmanometer für allgemeine industrielle Anwendungen

Digital gauge for general industrial applications

gemäß gültigem Datenblatt:

according to the valid data sheet:

PE 81.66

PE 81.66

die grundlegenden Schutzanforderungen der folgenden Richtlinie(n) erfüllen:

are in conformity with the essential protection requirements of the directive(s)

2004/108/EG (EMV)
97/23/EG (DGRL)⁽¹⁾

2004/108/EC (EMC)
97/23/EC (PED)⁽¹⁾

Die Geräte wurden entsprechend den folgenden Normen geprüft:

The devices have been tested according to the following standards:

EN 61326-1:2006
EN 61326-2-3:2006

EN 61326-1:2006
EN 61326-2-3:2006

⁽¹⁾ PS > 200 bar; Modul A, druckhaltendes Ausrüstungsteil

⁽¹⁾ PS > 200 bar; Module A, pressure accessory

Unterzeichnet für und im Namen von / Signed for and on behalf of

WIKA Alexander Wiegand SE & Co. KG

Klingenberg, 2011-06-06

Geschäftsbereich / Company division: TRONIC

Qualitätsmanagement / Quality management: TRONIC


Stefan Richter


Steffen Schlesiona

Unterschrift, autorisiert durch das Unternehmen / Signature authorized by the company



D

Sommaire

1. Généralités	58
2. Sécurité	60
3. Spécifications	63
4. Conception et fonction	67
5. Transport, emballage et stockage	67
6. Mise en service, exploitation	68
7. Entretien et nettoyage	79
8. Dysfonctionnements	80
9. Démontage, retour et mise au rebut	81
10. Accessoires	82
Annexe 1: Déclaration de conformité CE type DG-10	109

Déclarations de conformité se trouvent sur www.wika.fr.

1. Généralités

1. Généralités

- Le manomètre digital décrit dans le mode d'emploi est conçu et fabriqué selon les dernières technologies en vigueur. Tous les composants sont soumis à des critères de qualité et d'environnement stricts durant la fabrication. Nos systèmes de gestion sont certifiés selon ISO 9001 et ISO 14001.
- Ce mode d'emploi donne des indications importantes concernant l'utilisation de l'instrument. Il est possible de travailler en toute sécurité avec ce produit en respectant toutes les consignes de sécurité et d'utilisation.
- Respecter les prescriptions locales de prévention contre les accidents et les prescriptions générales de sécurité en vigueur pour le domaine d'application de l'instrument.
- Le mode d'emploi fait partie du produit et doit être conservé à proximité immédiate de l'instrument et être accessible à tout moment pour le personnel qualifié.
- Le personnel qualifié doit, avant de commencer toute opération, avoir lu soigneusement et compris le mode d'emploi.
- La responsabilité du fabricant n'est pas engagée en cas de dommages provoqués par une utilisation non conforme à l'usage prévu, de non respect de ce mode d'emploi, d'utilisation de personnel peu qualifié de même qu'en cas de modifications de l'instrument effectuées par l'utilisateur.
- Les conditions générales de vente mentionnées dans les documents de vente s'appliquent.
- Sous réserve de modifications techniques.
- Pour obtenir d'autres informations :
 - Consulter notre site internet : www.wika.fr
 - Fiche technique correspondante : PE 81.66
 - Conseiller applications :
 - Tel. : (+33) 1 343084-84
 - Fax : (+33) 1 343084-94
 - E-Mail : info@wika.fr

F

1. Généralités

Explication des symboles



AVERTISSEMENT !

... indique une situation présentant des risques susceptibles de provoquer la mort ou des blessures graves si elle n'est pas évitée.



ATTENTION !

... indique une situation potentiellement dangereuse et susceptible de provoquer de légères blessures ou des dommages matériels et pour l'environnement si elle n'est pas évitée.



Information

... met en exergue les conseils et recommandations utiles de même que les informations permettant d'assurer un fonctionnement efficace et normal.

F

2. Sécurité

2. Sécurité



AVERTISSEMENT !

Avant le montage, la mise en service et le fonctionnement, s'assurer que le manomètre digital a été choisi de façon adéquate, en ce qui concerne la plage de mesure, la version et les conditions de mesure spécifiques.

Un non-respect de cette consigne peut entraîner des blessures corporelles graves et/ou des dégâts matériels.

F



AVERTISSEMENT !

- N'ouvrez les connexions qu'après que le système ait été dépressurisé.
- Observez les conditions de fonctionnement conformément au chapitre 3 "Spécifications".
- Utilisez toujours le manomètre digital en respectant les limites de surpression.



Vous trouverez d'autres consignes de sécurité dans les sections individuelles du présent mode d'emploi.

2.1 Utilisation conforme à l'usage prévu

Le manomètre digital affiche la pression appliquée. La valeur de la pression est affichée au moyen d'un afficheur digital.

L'instrument est conçu et construit exclusivement pour une utilisation conforme à l'usage prévu décrit ici et ne doit être utilisé qu'en conséquence.

Les spécifications techniques mentionnées dans ce mode d'emploi doivent être respectées. En cas d'utilisation inadéquate ou de fonctionnement du manomètre digital en dehors des spécifications techniques, un arrêt et contrôle doivent être immédiatement effectués par un collaborateur autorisé du service de WIKA.

Aucune réclamation ne peut être recevable en cas d'utilisation non conforme à l'usage prévu.

2. Sécurité

2.2 Qualification du personnel



AVERTISSEMENT !

Danger de blessure en cas de qualification insuffisante !

Une utilisation non conforme peut entraîner d'importants dommages corporels et matériels. Les opérations décrites dans ce mode d'emploi ne doivent être effectuées que par un personnel ayant la qualification décrite ci-après.

Personnel qualifié

Le personnel qualifié est, en raison de sa formation spécialisée, de ses connaissances dans le domaine de la technique de mesure et de régulation et de ses expériences de même que de sa connaissance des prescriptions nationales, des normes et directives en vigueur, en mesure d'effectuer les travaux décrits et de reconnaître automatiquement les dangers potentiels.

Les conditions d'utilisation spéciales exigent également une connaissance adéquate par exemple des liquides agressifs.

2.3 Dangers particuliers



AVERTISSEMENT !

Dans le cas de fluides de mesure dangereux comme notamment l'oxygène, l'acétylène, les substances combustibles ou toxiques, ainsi que dans le cas d'installations de réfrigération, de compresseurs etc., les directives appropriées existantes doivent être observées en plus de l'ensemble des règles générales.



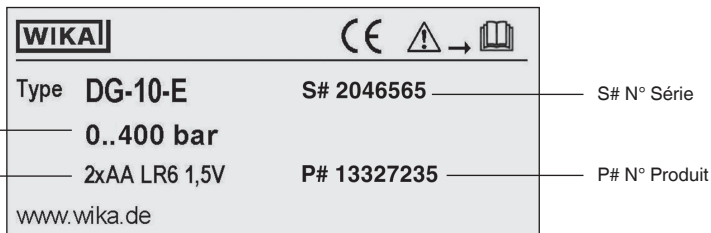
AVERTISSEMENT !

Les restes de fluides se trouvant dans le manomètre digital démonté peuvent mettre en danger les personnes, l'environnement ainsi que l'installation. Prendre des mesures de sécurité suffisantes.

2. Sécurité

2.4 Etiquetage / marquages de sécurité

Plaque signalétique



Si le numéro de série devient illisible à cause de dommages mécaniques ou de peinture, aucune traçabilité n'est plus possible.

Explication des symboles



Lire impérativement le mode d'emploi avant le montage et la mise en service de l'instrument !



CE, Communauté Européenne

Les instruments avec ce marquage sont conformes aux directives européennes pertinentes.

3. Spécifications

3. Spécifications

3.1 Etendues de mesure

Pression relative

bar	Etendue de mesure	0 ... 2	0 ... 5	0 ... 10	0 ... 20	0 ... 50	0 ... 100
	Limite de surpression	5	10	20	40	100	200
	Pression d'éclatement	6	12	25	50	120	800
	Etendue de mesure	0 ... 160	0 ... 250	0 ... 400	0 ... 600		
	Limite de surpression	320	500	800	1.200		
	Pression d'éclatement	1.000	1.200	1.700	2.400		
psi	Etendue de mesure	0 ... 30	0 ... 60	0 ... 145	0 ... 300	0 ... 600	0 ... 1.450
	Limite de surpression	70	145	290	580	1.450	2.900
	Pression d'éclatement	85	170	360	725	1.740	11.600
	Etendue de mesure	0 ... 2.000	0 ... 3.000	0 ... 5.000	0 ... 7.500	0 ... 10.000¹⁾	
	Limite de surpression	4.640	7.250	11.600	17.400	21.750	
	Pression d'éclatement	14.500	17.400	24.650	34.800	43.500	

1) uniquement possible avec DG-10-E (DG-10-S ne peut afficher que jusqu'à 9999 psi)

Vide et étendues de mesure +/-

bar	Etendue de mesure	-1 ... +2	-1 ... +5	-1 ... +10
	Limite de surpression	5	10	20
	Pression d'éclatement	6	12	25
psi	Etendue de mesure	-30 inHg ... +29 psi	-30 inHg ... +72 psi	-30 inHg ... +145 psi
	Limite de surpression	70	145	290
	Pression d'éclatement	85	170	360

3. Spécifications

3.2 Afficheur

Voir chapitre 6.3 "Description de l'afficheur"

3.3 Fonctions logicielle

Voir chapitre 6.4 "Touches et fonctions"

3.4 Homologations, directives et certificats

F

Conformité CE

- Directive 97/23/CE relative aux équipements sous pression, PS > 200 bars ; module A, accessoire sous pression
- Directive CEM 2004/108/CE, EN61326 émission (groupe 1, classe B) et résistance aux perturbations (domaine industriel)

3.5 Tension d'alimentation

voir chapitre 6.2 "Tension d'alimentation"

3.6 Conditions de référence

Température

0 ... 60 °C

Pression atmosphérique

860 ... 1.060 mbar

Humidité

< 90 % rel., sans condensation

Position nominale

Calibré en position de montage verticale avec la connexion de pression regardant vers le bas.

Alimentation

2 piles 1,5 V AA

3. Spécifications

3.6 Précision

Précision aux conditions de référence

$\leq \pm 0,5 \%$ de l'échelle ± 1 chiffre

Incluant la non-linéarité, l'hystérésis, les déviations du point zéro et de valeur finale (correspond à l'erreur de mesure selon CEI 61298-2).

Erreur zéro pour le signal zéro

$\leq 0,1 \%$ de l'échelle (réinitialisation à la mise sous tension)

Possibilité de réglage du point zéro

$\leq 20 \%$ de l'échelle (via fonction tare avec type DG-10-E)

Erreur de température sur la plage de 0 ... 60°C

- Coefficient de température moyen du point zéro
 $\leq \pm 0,15 \%$ de l'échelle/10 K
- Coefficient de température moyen de l'échelle
 $\leq \pm 0,15 \%$ de l'échelle/10 K

Stabilité à long terme

$\leq 0,2 \%$ de l'échelle par an

F

3. Spécifications

3.7 Conditions de fonctionnement

Indice de protection (selon CEI 60529)

IP 65

Températures

- Fluide :
 - Etendue de mesure < 100 bar : - 30 ... +85 °C
 - Etendue de mesure ≥ 100 bar : - 30 ... +100 °C
- Ambiante : - 10 ... +60 °C
- Stockage : - 20 ... +70 °C

3.8 Matériaux

Parties en contact avec le fluide

- Raccord process : Acier inox 1.4571
- Capteur ≤ 50 bar : Céramique Al₂O₃ 96 %
NBR (option: EPDM)
- Capteur > 100 bar : XM-13 (acier inox 1.4534)

Parties non en contact avec le fluide

- Boîtier : Acier inox 1.4301
- Feuille avant et membrane : polyester

Pour les numéros de type spéciaux, par exemple DG-10000, prière de tenir compte des spécifications figurant sur la notice de livraison.

Pour de plus amples spécifications, voir la fiche technique WIKA PE 81.66 et la documentation de commande.

4. Conception et fonction / 5. Transport, emballage et stockage

4. Conception et fonction

4.1 Description

La pression actuelle est mesurée au niveau de l'élément capteur au moyen de la déformation d'une membrane. L'alimentation électrique convertit cette déformation de la membrane en un signal électrique. Ce signal s'affiche sur un afficheur.

4.2 Détail de la livraison

Comparer le détail de la livraison avec le bordereau de livraison.

F

5. Transport, emballage et stockage

5.1 Transport

Vérifier s'il existe des dégâts sur le manomètre digital liés au transport.
Communiquer immédiatement les dégâts constatés.

5.2 Emballage

N'enlever l'emballage qu'avant le montage.

Conserver l'emballage, celui-ci offre, lors d'un transport, une protection optimale (par ex. changement de lieu d'utilisation, renvoi pour réparation).

5.3 Stockage

Conditions admissibles sur le lieu de stockage :

- Température de stockage : -20 ... +70°C
- Humidité : < 90 % rel., (sans condensation)



AVERTISSEMENT !

Enlevez tous les restes de fluides adhérents avant l'entreposage du manomètre digital (après le fonctionnement). Ceci est particulièrement important lorsque le fluide représente un danger pour la santé, comme p. ex. des substances corrosives, toxiques, cancérigènes, radioactives etc..

6. Mise en service, exploitation

6. Mise en service, exploitation



ATTENTION !

Avant la mise en service, le manomètre digital doit être soumis à un contrôle visuel. Le manomètre digital ne doit être utilisé qu'en parfait état de sécurité technique.



Outil requis : clé à fourche (clé d'une largeur de 27)

6.1 Montage mécanique

- Les surfaces d'étanchéité sur l'instrument doivent être non-endommagées et propres.
- Lors du vissage de l'instrument, le couple de serrage ne doit pas être appliqué sur le boîtier mais seulement sur les surfaces prévues et ce avec un outil approprié.

Le couple correct dépend des dimensions du raccord process et du joint utilisé (forme/matériau).

Ne serrez pas trop le raccord process, ne dépassez pas les couples de serrage autorisés.

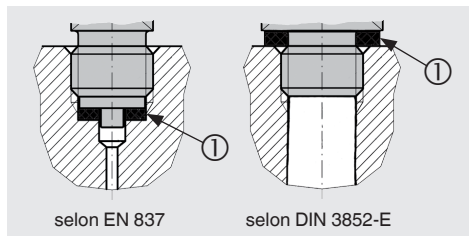
- Lorsque vous vissez, ne pas croiser les filets.
- Pour obtenir des informations concernant les trous taraudés et les embases à souder, voir les Informations techniques IN 00.14 sur www.wika.fr.



6. Mise en service, exploitation

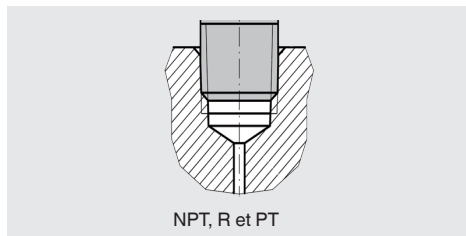
Joint d'étanchéité du raccord process

Filetage parallèle



Pour assurer l'étanchéité des raccords process avec filetages parallèles à la surface d'étanchéité ①, il faut utiliser des joints plats, des bagues d'étanchéité ou les joints à écrasement WIKA.

Filetages coniques



Pour des raccords process avec filetages coniques, l'étanchéité sur le filetage doit se faire en utilisant en plus un matériau d'étanchéité comme par exemple la bande PTFE (selon EN 837-2).

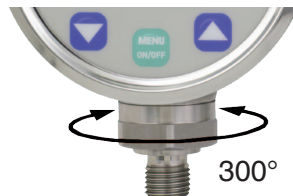


Pour plus d'informations sur les joints, voir la Fiche technique WIKA AC 09.08 ou consulter www.wika.fr

Capacité de rotation du boîtier

Le boîtier du type DG-10-E peut pivoter à 300°, l'affichage pouvant ainsi être lu dans pratiquement toutes les positions.

Ne forcez pas la rotation du boîtier au delà du point d'arrêt.



6. Mise en service, exploitation

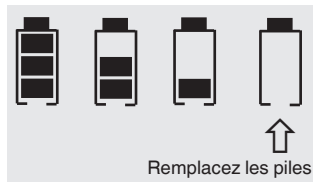
6.2 Tension d'alimentation

L'alimentation électrique du manomètre digital est assurée par deux piles 1,5 V AA.
L'autonomie est d'environ 4.000 heures avec des piles d'une capacité de 2.000 mAh.

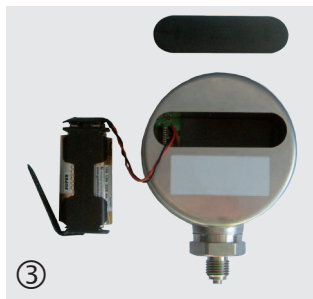
Etat de la batterie

L'état de la batterie est indiqué par le symbole représentant une batterie présent sur l'affichage (voir chapitre 6.3 "Description de l'afficheur").

Remplacez les piles comme suit lorsque le symbole Batterie ne compte plus de barres et clignote.



Retirez le couvercle.



Retirez le compartiment à piles à l'aide de la languette et remplacez les piles.

Procédez dans l'ordre inverse pour remettre l'instrument en état de marche.

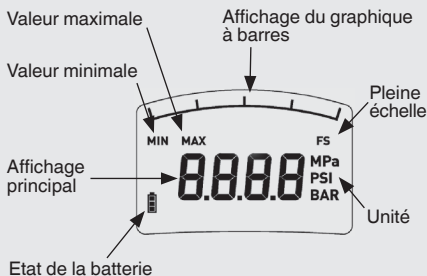
6. Mise en service, exploitation

6.3 Description de l'afficheur

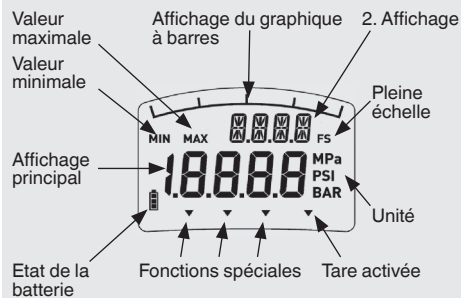
	Type DG-10-S	Type DG-10-E
Type d'indication	LCD en 7 segments	LCD en 7 segments LCD en 14 segments (2. Affichage)
■ Chiffres	4 chiffres	4 ½ chiffres
■ Taille des caractères	11 mm	11 mm et 7 mm
■ Plage d'indication	-1999 ... 9999	-1999 ... 19999
■ Mise à jour	200 ms	200 ms
■ Rétro-éclairage	non	Oui
■ Graphique à barres avec fonction Aiguille suiveuse	Oui	Oui
■ Capacité de rotation	non	300°

F

Type DG-10-S



Type DG-10-E



6. Mise en service, exploitation

Rétro-éclairage (type DG-10-E)

Le type DG-10-E dispose d'une fonction de rétroéclairage afin de faciliter la lecture de l'affichage, même en cas de mauvaises conditions de luminosité.

Appuyez sur n'importe quelle touche, l'affichage s'éclaire pendant 7 secondes.

F

Le rétroéclairage peut être activé et désactivé à partir de l'élément de menu "LIGHT", voir chapitre 6.4 "Navigation à menus en mode programmation, type DG-10-E".



6.4 Touches et fonctions

Fonction	Type DG-10-S	Type DG-10-E
Mémoire MIN/MAX	Oui	Oui
Mise hors tension automatique	non	15, 30, 60, 120 minutes
Fonction tare	non	Oui
Changement d'unités	bar, psi, MPa	bar, psi, MPa
Protection du mot de passe	non	Oui
Retour aux réglages d'usine	non	Oui

Affichage par graphique à barres avec fonction Aiguille suiveuse

Le graphique à barre intégré avec fonction Aiguille suiveuse de l'affichage indique directement la tendance de la pression actuelle, indépendamment de l'afficheur. En utilisant la fonction Aiguille suiveuse, la valeur de mémoire max. s'affiche également dans le graphique à barres sous la forme d'un segment de barre, ainsi que sur l'afficheur. Lorsque la valeur MIN/MAX est remise à zéro, ce graphique à barres est mis à jour à la valeur mesurée actuelle.

6. Mise en service, exploitation

Mémoire MIN/MAX

La mémoire MIN/MAX est réinitialisée à la valeur mesurée actuelle à chaque cycle de mesure.

Fonction tare "TARE" (type DG-10-E)

Dans ce mode, la déviation positive de la valeur mesurée par rapport à la valeur cible (max. 20 % de la plage de mesure) apparaît sur l'affichage principal. La valeur non tarée apparaît sur l'affichage par graphique à barres, vous pouvez ainsi toujours lire l'utilisation actuelle du manomètre digital.

Les possibilités suivantes peuvent être activées pour la fonction tare :

- Sélectionnez la fonction tare via l'élément de menu "TARE". Utilisez les touches à flèche pour ajuster la valeur à tarer. La valeur ajustée à tarer sera enregistrée dans la mémoire comme tare.
- Chargez dans le manomètre digital la pression à tarer. L'affichage principal affiche la valeur mesurée actuelle. Via le menu, sélectionnez la fonction tare, "TARE", et pressez simultanément les deux touches à flèche. La valeur mesurée actuelle sera enregistrée comme tare. L'affichage principal et l'affichage secondaire seront réglés sur "0000".

La fonction tare peut être réinitialisée dans les deux cas en réglant la valeur de tare sur "0000".

F

6. Mise en service, exploitation

Fonction clé en mode de fonctionnement



- Met le manomètre digital en service ou hors service.
- Fait passer l'instrument en mode programmation (appuyez pendant plus de 3 secondes).



Lorsque la touche est enfoncée, l'affichage indique la valeur max.



Lorsque la touche est enfoncée, l'affichage indique la valeur min.



Remet la valeur max. à 0.

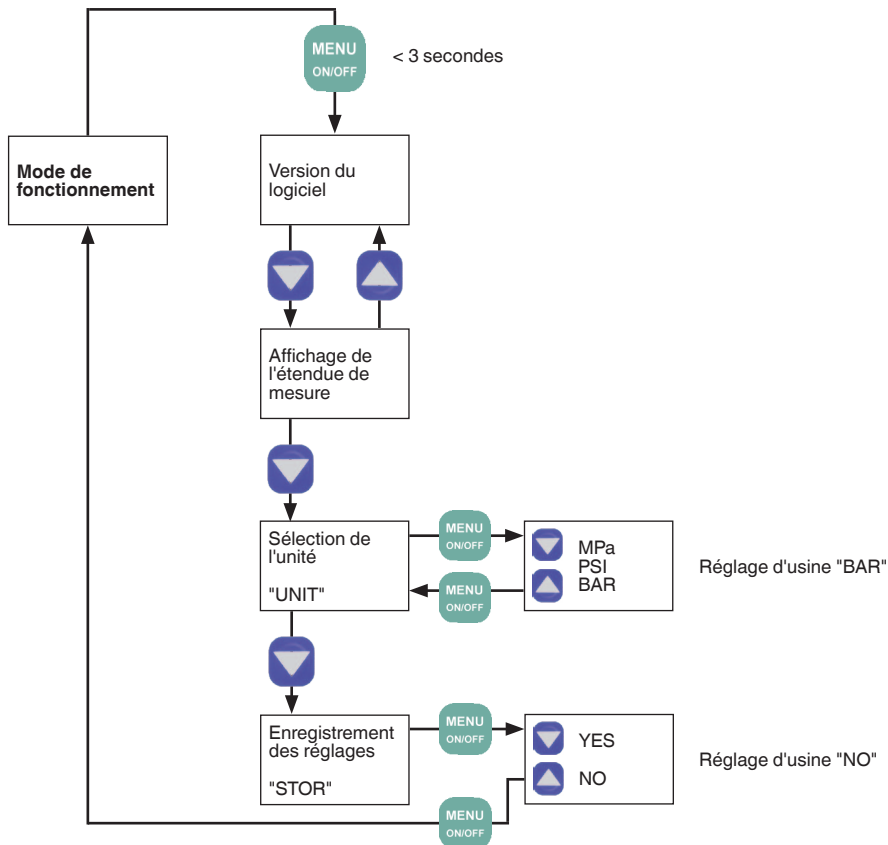


Remet la valeur min. à 0.

F

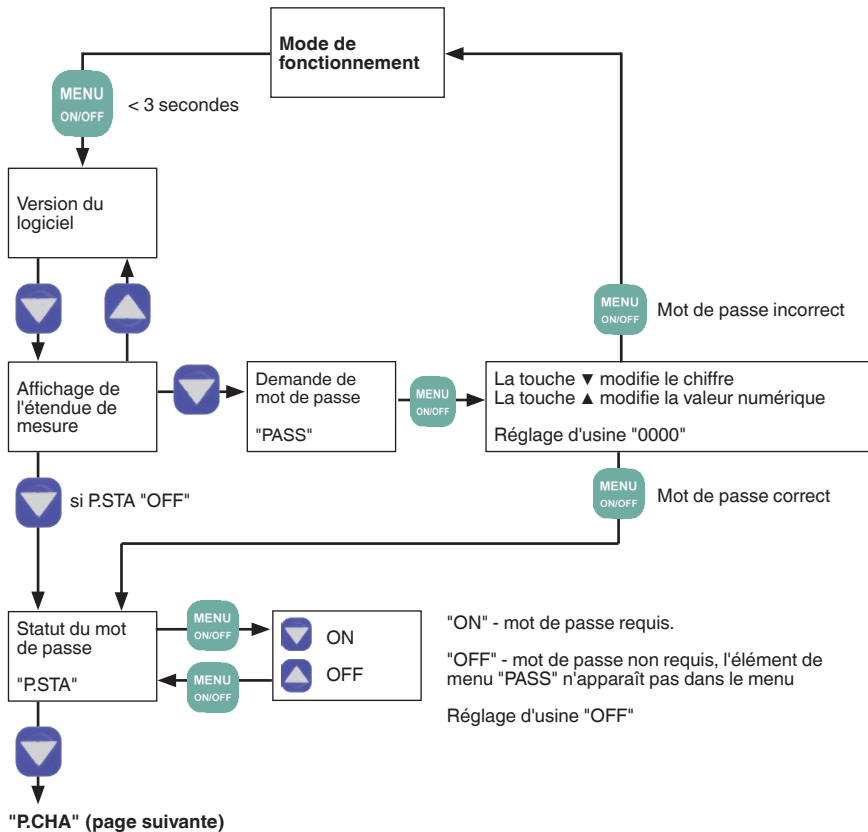
6. Mise en service, exploitation

Navigation à menus en mode programmation, type DG-10-S

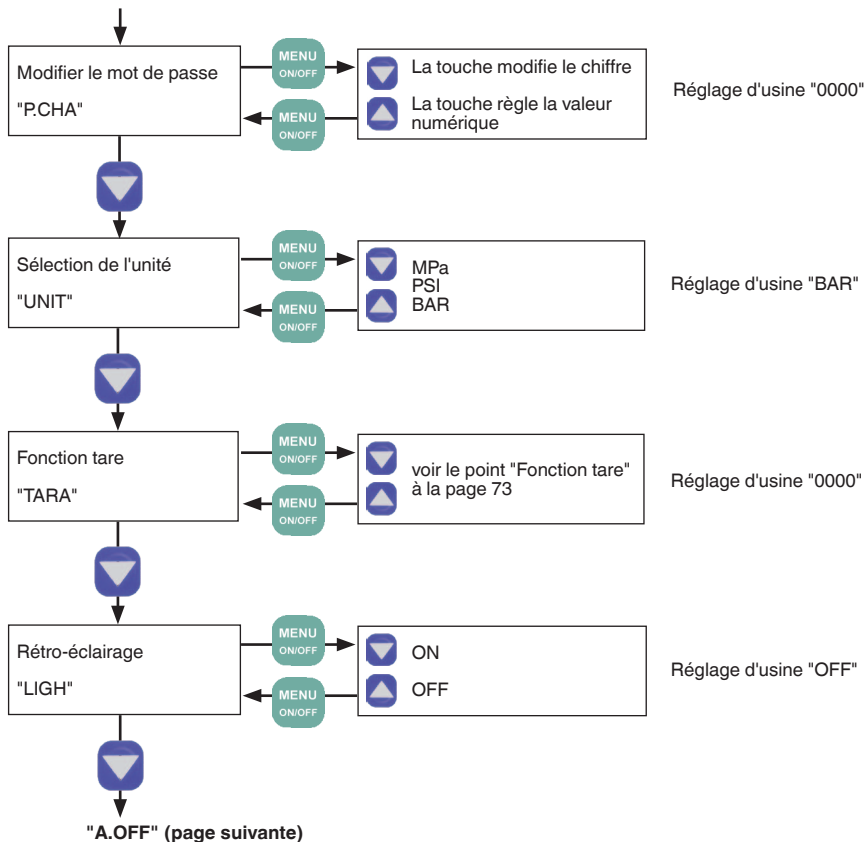


6. Mise en service, exploitation

Navigation à menus en mode programmation, type DG-10-E

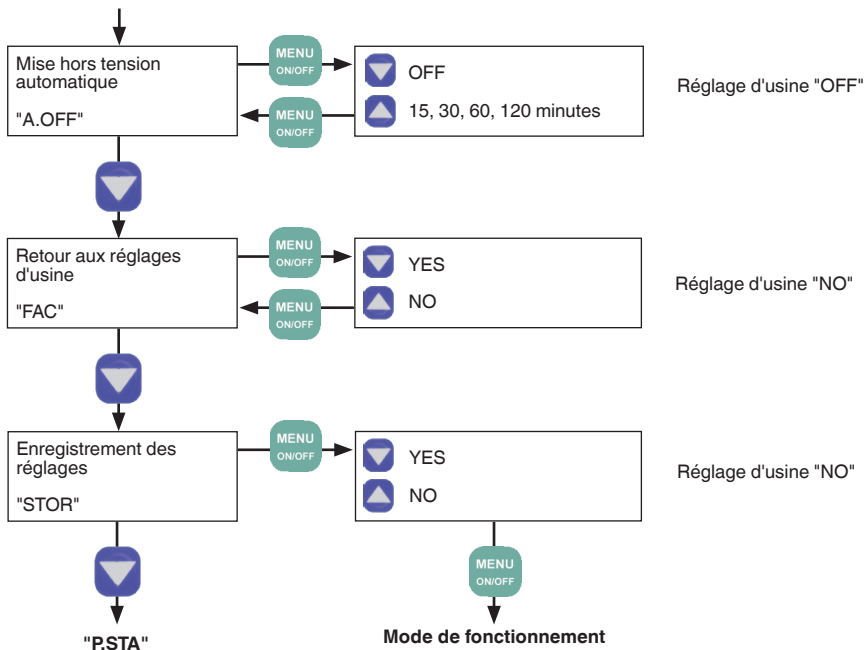


6. Mise en service, exploitation



F

6. Mise en service, exploitation



7. Entretien et nettoyage

7. Entretien et nettoyage

7.1 Entretien

Le manomètre digital est sans entretien.

Les réparations ne doivent être effectuées que par le fabricant.

7.2 Nettoyage



ATTENTION !

- Avant le nettoyage, débrancher correctement le manomètre digital de l'alimentation.
- Nettoyer l'instrument avec un chiffon humide.
- Laver ou nettoyer l'instrument démonté avant de le renvoyer, afin de protéger des personnes et l'environnement contre le danger lié aux restes de fluides adhérents.
- Les restes de fluides se trouvant dans des appareils démontés peuvent mettre en danger les personnes, l'environnement ainsi que l'installation. Prendre des mesures de sécurité suffisantes.
- Ne pas utiliser d'objets pointus ou durs pour le nettoyage.



Indications concernant le retour de l'appareil, voir chapitre 9.2 "Retour".

F

8. Dysfonctionnements

8. Dysfonctionnements

Dans le cas de pannes, vérifier d'abord si le manomètre digital est monté correctement, mécaniquement et électriquement.

Dysfonctionnements	Raisons	Mesures
Pas d'affichage	Les piles sont déchargées	Remplacez les piles
	Les piles sont insérées de manière incorrecte	Insérez les piles en respectant la polarité
L'affichage reste sur 0, malgré la présence de pression	Le réglage de l'instrument est incorrect	Remplacez l'instrument
	Un fil de capteur est cassé	
Signal d'affichage constant en cas de changement de pression	Surcharge mécanique causée par une surpression	Remplacez l'instrument
Echelle de signaux trop petite	Surcharge mécanique causée par une surpression	Remplacez l'instrument
Le signal de sortie varie	Sources d'interférence CEM dans l'environnement	Supprimez les sources d'interférences
	Température de fonctionnement trop élevée/trop basse	Respectez les températures admissibles
La plage de signaux n'est pas précis	Température de fonctionnement trop élevée/trop basse	Respectez les températures admissibles
Déviations du signal de point zéro	Température moyenne ou ambiante trop élevée/trop basse	Respectez les températures admissibles

Si la réclamation n'est pas justifiée, nous vous facturerons les frais de traitement de la réclamation.



ATTENTION !

Si des dysfonctionnements ne peuvent pas être éliminés à l'aide des mesures indiquées ci-dessus, arrêter immédiatement le manomètre digital et s'assurer de l'absence de pression et/ou de signal. Puis, sécuriser l'instrument afin d'empêcher toute remise en service involontaire. Contacter dans ce cas le fabricant. S'il est nécessaire de retourner l'instrument au fabricant, respecter les indications mentionnées au chapitre 9.2 "Retour".

9. Démontage, retour et mise au rebut

9. Démontage, retour et mise au rebut



AVERTISSEMENT !

Les restes de fluides se trouvant dans les transmetteurs de pression démontés peuvent mettre en danger les personnes, l'environnement ainsi que l'installation. Prendre des mesures de sécurité suffisantes.

9.1 Démontage

Démontez le manomètre digital uniquement qu'en état exempt de pression !

F

9.2 Retour



AVERTISSEMENT !

En cas d'envoi du manomètre digital, il faut respecter impérativement ceci :

Tous les manomètres digitaux de pression envoyés à WIKA doivent être exempts de toute substance dangereuse (acides, solutions alcalines, solutions, etc.).

Pour retourner l'instrument, utiliser l'emballage original ou un emballage adapté pour le transport.



Des informations relatives à la procédure de retour de produit(s) défectueux sont disponibles sur notre site internet au chapitre "Services".

9.3 Mise au rebut

Une mise au rebut inadéquate peut entraîner des dangers pour l'environnement.

Éliminer les composants des instruments et les matériaux d'emballage conformément aux prescriptions nationales pour le traitement et l'élimination des déchets et aux lois de protection de l'environnement en vigueur.

10. Accessoires

10. Accessoires

Description

Code d'article



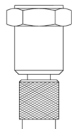
Capuchon de protection en caoutchouc (noir)

11262010

Connecteur Minimes

9072314

Résistance à la pression maximale 630 bars



Joint d'étanchéité pour raccord process selon DIN 3852-E

Matériau NBR

1537857

Taille du filetage

G 1/4 A



F

Contenido

1. Información general	84
2. Seguridad	86
3. Datos técnicos	89
4. Diseño y función	93
5. Transporte, embalaje y almacenamiento	93
6. Puesta en servicio, funcionamiento	94
7. Mantenimiento y limpieza	105
8. Errores	106
9. Desmontaje, devolución y eliminación de residuos	107
10. Accesorios	108
Anexo 1: Declaración CE de conformidad modelo DG-10	109

Declaraciones de conformidad puede encontrar en www.wika.es.

1. Información general

1. Información general

- El manómetro digital descrito en el manual de instrucciones está construido y fabricado según el estado actual de la técnica. Todos los componentes están sujetos a rigurosos criterios de calidad y medio ambiente durante la producción. Nuestros sistemas de gestión están certificados según ISO 9001 e ISO 14001.
- Este manual de instrucciones proporciona indicaciones importantes acerca del manejo del instrumento. Para que el trabajo con este instrumento sea seguro es imprescindible cumplir con todas las instrucciones de seguridad y manejo indicadas.
- Cumplir siempre las normativas sobre la prevención de accidentes y las normas de seguridad en vigor en el lugar de utilización del instrumento.
- El manual de instrucciones es una parte integrante del instrumento y debe guardarse en la proximidad del mismo para que el personal especializado pueda consultarlo en cualquier momento.
- El personal especializado debe haber leído y entendido el manual de instrucciones antes de comenzar cualquier trabajo.
- El fabricante queda exento de cualquier responsabilidad en caso de daños causados por un uso no conforme a la finalidad prevista, la inobservancia del presente manual de instrucciones, un manejo por personal insuficientemente cualificado así como una modificación no autorizada del instrumento.
- Se aplican las condiciones generales de venta incluidas en la documentación de venta.
- Modificaciones técnicas reservadas.
- Para obtener más informaciones consultar:
 - Página web: www.wika.es
 - Hoja técnica correspondiente: PE 81.66
 - Servicio técnico:
 - Tel.: (+34) 933 938-630
 - Fax: (+34) 933 938-666
 - E-Mail: info@wika.es

1. Información general

Explicación de símbolos



¡ADVERTENCIA!

... indica una situación probablemente peligrosa que puede causar la muerte o lesiones graves si no se la evita.



¡CUIDADO!

... indica una situación probablemente peligrosa que puede causar lesiones leves o medianas, o daños materiales y medioambientales, si no se la evita.



Información

... marca consejos y recomendaciones útiles así como informaciones para una utilización eficaz y libre de errores.

2. Seguridad

2. Seguridad



¡ADVERTENCIA!

Antes del montaje, la puesta servicio y el funcionamiento asegurarse de que se haya seleccionado el manómetro digital adecuado con respecto a rango de medida, versión y condiciones de medición específicas.

Riesgo de lesiones graves y/o daños materiales en caso de inobservancia.



¡ADVERTENCIA!

- Abrir las conexiones sólo cuando no estén sometidas a presión.
- Tener en cuenta los parámetros de servicio según el capítulo 3 "Datos técnicos".
- Operar el manómetro digital únicamente dentro de los límites de presión admisibles.



Los distintos capítulos de este manual de instrucciones contienen otras importantes indicaciones de seguridad.

2.1 Uso conforme a lo previsto

El manómetro digital sirve para mostrar la presión aplicada. El valor de presión se visualiza a través de un indicador digital.

El instrumento ha sido diseñado y construido únicamente para la finalidad aquí descrita y debe utilizarse en conformidad a la misma.

Cumplir las especificaciones técnicas de este manual de instrucciones. Un manejo no apropiado o una utilización del manómetro digital no conforme a las especificaciones técnicas requiere la inmediata puesta fuera de servicio y la comprobación por parte de un técnico autorizado por WIKA.

No se admite ninguna reclamación debido a una utilización no conforme a lo previsto.

2. Seguridad

2.2 Cualificación del personal



¡ADVERTENCIA!

¡Riesgo de lesiones debido a una insuficiente cualificación!

Un manejo no adecuado puede causar considerables daños personales y materiales. Las actividades descritas en este manual de instrucciones deben realizarse únicamente por personal especializado con la cualificación correspondiente.

Personal especializado

Debido a su formación profesional, a sus conocimientos de la técnica de regulación y medición así como a su experiencia y su conocimiento de las normativas, normas y directivas vigentes en el país de utilización el personal especializado es capaz de ejecutar los trabajos descritos y reconocer posibles peligros por sí solo.

Algunas condiciones de uso específicas requieren conocimientos adicionales, p. ej. acerca de medios agresivos.

2.3 Riesgos específicos



¡ADVERTENCIA!

En el caso de sustancias peligrosas a medir, como p. ej. oxígeno, acetileno, sustancias inflamables o tóxicas, así como en instalaciones de refrigeración, compresores, etc., deben observarse en cada caso, además de todas las reglas generales, las disposiciones pertinentes.



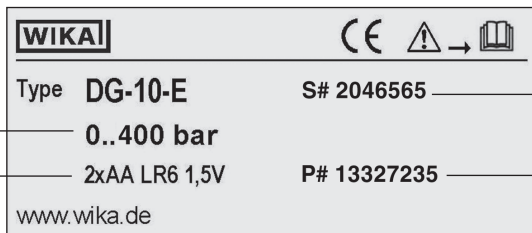
¡ADVERTENCIA!

Medios residuales en manómetros digitales desmontados pueden causar riesgos para personas, medio ambiente e instalación. Tomar adecuadas medidas de precaución.

2. Seguridad

2.4 Rótulos / Marcados de seguridad

Placa indicadora de modelo



E

Rango de medida

Alimentación auxiliar

S# nº de serie

P# nº de artículo

Si el número de serie queda ilegible por daños mecánicos o tras pintar por encima, ya no se puede mantener la trazabilidad.

Explicación de símbolos



¡Es absolutamente necesario leer el manual de instrucciones antes del montaje y la puesta en servicio del instrumento!



CE, Communauté Européenne

Los instrumentos con este marcaje cumplen las directivas europeas aplicables.

3. Datos técnicos

3. Datos técnicos

3.1 Rangos de medida

Presión relativa

bar	Rango de medida	0 ... 2	0 ... 5	0 ... 10	0 ... 20	0 ... 50	0 ... 100
	Límite de presión de sobrecarga	5	10	20	40	100	200
	Presión de estallido	6	12	25	50	120	800
	Rango de medida	0 ... 160	0 ... 250	0 ... 400	0 ... 600		
	Límite de presión de sobrecarga	320	500	800	1.200		
	Presión de estallido	1.000	1.200	1.700	2.400		
psi	Rango de medida	0 ... 30	0 ... 60	0 ... 145	0 ... 300	0 ... 600	0 ... 1.450
	Límite de presión de sobrecarga	70	145	290	580	1.450	2.900
	Presión de estallido	85	170	360	725	1.740	11.600
	Rango de medida	0 ... 2.000	0 ... 3.000	0 ... 5.000	0 ... 7.500	0 ... 10.000¹⁾	
	Límite de presión de sobrecarga	4.640	7.250	11.600	17.400	21.750	
	Presión de estallido	14.500	17.400	24.650	34.800	43.500	

1) solo posible con DG-10-E (DG-10-S solo puede mostrar hasta 9999 psi)

Rangos de vacío y de medida +/-

bar	Rango de medida	-1 ... +2	-1 ... +5	-1 ... +10
	Límite de presión de sobrecarga	5	10	20
	Presión de estallido	6	12	25
psi	Rango de medida	-30 inHg ... +29 psi	-30 inHg ... +72 psi	-30 inHg ... +145 psi
	Límite de presión de sobrecarga	70	145	290
	Presión de estallido	85	170	360

3. Datos técnicos

3.2 Indicador digital

Véase capítulo 6.3 "Descripción del indicador digital"

3.3 Funciones del software

Véase capítulo 6.4 "Teclas y funciones"

3.4 Homologaciones, directivas y certificados

Conformidad CE

- Directiva de equipos a presión 97/23/CE, PS > 200 bar; módulo A, accesorio a presión
- Directiva de EMC 2004/108/CE, EN 61326 emisión (grupo 1, clase B) y resistencia a interferencias (ámbito industrial)

3.5 Alimentación de corriente

véase capítulo 6.2 "Alimentación de corriente"

3.6 Condiciones de referencia

Temperatura

0 ... 60 °C

Presión atmosférica

860 ... 1.060 mbar

Humedad atmosférica

< 90 % relativa, sin condensación

Posición nominal

Calibrado en posición vertical con la conexión a presión hacia abajo.

Alimentación auxiliar

2 pilas AA de 1,5 V

3. Datos técnicos

3.6 Precisión

Precisión en las condiciones de referencia

$\leq \pm 0,5 \%$ del span ± 1 dígito

Incluye alinealidad, histéresis, error punto cero y valor final (corresponde a desviación de valor de medida según IEC 61298-2).

Precisión de ajuste de la señal cero

$\leq 0,1 \%$ del span (restablecimiento de encendido)

Punto cero ajustable

$\leq 20 \%$ del span (mediante función Tara en modelo DG-10-E)

Error de temperatura a 0 ... 60 °C

- Coeficiente de temperatura medio del punto cero
 $\leq 0,15 \%$ del span/10 K
- Coeficiente de temperatura medio del span
 $\leq 0,15 \%$ del span/10 K

Estabilidad a largo plazo

$\leq 0,2 \%$ del span/año

3. Datos técnicos

3.7 Condiciones de utilización

Tipo de protección (según IEC 60529)

IP 65

Temperaturas

- Medio:
 - Rango de medida < 100 bar: -30 ... +85 °C
 - Rango de medida ≥ 100 bar: -30 ... +100 °C
- Ambiente: -10 ... +60 °C
- Almacenamiento: -20 ... +70 °C

3.8 Materiales

Piezas en contacto con el medio

- Conexión a proceso: Acero inoxidable 1.4571
- Sensor ≤ 50 bar: Cerámica Al₂O₃ 96 %
NBR (Opción: EPDM)
- Sensor > 100 bar: XM-13 (Acero inoxidable 1.4534)

Piezas sin contacto con el medio

- Caja: Acero inoxidable 1.4301
- Cara frontal y disco: Poliéster

Observar las especificaciones en el albarán para números de tipos especiales, p. ej. DG-10000.
Para más datos técnicos véase la hoja técnica de WIKA PE 81.66 y la documentación de pedido.

4. Diseño y función / 5. Transporte, embalaje ...

4. Diseño y función

4.1 Descripción

La presión actual se deduce mediante la deformación de la membrana en el elemento sensor. Con alimentación auxiliar, esta deformación de la membrana se transforma en una señal eléctrica. Esta señal se visualiza a través de un indicador digital.

4.2 Volumen de suministro

Comparar mediante el albarán si se han entregado todas las piezas.

5. Transporte, embalaje y almacenamiento

5.1 Transporte

Comprobar si el manómetro digital presenta eventuales daños causados en el transporte. Notificar daños obvios de forma inmediata.

5.2 Embalaje

No quitar el embalaje hasta justo antes del montaje.

Guardar el embalaje ya que es la protección ideal durante el transporte (por ejemplo si el lugar de instalación cambia o si se envía el instrumento para posibles reparaciones).

5.3 Almacenamiento

Condiciones admisibles en el lugar de almacenamiento:

- Temperatura de almacenamiento: -20 ... +70 °C
- Humedad: < 90 % relativa, sin condensación



¡ADVERTENCIA!

Antes de almacenar el manómetro digital (después del funcionamiento), eliminar todos los restos de medios adheridos. Esto es especialmente importante cuando el medio es nocivo para la salud, como p. ej. cáustico, tóxico, cancerígeno, radioactivo, etc.

6. Puesta en servicio, funcionamiento

6. Puesta en servicio, funcionamiento



¡CUIDADO!

Comprobar el manómetro digital visualmente antes de utilizarlo.

Utilizar el manómetro digital sólo si encuentra en condiciones de funcionamiento absolutamente seguras.



Herramienta necesaria: Llave de boca (ancho 27)

E

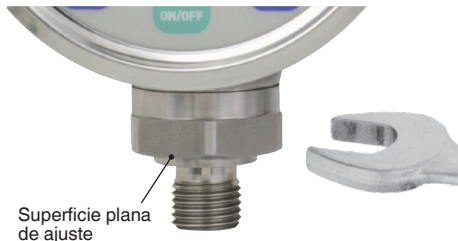
6.1 Montaje mecánico

- Las superficies de obturación en el instrumento y en el punto de medición deben estar libres de suciedad.
- Para atornillar el instrumento, la fuerza necesaria debe aplicarse, mediante el uso de herramientas adecuadas, sólo sobre las superficies planas de ajuste previstas para este fin, y no a través de la caja.

El par de giro correcto depende de la dimensión de la conexión así como de la junta utilizada (forma/material).

No forzar la conexión a proceso ni exceder los momentos permitidos.

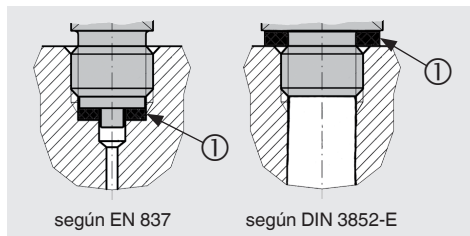
- No bloquear las vueltas de la rosca al enroscar.
- Las indicaciones sobre taladros para roscar y para soldar están en nuestra información técnica IN 00.14 en www.wika.es.



6. Puesta en servicio, funcionamiento

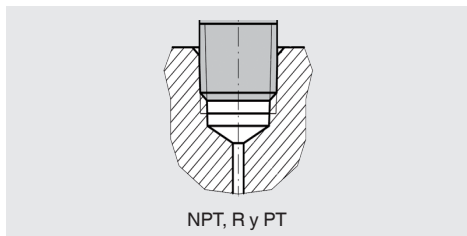
Sellado de la conexión a proceso

Roscas cilíndricas



Para el sellado de las conexiones al proceso con roscas cilíndricas en la superficie de obturación ① se deben instalar juntas planas, arandelas o juntas perfiladas WIKA.

Rosca cónica



Para sellar las conexiones a proceso de forma cónica, el sellado se realiza en la rosca con material suplementario, como por ejemplo, cinta PTFE (EN 837-2).

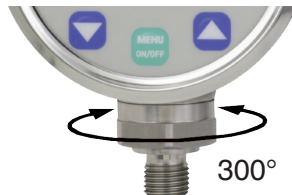


Para notas acerca de las juntas, véase la hoja técnica WIKA AC 09.08 o www.wika.es.

Capacidad de rotación de la caja

La caja modelo DG-10-E puede girarse 300° permitiendo la lectura de la pantalla desde prácticamente todas las posiciones.

No forzar la caja más allá del tope al girarla.



6. Puesta en servicio, funcionamiento

6.2 Alimentación de corriente

Dos pilas AA de 1,5 V sirven como alimentación de corriente al manómetro digital.

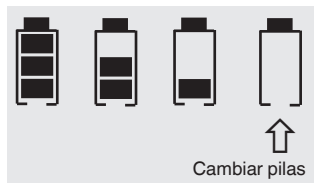
La duración de servicio es de aprox. 4.000 horas con el uso de las pilas con una capacidad de 2.000 mAh.

Estado de carga de las pilas

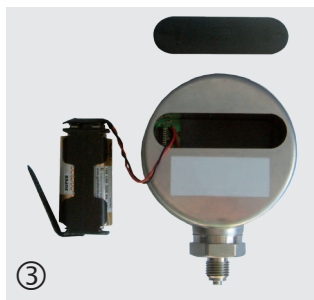
El estado de carga de las pilas se visualiza en la pantalla con el símbolo de una pila (véase capítulo 6.3. "Descripción del indicador digital").

E

Cambiar las pilas como se indica a continuación en cuanto el símbolo de la pila no tenga más barras y parpadee.



Retirar la tapa.



Con ayuda de la lengüeta, quitar la cámara para pilas y cambiar las pilas.

Cerrar el instrumento de nuevo en el orden contrario.

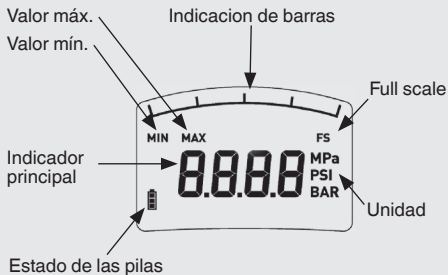
6. Puesta en servicio, funcionamiento

6.3 Descripción del indicador digital

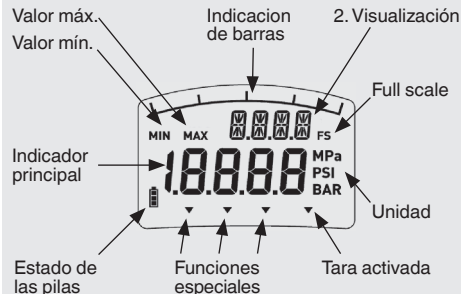
	Modelo DG-10-S	Modelo DG-10-E
Tipo de indicador	LCD de 7 segmentos	LCD de 7 segmentos LCD de 14 segmentos (2. Visualización)
■ Posición	4 dígitos	4 ½ dígitos
■ Altura de cifras	11 mm	11 mm y 7 mm
■ Rango de indicación de la pantalla	-1999 ... 9999	-1999 ... 19999
■ Actualización	200 ms	200 ms
■ Iluminación de fondo	No	Sí
■ Indicación gráfica con función de indicador de seguimiento	Sí	Sí
■ Capacidad de rotación	No	300°

E

Modelo DG-10-S



Modelo DG-10-E



6. Puesta en servicio, funcionamiento

Iluminación de fondo (modelo DG-10-E)

El modelo DG-10-E dispone de una iluminación de fondo para leer bien la pantalla en condiciones de luz desfavorables.

Tras presionar una tecla, se ilumina la pantalla durante 7 segundos.

El encendido y apagado de la iluminación de fondo se realiza a través del punto "LIGH" en el menú. Véase capítulo 6.4 "Guía de menú en modo de programación del modelo DG-10-E".



E

6.4 Teclas y funciones

Funcionamiento	Modelo DG-10-S	Modelo DG-10-E
Memoria MIN/MAX	Sí	Sí
Desconexión automática	No	15, 30, 60, 120 minutos
Función Tara	No	Sí
Conmutación de la unidad	bar, psi, MPa	bar, psi, MPa
Protección por contraseña	No	Sí
Restablecimiento de los ajustes de fábrica	No	Sí

Barra gráfica con función de indicador de seguimiento

La barra gráfica con función de indicador de seguimiento adicionalmente integrada en el indicador muestra la tendencia de la presión actual independientemente del indicador digital. Mediante la función de indicador de seguimiento, se visualiza el valor máximo guardado, además de en el indicador digital, en la barra gráfica en forma de un segmento de barra. Este segmento de barra se actualiza mostrando el valor medido actual al restablecer el valor MIN/MAX.

6. Puesta en servicio, funcionamiento

Memoria MIN/MAX

La memoria MIN/MAX actualiza el valor medido actual en cada ciclo de medición.

Función Tara "TARA" (modelo DG-10-E)

En este modo se visualiza constantemente en el indicador principal la desviación positiva del valor de medida del valor tarado (máx. 20 % del rango de medida). El valor no tarado se representa a través de la barra gráfica permitiendo la lectura de la utilización real del manómetro digital.

La función tara se puede activar de las siguientes maneras:

- Seleccionar la función tara "TARA" a través del menú. Ajustar el valor tarado utilizando las flechas. El valor a tarar ajustado se almacena como tara tras guardar.
- Cargar el manómetro digital con la presión a tarar. En el indicador principal aparece el valor actual de medida. Seleccionar la función tara "TARA" a través del menú y pulsar simultáneamente las dos flechas. El valor actual de medida se almacena como tara. El indicador principal y el secundario se establecen a "0000".

La función tara se restablece en ambas variantes ajustando el valor de tara a "0000".

E

6. Puesta en servicio, funcionamiento

Función de las teclas en el modo de funcionamiento



- Enciende o apaga el manómetro digital.
- El instrumento pasa al modo de programación (pulsación durante más de 3 segundos).



Al pulsar, la pantalla muestra el valor máx.



Al pulsar, la pantalla muestra el valor mín.



Restablece el valor máx. a 0.

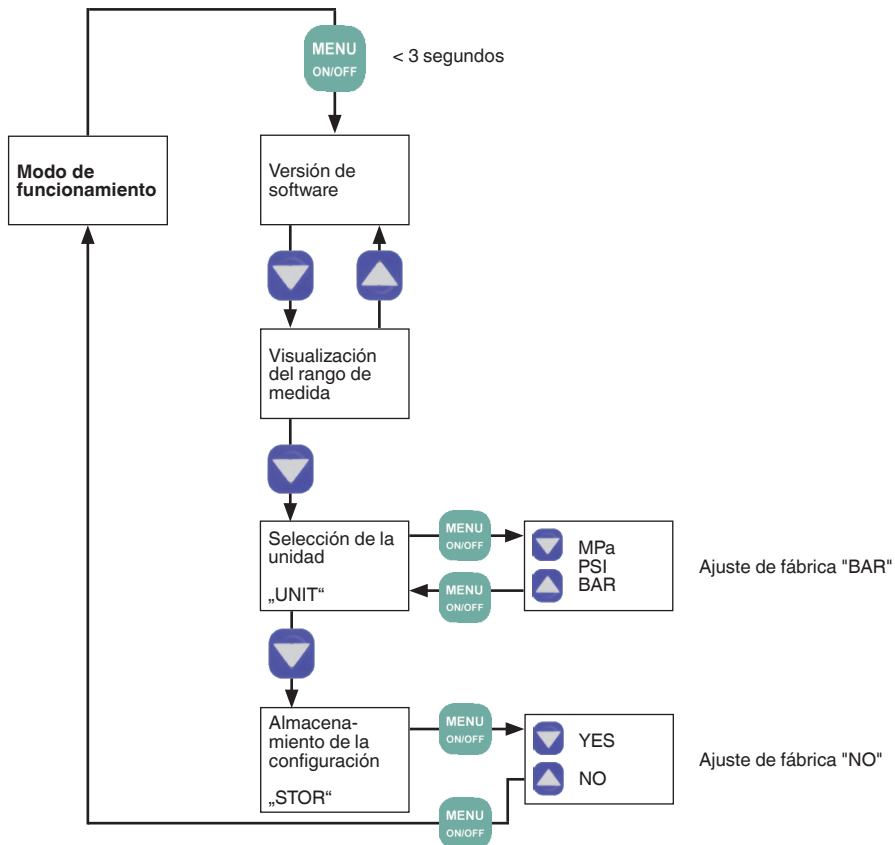


Restablece el valor mín. a 0.

E

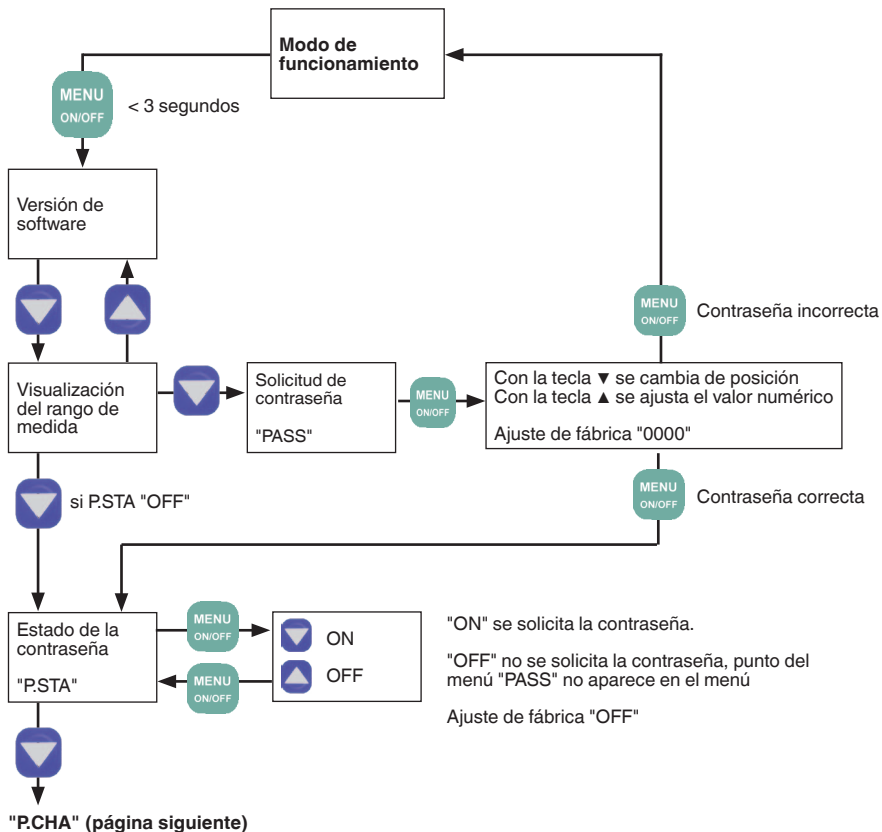
6. Puesta en servicio, funcionamiento

Guía de menú en el modo de programación del modelo DG-10-S

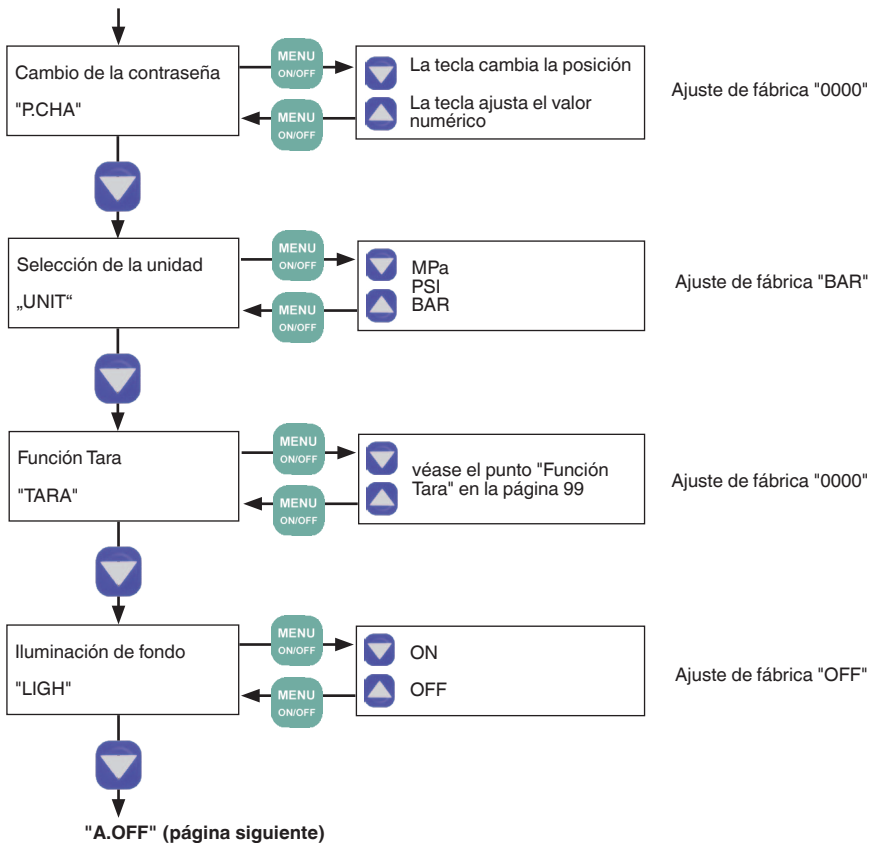


6. Puesta en servicio, funcionamiento

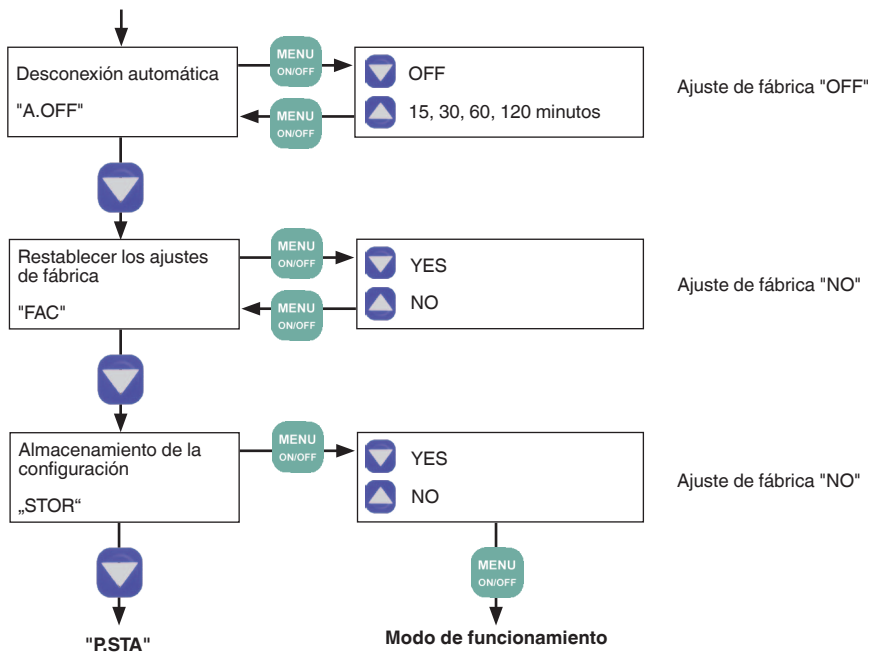
Guía de menú en el modo de programación del modelo DG-10-E



6. Puesta en servicio, funcionamiento



6. Puesta en servicio, funcionamiento



7. Mantenimiento y limpieza

7. Mantenimiento y limpieza

7.1 Mantenimiento

El manómetro digital no requiere mantenimiento.

Todas las reparaciones las debe efectuar únicamente el fabricante.

7.2 Limpieza



¡CUIDADO!

- Antes de proceder con la limpieza hay que separar debidamente el manómetro digital de cualquier fuente de presión.
- Limpiar el instrumento con un trapo húmedo.
- Una vez desmontado el instrumento se debe enjuagar y limpiar antes de devolverlo para proteger a las personas y el medio ambiente contra residuos del medio de medición.
- Medios residuales en instrumentos desmontados pueden causar riesgos para personas, medio ambiente e instalación. Tomar adecuadas medidas de precaución.
- No utilizar ningún objeto puntiagudo o duro para la limpieza.



Véase el capítulo 9.2 "Devolución" para obtener más información acerca de la devolución del instrumento.

E

8. Errores

8. Errores

En caso de averías, verificar en primer lugar la conexión mecánica y eléctrica del manómetro digital.

Errores	Causas	Medidas
No hay indicación	Pilas vacías	Cambiar pilas
El indicador se mantiene a 0 a pesar de que existe presión	Pilas colocadas en los polos erróneos	Colocar pilas en los polos correctos
	Instrumento forzado en el giro	Sustituir el instrumento
La señal de indicación no cambia cuando cambia la presión	Conducto del sensor desgarrado	Sustituir el instrumento
	Sobrecarga mecánica por sobrepresión	
Insuficiente span de señal	Sobrecarga mecánica por sobrepresión	Sustituir el instrumento
Span de señal oscilante	Fuentes de interferencias CEM en el entorno	Eliminar fuentes de interferencias
	Temperaturas de uso excesivas / insuficientes	Observar las temperaturas admisibles
Span de señal impreciso	Temperaturas de uso excesivas / insuficientes	Observar las temperaturas admisibles
	Temperatura del medio o ambiente demasiado alta / baja	Observar las temperaturas admisibles

En caso de reclamar una garantía sin que ésta esté justificada, facturaremos los gastos de tramitación de la reclamación.



¡CUIDADO!

Si no es posible eliminar los errores mediante las medidas arriba mencionadas, poner inmediatamente el instrumento fuera de servicio; asegurarse de que ya no esté sometido a ninguna presión o señal y proteger el manómetro digital contra una puesta en servicio accidental o errónea. En este caso ponerse en contacto con el fabricante. Si desea devolver el instrumento, observar las indicaciones en el capítulo 9.2 "Devolución".

9. Desmontaje, devolución y eliminación de residuos

9. Desmontaje, devolución y eliminación de residuos



¡ADVERTENCIA!

Medios residuales en transmisores de presión desmontados pueden causar riesgos para personas, medio ambiente e instalación.

Tomar adecuadas medidas de precaución.

9.1 Desmontaje

¡Desmontar el manómetro digital sólo si no está sometido a presión!

9.2 Devolución



¡ADVERTENCIA!

Es imprescindible observar lo siguiente para el envío del manómetro digital:

Todos los manómetros digitales enviados a WIKA deben estar libres de sustancias peligrosas (ácidos, lejías, soluciones, etc.).

Utilizar el embalaje original o un embalaje adecuado para la devolución del instrumento.



Comentarios sobre el procedimiento de las devoluciones encuentra en el apartado "Servicio" en nuestra página web local.

9.3 Eliminación de residuos

Una eliminación incorrecta puede provocar peligros para el medio ambiente.

Eliminar los componentes de los instrumentos y los materiales de embalaje conforme a los reglamentos relativos al tratamiento de residuos y eliminación vigentes en el país de utilización.

10. Accesorios

10. Accesorios

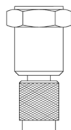
Descripción

N° de pedido



Tapa protectora de goma (negra)

11262010



Racor Minimesh

9072314

Resistencia a la presión máxima de 630 bares



Junta para conexión según DIN 3852-E

Material NBR

Tamaño de rosca

G ¼ A

1537857

E



Déclaration de Conformité CE

Declaración de Conformidad CE

Document No.:

Documento Nº:

11276721.02

11276721.02

Nous déclarons sous notre seule responsabilité que les appareils marqués CE

Declaramos bajo nuestra sola responsabilidad, que los equipos marcados CE

Type:

Modelo:

DG-10

DG-10

Description:

Descripción:

Manomètre digital pour applications industrielles générales

Manómetro digital para aplicaciones industriales generales

selon fiche technique valide:

según ficha técnica en vigor:

PE 81.66

PE 81.66

sont conformes aux exigences essentielles de sécurité de la (les) directive(s).

cumplen con los requerimientos esenciales de seguridad de las Directivas.

2004/108/CE (CEM)
97/23/CE (DESP)⁽¹⁾

2004/108/CE (CEM)
97/23/CE (DEP)⁽¹⁾

Les appareils ont été vérifiés suivant les normes:

Los dispositivos han sido verificados de acuerdo a las normas:

EN 61326-1:2006
EN 61326-2-3:2006

EN 61326-1:2006
EN 61326-2-3:2006

⁽¹⁾ PS > 200 bar; Module A, accessoires sous pression

⁽¹⁾ PS > 200 bar; Módulo A, accesorios a presión

Signé à l'intention et au nom de / Firmado en nombre y por cuenta de

WIKA Alexander Wiegand SE & Co. KG

Klingenberg, 2011-09-06

Ressort / División de la compañía: TRONIC

Management de la qualité / Gestión de calidad: TRONIC

Stefan Richter

Signature, autorisée par l'entreprise / Firma autorizada por el emisor

Steffen Schlesiona

Europe

Austria

WIKA Messgerätevertrieb
Ursula Wiegand GmbH & Co. KG
1230 Vienna
Tel. (+43) 1 86916-31
Fax: (+43) 1 86916-34
E-mail: info@wika.at
www.wika.at

Belarus

WIKA Belarus
Ul. Zaharova 50B
Office 3H
220088 Minsk
Tel. (+375) 17-294 57 11
Fax: (+375) 17-294 57 11
E-mail: info@wika.by
www.wika.by

Benelux

WIKA Benelux
6101 WX Echt
Tel. (+31) 475 535-500
Fax: (+31) 475 535-446
E-mail: info@wika.nl
www.wika.nl

Bulgaria

WIKA Bulgaria EOOD
Bul. „Al. Stamboliiski“ 205
1309 Sofia
Tel. (+359) 2 82138-10
Fax: (+359) 2 82138-13
E-mail: t.antonov@wika.bg

Croatia

WIKA Croatia d.o.o.
Hrastovicka 19
10250 Zagreb-Lucko
Tel. (+385) 1 6531034
Fax: (+385) 1 6531357
E-mail: info@wika.hr
www.wika.hr

Finland

WIKA Finland Oy
00210 Helsinki
Tel. (+358) 9-682 49 20
Fax: (+358) 9-682 49 270
E-mail: info@wika.fi
www.wika.fi

France

WIKA Instruments s.a.r.l.
95610 Eragny-sur-Oise
Tel. (+33) 1 343084-84
Fax: (+33) 1 343084-94
E-mail: info@wika.fr
www.wika.fr

Germany

WIKA Alexander Wiegand
SE & Co. KG
63911 Klingenberg
Tel. (+49) 9372 132-0
Fax: (+49) 9372 132-406
E-mail: info@wika.de
www.wika.de

Italy

WIKA Italia Srl & C. Sas
20020 Arese (Milano)
Tel. (+39) 02 9386-11
Fax: (+39) 02 9386-174
E-mail: info@wika.it
www.wika.it

Poland

WIKA Polska spółka z ograniczoną
odpowiedzialnością sp. k.
87-800 Włocławek
Tel. (+48) 542 3011-00
Fax: (+48) 542 3011-01
E-mail: info@wikapolska.pl
www.wikapolska.pl

Romania

WIKA Instruments Romania S.R.L.
Bucuresti, Sector 5
Calea Rahovei Nr. 266-268
Corp 61, Etaj 1
Tel. (+40) 21 4048327
Fax: (+40) 21 4563137
E-mail: m.anghel@wika.ro
www.wika.ro

Russia

ZAO WIKA MERA
127015 Moscow
Tel. (+7) 495-648 01 80
Fax: (+7) 495-648 01 81
E-mail: info@wika.ru
www.wika.ru

WIKA subsidiaries worldwide can be found online at www.wika.com.
WIKA Niederlassungen weltweit finden Sie online unter www.wika.de.
La liste des filiales WIKA dans le monde se trouve sur www.wika.fr.
Sucursales WIKA en todo el mundo puede encontrar en www.wika.es.



WIKAL Alexander Wiegand SE & Co. KG

Alexander-Wiegand-Straße 30
63911 Klingenberg • Germany

Tel. (+49) 9372/132-0

Fax (+49) 9372/132-406

E-Mail info@wika.de

www.wika.de